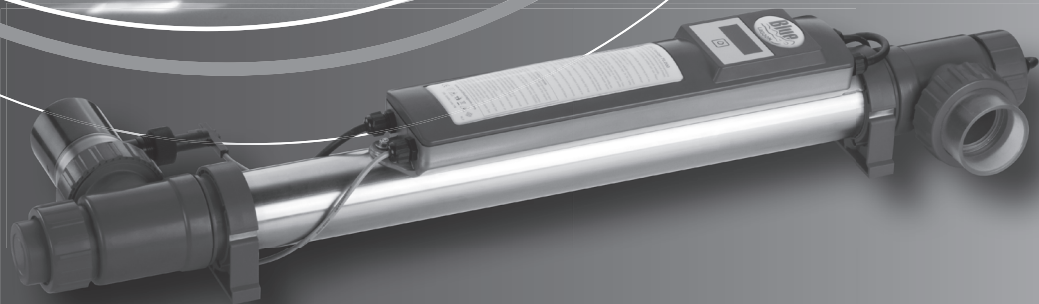


Blue lagoon



UV-C TIMER 150.000
130 WATT AMALGAM

Please read through these instructions for use carefully before installing this device.

Operation

In the Blue Lagoon UV-C Timer, a UV-C radiation with a wavelength of 253.7 nm is generated by the special Philips UV lamp, ensuring a lethal effect on bacteria (including Legionella bacteria). The Blue Lagoon UV-C Timer will ensure that your pool water is clean, fresh and clear in an efficient and environmentally-friendly manner. The water is led through the UV-C device via a pump. The UV-C radiation neutralises bacteria, viruses and other primitive organisms and stops them from multiplying. The amalgam lamp is not affected by changes in the temperature of the water, and has a constant, powerful radiation output of 50 Watt UV-C. Amalgam UV-C is recognized as the strongest UV-C light that can be obtained in the UV-C market. The Blue Lagoon UV-C Timer has a built-in high-frequency electronic ballast, which absorbs current fluctuations, thereby protecting the lamp. In addition, the device contains an integrated time meter that accurately monitors the number of operating hours. You can therefore see exactly when the lamp must be replaced. In addition, the stainless steel interior ensures the reflection of the UV-C rays, thereby increasing the efficiency up to 35%. Thanks to the Blue Lagoon UV-C Timer, your swimming pool water will be disinfected efficiently and safely, and the quality of your water will remain excellent. Fitted with universal connectors. The device can be connected by means of a PVC tube (Ø 50 and 63 mm).

Advantages of UV-C treatment:

- Ensures fresh, clean and clear water
- Disinfects water efficiently and safely
- Bound chlorine is broken down by UV-C light
- Protects your pool from germs
- Keeps the formation of mould, bacteria and algae under control
- Can reduce the use of chlorine and other chemicals up to 80%
- Prevents the smell of chlorine and irritation to the skin and eyes (red eyes)
- More environmentally-friendly than traditional methods

Advantages of the Blue Lagoon UV-C Timer:

- Built-in electronic pre-selector to ensure a smooth power supply
- Has a flow switch that switches the machine off as soon as no water flow-through is detected.
- Up to 35% more UV-C yield as a result of reflection
- Has a 50 Watt UV-C output.
- Includes a Philips UV-C lamp
- Integrated adjustable time meter for the UV-C lamp
- Digital indication when the lamp needs replacing
- 316L stainless steel housing
- Easy installation and maintenance
- 2-year guarantee with respect to manufacturing faults
- Earthed
- Ø 63mm to Ø 50mm adapters included in delivery

Safety

This device produces harmful radiation. Direct contact could impair the eyes and skin. Only check the operation of the UV-C lamp through the transparent components of the unit.

- Always plug the device into a socket with a protective cover
- Always comply with the electricity company's regulations with regard to any permanent connection to the mains. If there is any doubt regarding the connection, consult a recognised fitter or the electricity company. Always work with a residual current-operated circuit-breaker.
- The device must be switched off if water treatment agents or medication are used.
- Always remove the plug from the socket before carrying out any maintenance or repair work on the unit. Never insert the plug / pull the plug from the socket when you are standing in water or if your hands are wet.
- Never submerge this device in water.
- Never install the unit in an area subject to full sunlight.
- Keep children away from this device and from the cable.
- The cable of the device cannot be replaced. The complete electrical unit must be replaced if there is any damage to the power cable. Never

- remove the plug; leave the electrical unit intact. An electrical unit with the plug removed will no longer be covered by the guarantee.
- Once the device has been switched off, the lamp will remain hot for approximately 10 minutes.
- Do not use the device if any of the components are damaged (in particular the quartz glass).
- Remove the device if there is a risk of freezing during the winter months.
- The stainless steel housing of the device is not suitable for salt water baths with a high salt content. If the salt content is too high, the steel will oxidise and damage the housing. Always install the device immediately behind the filter.
- This product can only be used according to the guidelines described in these instructions for use.

Installation of the earth (Drawing 1)

- 1 Pull the cable (B) through the strain relief (F) before fitting the synthetic strain relief (F) onto the earth bolt (A). Position the strain relief (F) at approximately 10 cm from the eye (H) of the earth cable (B).
- 2 Place the eye (H) of the cable (B) onto the earth bolt (A) that is fitted to the housing.
- 3 Then place a toothed lock washer (C), a hexagon nut (D) and another toothed lock washer (E) on top of the eye (H).
- 4 Fit the strain relief (F) on top, creating a loop of Ø 5 cm.
- 5 Finally place the lock nut (G) onto the earth bolt (A).
- 6 Once the various nuts have been placed onto the earth bolt (A) in the correct sequence, they can be tightened with a spanner or a ring spanner number 8. Do not tighten too firmly, otherwise you may crack the strain relief. (The transparent nut that was screwed on the earth bolt (A) on delivery has no further use, and can be discarded).

Installation of the device (Drawing 2)

The Blue Lagoon UV-C Timer must never be installed behind the Ph regulator or the salt electrolysis system in your swimming pool installation. The ideal location to install your device is behind the pump and the filter. Never submerge this device in water. The installation must always take place outside of the pool. Make sure to leave a free area of +/- 1 metre in order to be able to remove the lamp (K) / quartz glass (M) for the purpose of replacement and/or maintenance.

- 1 The device must always be fitted in the vertical position.
- 2 Unscrew the screw ring (N) from the housing (U). Remove the UV-C lamp (K) from the supplied case (see packaging) and carefully slide the lamp into the quartz glass (M). Carefully connect the white lamp holder (L) to the UV-C lamp (K) and then screw the screw ring (N) hand-tight onto the housing (U).
- 3 The glued socket for the flow switch (V) must be glued onto the three-part coupling (I) with the screw thread (W) pointing upwards (see Drawing 2). You can glue the glued socket (V) to the bottom three-part coupling (I). Fit the flow switch (X), which is attached to the electronic pre-selector (S), perpendicular to the screw thread (U) of the glued socket (V) (see Drawing 2). The device will not work if the flow switch is mounted differently. The arrow on top of the flow switch (X) must always point in the direction in which the water is flowing. The Blue Lagoon UV-C Amalgam will not switch on if the flow switch is pointing in the opposite direction (against the flow of the water).
- 4 Fit the supplied pipe clips (O) in fixed positions, press the unit into the pipe clips and tighten the three-part coupling (I). Pay hereby attention to the correct position of the sealing rings (P), both with regard to the connections and the quartz glass (see drawing 2).
- 5 Fit the unit into the circuit using the three-part coupling (I) and the glued socket for the flow switch (V). The inlet and outlet of the three-part coupling is Ø 63 mm. If your pipes are smaller than 63 mm, you can use the adapter (Ø 63 x Ø 50 mm) (T). You can apply glue to the three-part coupling (I) and into the glued socket for the flow switch (V). On one side of the adapter (T), there is a screw thread on the inside giving the option of fitting an adapter, with a sealing ring (not included in the delivery), onto it if necessary.
- 6 Activate the pump and check the flow and any leakage of the system.
- 7 Put the plug of the UV-C device in a wall socket with a safety ground and fitted with a residual current circuit-breaker. Check whether the lamp is operating by looking through the transparent components of the unit. The unit is switched off by pulling the plug out of the socket.
- 8 The flow switch will automatically switch the device off if no water is flowing through it. You can switch the device off permanently by pulling the plug from the socket.

Instructions for use of the digital time meter

As soon as the Blue Lagoon UV-C Timer is switched on, the program will carry out a self-test. The display will automatically show the following, one after the other: 8888 (display test); r and software version number; 50H or 60H indication of the mains frequency. Following this, the display will show the meter reading.

When the UVC lamp is switched on for the first time, or after the "reset" function has been used, the value '4500' will appear on the display. A dot next to the digit on the far right of the display will blink every second; this indicates that the counter is running. The display is automatically set to the factory reading of 4,500 hours. The UV-C lamp operates at 100% radiation for up to 4,500 hours. After 4,500 hours, the radiation will weaken, and may become insufficient to obtain the desired results.

If the UV-C lamp had already been used previously, and is switched on again, the display will indicate the value it had at the time it was switched off earlier. If you had increased or reduced the value of the time meter yourself, the display will indicate the latest counter reading it had before it was switched off.

The settings of the time meter can be modified if you wish. This is carried out as follows:

After holding down the switch (R) underneath the display for 5 seconds, the display will show "rSt", to indicate that the user menu has been selected. Once the switch (R) has been released, the meter indication and "rSt" will blink alternately on the display. By briefly pressing the switch again, it is now possible to step through the menu options. There are 3 available setting options in the menu: "rSt" "UP" and "dn".

- "rSt" means (reset): This option enables you to reset the meter indication to the factory setting of 4,500 hours.

This selection is confirmed if the meter indication and "rSt" on the display blink alternately. If you hold down the switch (R) for 5 seconds, after which the meter indication 4500 will be displayed, and then release it, the time meter will start counting down from the 4,500 hour value. This selection is used if, for example, you have replaced the lamp, or if you have modified the meter indication yourself and you want to return it to the factory settings.

- "UP" means (up): This option enables you to increase the meter indication to the desired hour indication.

This selection is confirmed if the selected user setting "UP" and the meter indication on the display blink alternately. Following this, press the switch (R) down for 5 seconds. After 5 seconds, the display will only indicate "UP". You can then release the switch.

By briefly pressing the switch, the counter value can now be increased in steps of 500 hours from the value of 4500 up to a maximum value of 9999. The increased value and "UP" will blink alternately on the display.

After you have selected the desired hour indication, wait for 10 seconds. After 10 seconds, the selected hour indication will be displayed and the timer will start counting down.

If you make a mistake while increasing the meter indication, it is possible to reset the counter to 4500 by keeping the switch pressed down for 5 seconds. The counter value will then be reset to 4500, and a new value can be set.

- "dn" means (down): This option enables you to decrease the meter indication to the desired hour indication.

This selection is confirmed if the selected user setting "dn" and the meter indication on the display blink alternately. Following this, press the switch (R) down for 5 seconds. After 5 seconds, the display will only indicate "dn". You can then release the switch.

By briefly pressing the switch, the counter value can now be decreased in steps of 500 hours from the value of 4500 down to a minimum value of 0000. The decreased value and "dn" will blink alternately on the display.

Once you have selected the desired hour indication, wait for 10 seconds. After 10 seconds, the selected hour indication will be displayed and the timer will start counting down.

If you make a mistake while decreasing the meter indication, it is possible to reset the counter to 4500 by keeping the switch pressed down for 5 seconds. The counter value will then be reset to 4500, and a new value can be set.

The time meter will indicate in the following manner that the lamp must be replaced:

- From hour position 0672; the display will blink every second. The lamp is to be replaced in 4 weeks' time.
- From hour position 0336; the display will blink every half second; The lamp is to be replaced in 2 weeks' time.
- From hour position 0168; the display will blink every ¼ second; The lamp is to be replaced in 1 week's time.
- At an hour position of 0000; the digits will blink continuously, and the meter will not continue to count down. The lamp must be replaced.

Dismantling / Maintenance

Always switch off the power supply during maintenance/dismantling of the device.

The device must be cleaned twice a year. If there is an increase in algae and/or scale, the quartz glass tube (M) in which the lamp is positioned must be cleaned. The special lamp must be replaced at the latest after 4,500 operating hours. The stainless steel interior can be cleaned with a soft brush.

- 1 Unscrew the three-part couplings (I) and drain the water from the device.
- 2 Unscrew the screw cap (N) and disconnect the lamp (K) from the lamp holder (L). Remove the lamp from the quartz glass and, if necessary, replace the special lamp (K). As these parts are very fragile, caution is essential.
- 3 Carefully remove the quartz glass (M) using a large, flat screwdriver (see drawing 3). Never use force!
- 4 Clean the quartz glass with a suitable agent. Always use a soft cloth to clean the glass in order to prevent scratches.
- 5 Pay attention to the correct position of the 3 sealing rings (P) when replacing the quartz glass in the housing, and carefully introduce the end of the quartz glass into the inlet (Q) (see drawing 4). Never use force!
- 6 Carefully replace the lamp in the quartz glass and connect the lamp (K) to the lamp holder (L). Screw the screw cap (N) onto the housing again.
- 7 The electrical unit of the device is situated in the display box (S) on the device. This display box is glued and cannot be opened. If the

electrical unit or the display is replaced, the entire box must be unscrewed and the wiring must be disconnected from the device (see drawing 1). Unscrew the screw top (N) and carefully remove the lamp holder from the lamp. Any loose parts, i.e. of the earth etc., must be carefully retained, as they are not supplied with a new housing or electrical unit. In case of any doubt with regard to the connection, consult a recognised fitter.

- 8 If the housing needs replacing, the earth (J) and the electrical unit with the display (S) must first be disconnected from the housing (U) (see drawings 1 & 2). Unscrew the electrical unit with display (S) and the lamp holder from the housing. Be sure to carefully retain the various loose parts of the earth, as they are not supplied with a new housing. Remove the lamp (K) and quartz glass (M) from the housing in order to prevent breakage during transport. In case of any doubt with regard to the connection, consult a recognised fitter.
- 9 Disconnect the flow switch from the glued socket. Unscrew the three-part couplings and remove the housing from the pipe clips.

Technical specifications

• Philips TUV T5 lamp	130 Watt
• UV-C output (W)	50 Watt
• UV-C (%) after 4,500 hours	85%
• Swimming pool content (l)	150.000 l
• Max. throughput	30.000 l/h
• Max. pressure	3 bar
• Connection size	Ø63 mm
• Length of the device	100 cm

UV-C system types

Article number: B210006 Blue Lagoon UV-C Timer 150,000 l / 130 Watt (230V; 50/60Hz)

Replacement lamps

Article number: E800904 Lamp type TUV 130 Watt 4P-SE Amalgam (130 Watt)

Terms of guarantee

You have made an excellent choice in selecting this product. The device has been assembled carefully and in compliance with all applicable safety regulations. For reasons of quality, the supplier has only made use of high-quality materials, and provides a guarantee for the device covering material and manufacturing faults for a period of 2 years from the date of purchase. The lamp and the quartz glass are not included in this guarantee. Claims under the guarantee can only be considered if the product is returned post-paid together with a valid purchase receipt. Repairs under the guarantee may exclusively be carried out by the supplier.

Guarantee claims that are caused by errors in the installation or operation of the device will not be considered. Defects originating from poor maintenance are also excluded from the guarantee. The supplier will in no way whatsoever be held responsible for any damage caused by the incorrect operation of the product. The supplier will not be liable for any consequential damage caused by the breakdown of the device.

Complaints regarding transportation damage will only be considered if the damage was established or confirmed on delivery by the carrier or the postal authorities. A claim can only be made against the carrier or the postal authorities if this has been done.

Blue Lagoon UV-C Timer 150.000 Amalgam

D

Lesen Sie diese Gebrauchsanweisung vor dem Installieren des Geräts sorgfältig durch.

Funktionsweise

Im Blue Lagoon UV-C Timer erzeugt die Philips-UV-Speziellampe eine UV-C-Strahlung von 253,7 nm Wellenlänge, die eine bakterientötende Wirkung (u.a. Legionella-Bakterie) hat. Der Blue Lagoon UV-C Timer sorgt auf effiziente und umweltfreundliche Weise für sauberes, frisches und klares Wasser. Das Wasser wird mit einer Pumpe durch das UV-C-Gerät geführt. Die UV-C-Strahlung neutralisiert Bakterien, Viren und andere primitive Organismen und verhindert ihre Fortpflanzung. Die Amalgamlampe ist unempfindlich gegen Schwankungen der Wassertemperatur und bewirkt eine konstante, starke Strahlung von 50 Watt UV-C-Leistung. Amalgam UV-C gilt als das stärkste UV-C-Licht, das auf dem UV-C-Markt erhältlich ist. Der Blue Lagoon UV-C Timer hat einen eingebauten hochfrequenten elektronischen Ballast. Dieser Ballast nimmt Stromschwankungen auf und schützt dadurch die Lampe. Außerdem verfügt das Gerät über einen integrierten Stundenzähler, der die Zahl der Brennstunden exakt registriert. So können Sie genau sehen, wann die Lampe ausgetauscht werden muss. Außerdem bewirkt die Edelstahl-Innenseite eine Reflexion der UV-C-Strahlung und erhöht so die Effizienz um bis zu 35%. Mit dem Blue Lagoon UV-C Timer wird Ihr Wasser auf effiziente und sichere Weise desinfiziert, und die Wasserqualität bleibt hervorragend. Enthält Universal-Anschlussstücke. Das Gerät kann mit einem PVC-Rohr (Ø 50 und 63 mm) angeschlossen werden.

Vorteile der UV-C-Behandlung:

- Sorgt für frisches, sauberes und klares Wasser
- Desinfiziert das Wasser auf effiziente und sichere Weise
- UV-C-Licht baut gebundenes Chlor ab
- Schützt Ihr Bad vor Krankheitserregern
- Hält Schimmel-, Bakterien- und Algenbildung unter Kontrolle
- Kann den Einsatz von Chlor und anderen Chemikalien um bis zu 80% verringern
- Verhindert Chlorgeruch und Reizungen an Haut und Augen (rote Augen)
- Besser für die Umwelt als herkömmliche Methoden

Vorteile des Blue Lagoon UV-C Timer:

- Eingebautes elektronisches Vorschaltgerät für eine gleichmäßige Stromversorgung
- Hat einen Durchflussschalter, der das Gerät abschaltet, sobald kein Wasser hindurch strömt
- Bis zu 35% mehr UV-C-Ertrag durch Reflexion
- Hat eine UV-C-Leistung von 50 Watt
- Ausgestattet mit einer Philips-UV-C-Lampe
- Integrierter, einstellbarer Stundenzähler für die UV-C-Lampe
- Zeigt digital an, wann die Lampe ausgetauscht werden muss
- 316L-Edelstahl-Gehäuse
- Einfache Installation und Wartung
- 2 Jahre Garantie auf Herstellungsfehler
- Geerdet
- Reduzierstücke (von Ø 63 mm auf Ø 50 mm) werden mitgeliefert

Sicherheit

Dieses Gerät erzeugt schädliche Strahlen. Direkter Kontakt kann für Augen und Haut gefährlich sein. Die Funktion der UV-C-Lampe nur über die transparenten Teile des Geräts prüfen.

- Den Gerätestecker immer in eine Steckdose mit Schutzdeckel stecken.
- Für einen permanenten Anschluss an das Stromnetz müssen die Vorschriften des Energieunternehmens erfüllt werden. Im Zweifelsfall einen anerkannten Installateur oder das Energieunternehmen zu Rate ziehen. Grundsätzlich einen Erdschlussschalter verwenden.
- Bei Einsatz von Wasserbehandlungsmitteln oder Medikamenten muss das Gerät abgeschaltet werden.
- Immer den Stecker aus der Steckdose ziehen, bevor Wartungs- oder Reparaturarbeiten am Gerät vorgenommen werden. Den Stecker nie in die Steckdose stecken bzw. aus der Steckdose ziehen, wenn Sie in einer Pfütze stehen oder nasse Hände haben.
- Das Gerät auf keinen Fall unter Wasser tauchen.
- Das Gerät nicht an einer Stelle installieren, wo es der vollen Sonne ausgesetzt ist.
- Kinder von Gerät und Kabel fernhalten.
- Das Kabel dieses Geräts kann nicht ausgetauscht werden. Bei Beschädigung des Stromkabels muss der gesamte elektrische Teil des Geräts

ausgetauscht werden. Den Stecker nie entfernen, sondern den elektrischen Teil unversehrt lassen. Wenn der Stecker abgeschnitten wurde, fällt der elektrische Teil nicht unter die Garantie.

- Nach Ausschalten des Geräts bleibt die Lampe noch ca. 10 Minuten warm.
- Wenn Teile (insbesondere das Quarzglas) beschädigt sind, darf das Gerät nicht benutzt werden.
- Bei Einfriergefahr in den Wintermonaten das Gerät entfernen.
- Das Edelstahlgehäuse des Geräts ist nicht für Salzwasserbäder mit hohem Salzgehalt geeignet. Bei zu hohem Salzgehalt oxidiert der Stahl und das Gehäuse wird beschädigt. Das Gerät unmittelbar nach dem Filter anordnen.
- Dieses Produkt darf nur den in dieser Gebrauchsanweisung beschriebenen Richtlinien entsprechend eingesetzt werden.

Installation der Erdung (Zeichnung 1)

- 1 Bevor Sie die Kunststoff-Zugentlastung (F) am Massebolzen (A) anbringen, müssen Sie erst das Kabel (B) durch die Zugentlastung (F) ziehen. Die Zugentlastung (F) in ca. 10 cm Abstand zu Öse (H) des Massekabels (B) anbringen.
- 2 Die Öse (H) von Kabel (B) über Massebolzen (A) anbringen, der am Gehäuse befestigt ist.
- 3 Anschließend eine Spanscheibe (C), Sechskantmutter (D) und noch eine Spanscheibe (E) an der Öse (H) anbringen.
- 4 Zugentlastung (F) darauf befestigen, so dass eine Schleife von \varnothing 5 cm entsteht.
- 5 Zuletzt die Sicherungsmutter (G) an Massebolzen (A) anbringen.
- 6 Wenn alle Muttern in der richtigen Reihenfolge an Massebolzen (A) angebracht wurden, kann dieser mit einem 8er Steck- oder Ringschlüssel festgezogen werden. Ziehen Sie den Bolzen nicht zu fest an, weil sonst die Zugentlastung reißen kann. (Die transparente Mutter, die bei Lieferung auf den Massebolzen (A) geschraubt ist, hat keine weitere Funktion und kann weggeworfen werden.)

Installation des Geräts (Zeichnung 2)

Installieren Sie den Blue Lagoon UV-C Timer auf keinen Fall unmittelbar nach dem pH-Regler oder dem Salzelektrolysesystem an Ihrer Schwimmbadanlage. Am besten geeignet für die Installation ist die Stelle unmittelbar nach dem Filter. Das Gerät auf keinen Fall unter Wasser tauchen. Das Gerät immer außerhalb des Schwimmbads installieren. Dafür sorgen, dass ca. 1 Meter Platz bleibt, um Lampe (K)/Quarzglas (M) zu entfernen (für Austausch und/oder Wartung).

- 1 Das Gerät muss immer vertikal befestigt werden.
- 2 Den Schraubring (N) vom Gehäuse (U) abschrauben. Die UV-C-Lampe (K) aus dem mitgelieferten Köcher (siehe Verpackung) nehmen und die Lampe vorsichtig in das Quarzglas (M) schieben. Die weiße Lampenfassung (L) vorsichtig mit der UV-C-Lampe (K) verbinden und anschließend den Schraubring (N) handfest auf das Gehäuse (U) schrauben.
- 3 Die Klebemuffe für den Durchflussschalter (V) muss mit nach oben weisendem Gewinde (W) mit der dreiteiligen Kupplung (I) verklebt werden (siehe Zeichnung 2). Sie können die Klebemuffe (V) mit der unteren dreiteiligen Kupplung (I) verkleben. Den Durchflussschalter (X), der am elektronischen Vorschaltgerät (S) befestigt ist, von oben gerade im Gewinde (U) von Klebemuffe (V) anbringen (siehe Zeichnung 2). Wenn der Durchflussschalter anders montiert wird, funktioniert das Gerät nicht. Der kleine Pfeil oben an Durchflussschalter (X) muss immer in die Strömungsrichtung des Wassers gerichtet sein. Wenn er gegen die Strömungsrichtung des Wassers weist, bleibt das Blue Lagoon UV-C Amalgam-Gerät ausgeschaltet.
- 4 Die mitgelieferten Rohrschellen (O) an einer festen Stelle anbringen, die Einheit in den Rohrschellen befestigen und die dreiteilige Kupplung (I) festziehen. Dabei auf die richtige Position der Dichtringe (P) sowohl an den Anschlüssen als auch am Quarzglas achten (siehe Zeichnung 2).
- 5 Die Einheit mit der dreiteiligen Kupplung (I) und der Klebemuffe für den Durchflussschalter (V) im Kreis anbringen. Ein- und Auslass der dreiteiligen Kupplung haben den Durchmesser \varnothing 63 mm. Wenn Ihre Leitungen kleiner sind als 63 mm, können Sie das Reduzierstück (T) (\varnothing 63 x \varnothing 50 mm) verwenden. Dieses kann mit der dreiteiligen Kupplung (I) und der Klebemuffe für den Durchflussschalter (V) verklebt werden. Reduzierstück (T) hat innen an einer Seite Gewinde, an dem eventuell eine Reduziertülle einschließlich Dichtring (nicht mitgeliefert) montiert werden kann.
- 6 Die Pumpe in Betrieb setzen und das System auf Durchfluss und Dichtheit prüfen.
- 7 Den Stecker des UV-C-Geräts in eine Schukosteckdose mit Erdschlussschalter stecken. Durch die transparenten Teile des Geräts prüfen, ob die Lampe brennt. Um das Gerät auszuschalten, ziehen Sie den Stecker aus der Steckdose.
- 8 Wenn kein Wasser durch das Gerät strömt, schaltet der Durchflussschalter das Gerät automatisch aus. Um das Gerät dauerhaft auszuschalten, ziehen Sie den Stecker aus der Steckdose.

Gebrauchsanweisung für den digitalen Stundenzähler

Wenn der Blue Lagoon UV-C Timer eingeschaltet ist, führt das Programm einen Selbsttest aus. Auf dem Display erscheinen automatisch nacheinander folgende Anzeigen: 8888 (Displaytest); r und Softwareversionsnummer; 50H oder 60H Anzeige der Netzfrequenz
Anschließend erscheint auf dem Display der Zählerstand.

Wenn die UV-C-Lampe das erste Mal eingeschaltet wird oder nachdem die "Reset"-Funktion ausgeführt wurde, erscheint der Wert "4500" auf dem Display. Bei der Ziffer ganz rechts auf dem Display blinkt im Sekundentakt ein Punkt, der anzeigt, dass der Zähler läuft.

Auf dem Display wird automatisch der werkseitig eingestellte Zählerstand von 4500 Stunden angezeigt. Bis 4500 Stunden erreicht die UV-C-Lampe 100% ihrer wirksamen Strahlung. Nach 4500 Stunden wird die Strahlung schwächer und reicht möglicherweise nicht mehr aus, um das gewünschte Ergebnis zu erzielen. Wenn Sie die UV-C-Lampe schon länger verwenden und diese schon einmal eingeschaltet war, zeigt das Display nach dem Einschalten wieder den Wert an, der dort vor dem Ausschalten der UV-C-Lampe stand. Wenn Sie den Stundenzählerstand selbst erhöht oder verringert haben, wird der letzte Zählerstand angezeigt, der vor dem Ausschalten auf dem Display stand.

Sie können die Einstellungen des Stundenzählers ggf. ändern. Dabei gehen Sie folgendermaßen vor:

Wenn Sie den Schalter **(R)** unter dem Display 5 Sekunden eingedrückt halten, erscheint auf dem Display "rSt", um anzuzeigen, dass das Benutzermenü gewählt wurde. Nach Loslassen des Schalters **(R)** blinken auf dem Display abwechselnd der Zählerstand und "rSt". Wenn jetzt der Schalter kurz eingedrückt wird, werden die Möglichkeiten des Menüs durchlaufen. Das Menü enthält drei Einstellmöglichkeiten: "rSt", "UP" und "dn".

- "rSt" bedeutet (reset): Damit wird der Zählerstand auf die Werkseinstellung von 4500 Stunden zurückgesetzt.

Diese Wahl wird auf dem Display durch abwechselndes Blinken von Zählerstand und "rSt" bestätigt. Wenn Sie den Schalter **(R)** 5 Sekunden eingedrückt halten (Zählerstand 4500 wird angezeigt) und dann wieder loslassen, beginnt der Stundenzähler von der Stundenzahl 4500 aus rückwärts zu zählen. Diese Option wählen Sie, wenn Sie z.B. die Lampe ausgetauscht haben oder wenn Sie den Zählerstand selbst geändert haben und ihn wieder auf die Werkseinstellung zurücksetzen wollen.

- "UP" bedeutet (up): Hiermit können Sie den Zählerstand auf den gewünschten Zählerstand erhöhen.

Diese Wahl wird auf dem Display durch abwechselndes Blinken der gewählten Benutzereinstellung "UP" und des Zählerstands bestätigt. Anschließend müssen Sie den Schalter **(R)** 5 Sekunden eingedrückt halten. Nach 5 Sekunden steht auf dem Display nur noch "UP". Jetzt müssen Sie den Schalter loslassen.

Durch kurzes Eindrücken des Schalters kann der Zählerwert ab 4500 in Schritten von 500 Stunden auf maximal 9999 erhöht werden. Der erhöhte Wert blinkt auf dem Display abwechselnd mit "UP".

Wenn der gewünschte Zählerstand erreicht ist, warten Sie 10 Sekunden. Nach 10 Sekunden erscheint die gewählte Stundenzahl, und der Timer beginnt rückwärts zu zählen.

Wenn Sie sich z.B. beim Erhöhen des Zählerstands geirrt haben, können Sie den Zähler wieder auf 4500 zurücksetzen, indem Sie den Schalter 5 Sekunden eingedrückt halten. Der Zählerstand beträgt dann wieder 4500, und es kann ein neuer Wert eingestellt werden.

- "dn" bedeutet (down): Hiermit können Sie den Zählerstand auf die gewünschte Stundenzahl verringern.

Diese Wahl wird auf dem Display durch abwechselndes Blinken der gewählten Benutzereinstellung "dn" und des Zählerstands bestätigt. Anschließend müssen Sie den Schalter **(R)** 5 Sekunden eingedrückt halten. Nach 5 Sekunden steht auf dem Display nur noch "dn". Jetzt müssen Sie den Schalter loslassen.

Durch kurzes Eindrücken des Schalters kann der Zählerstand ab 4500 in Schritten von 500 Stunden auf minimal 0000 verringert werden. Der verringerte Wert blinkt auf dem Display abwechselnd mit "dn".

Wenn der gewünschte Zählerstand erreicht ist, warten Sie 10 Sekunden. Nach 10 Sekunden erscheint die gewählte Stundenzahl, und der Timer beginnt rückwärts zu zählen.

Wenn Sie sich z.B. beim Verringern des Zählerstands geirrt haben, können Sie den Zähler wieder auf 4500 zurücksetzen, indem Sie den Schalter 5 Sekunden eingedrückt halten. Der Zählerstand beträgt dann wieder 4500, und es kann ein neuer Wert eingestellt werden.

Der Stundenzähler zeigt auf die folgende Weise an, dass die Lampe ausgetauscht werden muss.

- Ab Zählerstand 0672: Display blinkt im Sekundentakt. Die Lampe muss in 4 Wochen ausgetauscht werden.

- Ab Zählerstand 0336: Display blinkt alle halbe Sekunde. Die Lampe muss in 2 Wochen ausgetauscht werden.

- Ab Zählerstand 0168: Display blinkt alle 1/4 Sekunde. Die Lampe muss in 1 Woche ausgetauscht werden.

- Bei einem Zählerstand von 0000 blinken die Ziffern in hohem Tempo weiter, und der Zähler zählt nicht mehr zurück. Die Lampe muss ausgetauscht werden.

Demontage/Wartung

Bei Demontage/Wartung des Geräts grundsätzlich erst die Stromzufuhr ausschalten.

Das Gerät muss 2-mal im Jahr gereinigt werden. Wenn Algenwachstum und/oder Kalkablagerungen zunehmen, muss die Quarzglasröhre **(M)**, in der die Lampe steckt, gereinigt werden. Die Speziallampe muss spätestens nach 4500 Brennstunden ausgetauscht werden. Die Edelstahl-Innenverkleidung mit einer weichen Bürste reinigen.

1 Die dreiteiligen Kupplungen **(I)** lösen und das Wasser aus dem Gerät strömen lassen.

2 Den Schraubring **(N)** abschrauben und die Lampe **(K)** von der Lampenfassung **(L)** trennen. Die Lampe aus dem Quarzglas nehmen und

- erforderlichenfalls die Speziallampe **(K)** austauschen. Vorsicht ist geboten, weil es sich hier um sehr empfindliche Teile handelt.
- 3 Mit einem großen flachen Schraubenzieher das Quarzglas **(M)** vorsichtig entfernen **(siehe Zeichnung 3)**. Auf keinen Fall gewaltsam vorgehen!
 - 4 Das Quarzglas mit einem geeigneten Mittel reinigen. Zum Reinigen des Quarzglases immer ein weiches Tuch verwenden und Kratzer vermeiden.
 - 5 Beim Wiedereinsetzen des Quarzglases in das Gehäuse auf die richtige Lage der 3 Dichtringe **(P)** achten und das Ende des Quarzglases vorsichtig in das Aufnahmeteil **(Q)** schieben **(siehe Zeichnung 4)**. Auf keinen Fall gewaltsam vorgehen!
 - 6 Die Lampe vorsichtig wieder in das Quarzglas einsetzen und die Lampe **(K)** mit der Lampenfassung **(L)** verbinden. Schraubring **(N)** wieder auf das Gehäuse schrauben.
 - 7 Der elektrische Teil des Geräts befindet sich im Displaygehäuse **(S)** am Gerät. Das Displaygehäuse ist geklebt und kann nicht geöffnet werden. Zum Auswechseln des elektrischen Teils oder des Displays muss das ganze Gehäuse losgeschraubt und die Verkabelung des Geräts gelöst werden **(siehe Zeichnung 1)**. Schraubring **(N)** losschrauben und die Lampenfassung vorsichtig von der Lampe lösen. Die verschiedenen Einzelteile, z.B. für die Erdung, immer gut aufbewahren. Diese Teile werden nicht mit einem neuen Gehäuse oder elektrischen Teil mitgeliefert. Im Zweifelsfall für den Anschluss einen anerkannten Installateur hinzuziehen.
 - 8 Wenn das Gehäuse ausgetauscht werden soll, müssen erst die Erdung **(J)** und der elektrische Teil mit Display **(S)** vom Gehäuse **(U)** gelöst werden **(siehe Zeichnung 1 & 2)**. Elektrischen Teil mit Display **(S)** und Lampenfassung vom Gehäuse abschrauben. Die verschiedenen Einzelteile der Erdung immer gut aufbewahren. Sie werden nicht mit einem neuen Gehäuse mitgeliefert. Lampe **(K)** und Quarzglas **(M)** aus dem Gehäuse entfernen, um Bruchschäden beim Transport zu vermeiden. Im Zweifelsfall für den Anschluss einen anerkannten Installateur hinzuziehen. Den Durchflussschalter aus der Klebemuffe lösen. Die dreiteiligen Kupplungen losdrehen und das Gehäuse aus den Rohrschellen nehmen.

Technische Daten

• Lampe Philips TUV T5	130 Watt
• UV-C-Leistung (W)	50 Watt
• UV-C (%) nach 4.500 Stunden	85%
• Schwimmbadinhalt (Liter)	150.000 Liter
• Max. Durchfluss	30.000 l/h
• Max. Druck	3 bar
• Anschluss	Ø63mm
• Länge des Geräts	100cm

Typ UV-C-Systeme

Artikelnummer: B210006 Blue Lagoon UV-C Timer 150.000L / 130 Watt (230V; 50/60Hz)

Ersatzlampen

Artikelnummer: E800904 Lampe Typ TUV 130 Watt 4P-5E Amalgam (130 Watt)

Garantiebedingungen

Mit diesem Produkt haben Sie eine ausgezeichnete Wahl getroffen. Das Gerät wurde mit Sorgfalt und unter Beachtung aller geltenden Sicherheitsvorschriften montiert. Aus Qualitätsgründen hat der Lieferant nur hochwertige Materialien verwendet. Der Lieferant gewährt für das Gerät ab dem Kaufdatum zwei Jahre Garantie auf Material- und Herstellungsfehler. Lampe und Quarzglas sind von der Garantie ausgeschlossen. Garantiefälle können nur bearbeitet werden, wenn das Produkt portofrei zusammen mit einem gültigen Kaufnachweis eingeschickt wird. Reparaturen im Rahmen der Garantie dürfen nur vom Lieferanten ausgeführt werden.

Garantieansprüche infolge von Installations- oder Bedienungsfehlern werden nicht anerkannt. Aus mangelhafter Wartung resultierende Schäden sind ebenfalls von der Garantie ausgeschlossen. Der Lieferant ist in keiner Weise für Schäden verantwortlich, die durch einen falschen Einsatz des Geräts verursacht werden. Der Lieferant kann nicht für Folgeschäden haftbar gemacht werden, die durch den Ausfall des Geräts verursacht werden. Reklamationen aufgrund von Transportschäden können nur angenommen werden, wenn die Beschädigung bei der Lieferung durch die Spedition oder das Postunternehmen festgestellt oder bestätigt wird. Nur dann ist es möglich, die Spedition oder das Postunternehmen haftbar zu machen.

Avant d'installer cet appareil, lire attentivement cette notice d'utilisation.

Fonctionnement

Dans le Blue Lagoon UV-C Timer, un rayonnement UV-C d'une longueur d'onde de 253,7 nm est généré par la lampe UV spéciale Philips, ce qui détruit les bactéries (comme la bactérie de la légionellose (maladie des vétérans/légionnaires)). Le Blue Lagoon UV-C Timer garantit, de manière efficace et écologique, une eau propre, fraîche et limpide. L'eau est acheminée dans l'appareil UV-C au moyen d'une pompe. Le rayonnement UV-C neutralise les bactéries, les virus et d'autres organismes primitifs et empêche leur prolifération. La lampe Amalgaam est insensible aux fluctuations de température de l'eau et émet un rayonnement puissant et constant de 50 watts UV-C. Amalgaam UV-C est l'une des lampes UV-C les plus puissantes sur le marché. Le Blue Lagoon UV-C Timer est doté d'un ballast électronique haute fréquence intégré. Ce ballast absorbe les fluctuations de courant et protège ainsi la lampe. L'appareil comporte également un compteur horaire qui enregistre avec précision le nombre d'heures de service de la lampe. Vous voyez ainsi exactement quand il faut remplacer la lampe. De plus, la section interne en acier inoxydable provoque une réflexion du rayonnement UV-C, ce qui augmente l'efficacité jusqu'à 35%. Grâce au Blue Lagoon UV-C Timer, votre eau est désinfectée de manière efficace et sûre et la qualité de votre eau reste excellente. Comprend des raccords universels. L'appareil peut être raccordé au moyen d'un tube PVC (Ø 50 et 63 mm).

Avantages du traitement UV-C :

- Garantit une eau fraîche, propre et limpide
- Désinfecte l'eau de manière efficace et sûre
- La lumière UV-C casse les liaisons chlorées
- Protège votre piscine contre les germes pathogènes
- Maîtrise la formation des moisissures, des bactéries et des algues
- Peut réduire de 80% l'utilisation de chlore et d'autres produits chimiques
- Évite l'apparition d'air chloré et l'irritation des yeux et de la peau (yeux rouges)
- Ménage l'environnement en comparaison avec les méthodes classiques

Avantages du Blue Lagoon UV-C Timer :

- Ballast électronique intégré, pour une alimentation en courant uniforme
- Doté d'un contacteur de flux qui désactive l'appareil dès que l'eau ne circule plus
- Rendement UV-C jusqu'à 35% supérieur grâce à la réflexion
- Puissance UV-C de 50 watts
- Doté d'une lampe UV-C Philips
- Compteur horaire réglable et intégré pour la lampe UV-C
- Indique numériquement le moment où la lampe doit être remplacée
- Logement en acier inoxydable 316L
- Installation et entretien aisés
- 2 ans de garantie sur les vices de fabrication
- Doté d'une mise à la terre
- Pièces de réduction Ø 63mm à Ø 50mm livrées

Sécurité

Cet appareil produit un rayonnement nocif. Un contact direct peut entraîner des lésions aux yeux et à la peau. Par conséquent, contrôler le fonctionnement de la lampe UV exclusivement par le biais des pièces transparentes de l'unité.

- Placer toujours la fiche de l'appareil dans une prise dotée d'un clapet de fermeture.
- En cas de branchement permanent sur le réseau d'électricité, il faut respecter les prescriptions du fournisseur d'énergie. En cas de doute concernant le branchement, consulter un installateur agréé ou le fournisseur d'énergie. Travailler toujours avec un interrupteur de défaut de terre.
- Lors de l'utilisation d'agents de traitement de l'eau ou de médicaments, l'appareil doit être désactivé.
- Toujours retirer la fiche de la prise murale avant de procéder à des travaux d'entretien ou de réparation à l'appareil. Ne jamais insérer/retirer la fiche de la prise murale avec des mains mouillées ou avec les pieds dans une flaque d'eau.
- Ne jamais immerger cet appareil.
- Ne jamais installer l'appareil en plein soleil.
- Maintenir les enfants à l'écart de cet appareil et du câble.
- Le câble de cet appareil n'est pas remplaçable. En cas de dommage au câble de courant, il faut remplacer la section électrique complète de

l'appareil. Ne jamais déposer la fiche, mais laisser la section électrique intacte. Une section électrique avec une fiche coupée n'est pas couverte par la garantie.

- Après désactivation de l'appareil, la lampe reste chaude pendant encore 10 minutes environ.
- En cas d'endommagement de pièces (surtout du verre de quartz), ne pas utiliser l'appareil.
- En cas de risque de gel en hiver, ranger l'appareil.
- Le logement en acier inoxydable de l'appareil ne convient pas pour des piscines d'eau salée avec une teneur en sel élevée. En cas d'une teneur en sel trop élevée, l'acier s'oxyde et le logement présente des dommages. Placer toujours l'appareil directement en aval du filtre.
- Ce produit doit uniquement être utilisé conformément aux directives reprises dans cette notice d'utilisation.

Installation du câble de mise à la terre (Figure 1)

- 1 Avant de monter le serre-câble plastique (F) sur la vis de mise à la terre (A), il faut tirer le câble (B) à travers le serre-câble (F). Placer le serre-câble (F) à environ 10 cm de l'oeil (H) du câble de mise à la terre (B).
- 2 Placer l'oeil (H) du câble (B) sur la vis de mise à la terre (A) fixée sur le logement.
- 3 Placer ensuite une bague de retenue dentée (C), un écrou six-pans (D) et à nouveau une bague de retenue dentée (E) sur l'oeil (H).
- 4 Fixer le serre-câble (F) sur ces pièces de sorte à constituer une boucle de Ø 5cm.
- 5 Placer en dernier lieu l'écrou-frein (G) sur la vis de mise à la terre (A).
- 6 Lorsque les divers écrous sont placés dans l'ordre correct sur la vis de mise à la terre (A), ils peuvent être serrés au moyen d'une clé à fourche ou polygonale numéro 8. Ne pas serrer excessivement, sinon le serre-câble pourrait se fissurer.

Installation de l'appareil (Figure 2)

Il est interdit de placer le Blue Lagoon UV-C Timer directement en aval du régulateur de PH ou du système d'électrolyse de sel de la piscine. L'emplacement idéal pour l'appareil est directement en aval du filtre. Ne jamais immerger cet appareil. Toujours l'installer à l'extérieur de la piscine. Veiller à laisser un espace libre de +/- 1 mètre afin de pouvoir procéder au remplacement et/ou à l'entretien de la lampe (K)/du verre de quartz (M).

- 1 L'appareil doit toujours être fixé à la verticale.
- 2 Détacher la bague à vis (N) du logement (U). Sortir la lampe UV-C (K) de l'étui livré (voir emballage) et glisser la lampe avec précaution dans le verre de quartz (M). Coupler avec précaution le culot de lampe blanc (L) à la lampe UV-C (K) et visser ensuite la bague à vis (N) à la main sur le logement (U).
- 3 La gaine de colle pour le contacteur de flux (V) doit être collée avec le filetage (W) dirigé vers le haut sur le raccord trois pièces (I) (voir figure 2). La gaine de colle (V) peut être collée sur le raccord trois pièces inférieur (I). Monter le contacteur de flux (X), qui est fixé sur le ballast électronique (S), à la verticale sur le filetage (U) de la gaine de colle (V). (voir figure 2). Si le contacteur de flux est monté d'une manière divergente, l'appareil ne fonctionne pas. La flèche sur le contacteur de flux (X) doit toujours être dirigée dans le sens de circulation de l'eau. Si cette flèche pointe dans la direction opposée au sens de circulation de l'eau, le Blue Lagoon UV-C Amalgam reste désactivé.
- 4 Monter les pinces de tube (O) en un endroit ferme, fixer l'unité dans les pinces de tube et serrer le raccord trois pièces (I). Veiller au positionnement correct des bagues d'étanchéité (P) à l'endroit tant des raccords que du verre de quartz (voir figure 2).
- 5 Monter l'unité avec le raccord trois pièces (I) et la gaine de colle pour le contacteur de flux (V) dans le circuit.. La section d'alimentation et d'échappement du raccord trois pièces est de Ø 63 mm. Si les conduites sont plus petites que 63 mm, utiliser la pièce de réduction (Ø 63 x Ø 50 mm) (T). Elle s'encolle dans le raccord trois pièces (I) et dans la gaine de colle pour le contacteur de flux (V). La section interne de la pièce de réduction (T) comporte d'un côté un filetage qui permet de poser éventuellement un tulle de réduction avec bague d'étanchéité (pas livrés).
- 6 Activer la pompe et s'assurer que l'eau circule dans le système et qu'il n'y a pas de fuites.
- 7 Insérer la fiche de l'appareil UV-C dans une prise murale avec mise à la terre et dotée d'un interrupteur de défaut de terre. S'assurer que la lampe est allumée par le biais des pièces transparentes de l'appareil. Pour désactiver complètement l'appareil, retirer la fiche de la prise murale.
- 8 Lorsqu'aucune eau ne circule dans l'appareil, le contacteur de flux désactive automatiquement l'appareil. Pour désactiver l'appareil en permanence, retirer la fiche de la prise murale.

Mode d'emploi du compteur horaire numérique

Lorsque le Blue Lagoon UV-C Timer est activé, le programme procède à un autodiagnostic. L'écran affiche automatiquement et successivement les indications suivantes : 8888 : test de l'écran ; r et numéro de version du logiciel ; 50H ou 60H, indication de la fréquence du réseau. Ensuite, l'écran affiche le statut du compteur.

Lorsque la lampe UVC est activée pour la première fois ou après utilisation de la fonction "réinitialisation", la valeur 4500 s'affiche sur l'écran. A proximité du chiffre à l'extrême droite de l'écran, un point clignote chaque seconde pour indiquer que le compteur est en service.

L'écran affiche automatiquement la valeur de compteur 4500 heures réglée en usine. Jusqu'à 4500 heures, le rayonnement de la lampe UV-C agit à 100%. Après 4500 heures, le rayonnement décroît et peut être insuffisant pour obtenir les résultats souhaités.

Si la lampe UVC est utilisée depuis un certain temps déjà et si elle est désactivée, l'écran affiche, après la réactivation, la valeur consignée avant la désactivation de la lampe UV-C. Si la valeur du compteur horaire a été augmentée ou diminuée par l'utilisateur, la dernière valeur avant sa désactivation s'affiche.

Le cas échéant, il est possible de modifier les réglages du compteur horaire. Procéder comme suit :

Après avoir maintenu enfoncé durant 5 secondes l'interrupteur (R) sous l'écran, ce dernier affiche "rSt" pour indiquer que le menu utilisateur a été sélectionné. Après avoir relâché l'interrupteur (R), la valeur du compteur et "rSt" clignotent sur l'écran. En appuyant ensuite brièvement sur l'interrupteur, il est possible de naviguer parmi les paramètres du menu. Il existe 3 possibilités de paramétrage : "rSt" "UP" et "dn".

- "rSt" signifie (reset) : permet de remettre le compteur horaire sur la valeur usine de 4500 heures.

Cette sélection est confirmée par le clignotement successif de la valeur du compteur et de "rSt" sur l'écran. Si l'interrupteur (R) est maintenu enfoncé durant 5 secondes, ce qui entraîne l'affichage de la valeur 4500, et est ensuite relâché, le compteur horaire commence le compte à rebours à partir de la valeur 4500 heures. Cette sélection est utilisée par exemple après le remplacement de la lampe ou après modification de la valeur du compteur et retour à la valeur usine.

- "UP" signifie (up) : permet d'augmenter la valeur du compteur à celle souhaitée.

Cette sélection est confirmée par le clignotement successif sur l'écran du paramètre utilisateur sélectionné "UP" et de la valeur horaire. Ensuite, tenir l'interrupteur (R) enfoncé durant 5 secondes. Après 5 secondes, l'écran n'affiche plus que "UP". Il faut alors relâcher l'interrupteur.

En enfonçant brièvement l'interrupteur, la valeur du compteur peut être augmentée par paliers de 500 heures à partir de 4500 jusqu'à une valeur maximale de 9999. La valeur augmentée et "UP" clignotent successivement sur l'écran.

Lorsque la valeur voulue est sélectionnée, attendre 10 secondes. Après 10 secondes, la valeur sélectionnée s'affiche sur l'écran et le compte à rebours commence.

Si, durant l'augmentation de la valeur horaire, une erreur est commise, il est possible de remettre la valeur du compteur horaire sur 4500 en maintenant l'interrupteur enfoncé durant 5 secondes. La valeur horaire repasse alors à 4500 et une nouvelle valeur peut être réglée.

- "dn" signifie (down) : permet de diminuer la valeur du compteur à celle souhaitée.

Cette sélection est confirmée par le clignotement successif sur l'écran du paramètre utilisateur sélectionné "dn" et de la valeur horaire. Ensuite, tenir l'interrupteur (R) enfoncé durant 5 secondes. Après 5 secondes, l'écran n'affiche plus que "dn". Il faut alors relâcher l'interrupteur.

En enfonçant brièvement l'interrupteur, la valeur du compteur peut être diminuée par paliers de 500 heures à partir de 4500 jusqu'à une valeur minimale de 0000. La valeur réduite et "dn" clignotent successivement sur l'écran.

Lorsque la valeur voulue est sélectionnée, attendre 10 secondes. Après 10 secondes, la valeur sélectionnée s'affiche sur l'écran et le compte à rebours commence.

Si, durant la diminution de la valeur horaire, une erreur est commise, il est possible de remettre la valeur du compteur horaire sur 4500 en maintenant l'interrupteur enfoncé durant 5 secondes. La valeur horaire repasse alors à 4500 et une nouvelle valeur peut être réglée.

Le compteur horaire indique comme suit que le remplacement de la lampe s'impose :

- Dès la valeur horaire 0672 : l'écran clignote chaque seconde. La lampe doit être remplacée dans 4 semaines.
- Dès la valeur horaire 0336 : l'écran clignote chaque demi seconde. La lampe doit être remplacée dans 2 semaines.
- Dès la valeur horaire 0168 : l'écran clignote chaque quart de seconde. La lampe doit être remplacée dans 1 semaine.
- A la valeur horaire 0000 : les chiffres clignotent rapidement et constamment et le compte à rebours est terminé. La lampe doit être remplacée.

Démontage/Entretien

Lors du démontage/de l'entretien de l'appareil, toujours couper l'alimentation de courant.

L'appareil doit être nettoyé 2 fois par an. Lorsque la croissance des algues et/ou l'entartrage augmente, il faut nettoyer le tube en verre de quartz (M) dans lequel la lampe est insérée. La lampe spéciale doit être remplacée au plus tard après 4.500 heures de service. La section intérieure en acier inoxydable se nettoie avec une brosse douce.

1 Desserrer les raccords trois pièces (I) et laisser s'écouler l'eau hors de l'appareil.

2 Desserrer la bague à vis (N) et désolidariser la lampe (K) du culot de lampe (L). Retirer la lampe du verre de quartz et, le cas échéant, remplacer la lampe spéciale (K). Procéder avec prudence étant donné que ces pièces sont particulièrement fragiles.

3 Déposer avec précaution le verre de quartz (M) au moyen d'un grand tournevis plat (voir figure 3). Ne jamais forcer !

4 Nettoyer le verre de quartz avec un produit approprié. Toujours utiliser un chiffon doux pour nettoyer le verre, éviter toute rayure.

- 5 Lors de la pose du verre de quartz dans le logement, veiller au positionnement correct des 3 bagues d'étanchéité **(P)** et glisser avec précaution l'extrémité du verre de quartz dans la pièce de serrage **(Q)** (**voir figure 4**). Ne jamais forcer !
- 6 Poser avec précaution la lampe dans le verre de quartz et coupler la lampe **(K)** au culot de lampe **(L)**. Visser à nouveau la bague à vis **(N)** sur le logement.
- 7 La section électrique de l'appareil se trouve dans le boîtier de l'écran **(S)**. Ce boîtier est collé et impossible à ouvrir. Lors du remplacement de la section électrique, il faut dévisser le boîtier complet et détacher le câblage de l'appareil (**voir figure 1**). Dévisser la bague à vis **(N)** et détacher avec précaution le culot de la lampe. Veiller à conserver soigneusement les diverses pièces telles la mise à la terre, etc. Celles-ci ne sont pas livrées avec un logement neuf ou une section électrique neuve. En cas de doute concernant le branchement, consulter un installateur agréé.
- 8 En cas de remplacement du logement, il faut d'abord détacher la mise à la terre **(J)** et la section électrique avec l'écran **(S)** du logement **(U)** (**voir figures 1 & 2**). Dévisser la section électrique avec l'écran **(S)** et le culot de lampe du logement. Veiller à conserver soigneusement les diverses pièces de la mise à la terre. Celles-ci ne sont pas livrées avec un logement neuf. Retirer la lampe **(K)** et le verre de quartz **(M)** du logement afin d'éviter toute brisure lors du transport. En cas de doute concernant le branchement, consulter un installateur agréé.
- 9 Détacher le contacteur de flux de la gaine de colle. Desserrer les raccords 3 pièces et déposer le logement des pinces de tube.

Caractéristiques techniques

• Lampe Philips TUV T5	130 watts
• Puissance UV-C (W)	50 watts
• UV-C (%) après 4.500 heures	85%
• Capacité de la piscine (L.)	150.000 L
• Débit max.	30.000 l/h
• Pression max.	3 bar
• Raccord	Ø63mm
• Longueur de l'appareil	100cm

Type de systèmes UV-C

Référence : B210006 Blue Lagoon UV-C Timer 150.000L / 130 watts (230V; 50/60Hz)

Lampes

Référence : E800904 Lamp type TUV 130 watts 4P-SE Amalgam (130 watts)

Conditions de garantie

Ce produit constitue un excellent choix. L'appareil a été assemblé avec soin et conformément à toutes les prescriptions de sécurité en vigueur. Pour des raisons de sécurité, le fournisseur a uniquement utilisé des matériaux de qualité supérieure. A compter de la date d'achat, le fournisseur garantit l'appareil durant 2 ans contre les vices de matériaux et de fabrication. La lampe et le verre de quartz sont exclus de la garantie. Les demandes de garantie ne sont traitées que si le produit a été renvoyé franc de port et accompagné d'un titre d'achat valable. Les réparations au titre de la garantie doivent être réalisées exclusivement par le fournisseur. Nous rejetons expressément toute demande de garantie suite à des erreurs d'installation et de commande. Les défauts dus à un entretien négligent ne sont pas couverts par la garantie. Le fournisseur rejette toute responsabilité pour tout dommage suite à une utilisation erronée du produit. Les dommages consécutifs dus à une panne de l'appareil ne sont pas couverts par la garantie. Les réclamations relatives à des dommages dus au transport sont uniquement acceptées si le dommage a été constaté ou confirmé à la réception de la livraison par l'expéditeur ou les postes. Dans ce seul cas, il est possible d'invoquer la responsabilité de l'expéditeur ou des postes.

Leest u voor het installeren van dit apparaat eerst zorgvuldig deze gebruiksaanwijzing.

Werking

In de Blue Lagoon UV-C Timer wordt een UV-C straling gegenereerd van 253,7 nm golflengte door de speciale Philips UV lamp, welke zorgt voor een dodende werking op bacteriën (o.a. de legionella bacterie). De Blue Lagoon UV-C Timer zorgt op een efficiënte en milieuvriendelijke wijze voor schoon, fris en helder water. Het water wordt d.m.v. een pomp door het UV-C apparaat gevoerd. De UV-C straling neutraliseert bacteriën, virussen en andere primitieve organismen en stopt de voortplanting ervan. De Amalgam lamp is niet beïnvloedbaar door temperatuur wisselingen van het water en geeft een constante krachtige straling van 50 Watt UV-C output. Amalgam UV-C staat bekend als het meest krachtige UV-C licht dat er op de UV-C markt te krijgen is. De Blue Lagoon UV-C Timer heeft een ingebouwde hoogfrequente elektronische ballast. Deze ballast vangt stroomschommelingen op en beschermt hiermee de lamp. Ook bevat het apparaat een geïntegreerde urenteller die nauwkeurig het aantal branduren bijhoudt. U kunt precies zien wanneer de lamp moet worden vervangen. Bovendien zorgt de RVS binnenzijde voor reflectie van de UV-C straling waardoor de efficiency tot 35% wordt vergroot. Dankzij de Blue Lagoon UV-C Timer zal uw water op een efficiënte en veilige wijze worden gedesinfecteerd en behoudt u een uitstekende waterkwaliteit. Bevat universele aansluitstukken. Het apparaat kan d.m.v. een pvc buis (Ø 50 en 63 mm) aangesloten worden.

Voordelen van UV-C behandeling:

- Zorgt voor fris, schoon en helder water
- Desinfecteert water op een efficiënte en veilige manier
- UV-C licht breekt gebonden chloor af
- Beschermt uw bad tegen ziektekiemen
- Houdt schimmel-, bacterie- en algenvorming onder controle
- Kan het gebruik van chloor en andere chemicaliën tot 80% verminderen
- Voorkomt chloorlucht en irritatie aan huid en ogen (rode ogen)
- Beter voor het milieu in vergelijking met traditionele methoden

Voordelen van Blue Lagoon UV-C Timer:

- Ingebouwde elektronisch voorschakelapparaat, voor een gelijkmatige stroomvoorziening
- Heeft een flow switch welke het apparaat uitschakelt zodra er geen water doorstroomt
- Tot 35% meer UV-C opbrengst door reflectie
- Heeft een UV-C output van 50 Watt
- Heeft een Philips UV-C lamp
- Geïntegreerde instelbare urenteller voor de UV-C lamp
- Geeft digitaal aan wanneer lamp moet worden vervangen
- 316L roestvrijstalen behuizing
- Eenvoudige installatie en onderhoud
- 2 jaar garantie op fabricagefouten
- Is geaard
- Verloopstukken Ø 63mm naar Ø 50mm meegeleverd

Veiligheid

Dit apparaat produceert schadelijke straling. Direct contact kan gevaar opleveren voor ogen en huid. Controleer de werking van de UV-C lamp uitsluitend via de transparante onderdelen van de unit.

- Steek de stekker van het apparaat altijd in een contactdoos met sluitklep
- Voor een permanente aansluiting op het elektriciteitsnet moet voldaan worden aan de voorschriften van het energiebedrijf. Raadpleeg bij eventuele twijfel over aansluiting een erkende installateur of het energiebedrijf. Werk altijd met een aardlekschakelaar.
- Bij gebruik van waterbehandeling middelen of medicamenten dient het apparaat uitgeschakeld te worden.
- Neem altijd de stekker uit het stopcontact voordat u onderhoud- of reparatiewerkzaamheden aan het apparaat uitvoert. Nooit de stekker in/uit stopcontact steken/halen als u in een plas water staat of natte handen heeft.
- Het apparaat nooit onder water dompelen.
- Installeer het apparaat nooit op een plek in de volle zon.
- Houdt kinderen uit de buurt van dit apparaat en het snoer.
- De kabel van dit apparaat is niet vervangbaar. In geval van beschadiging van de stroomkabel moet het complete elektrische gedeelte van het apparaat vernieuwd worden. Verwijder nooit de stekker maar laat het elektrische gedeelte in tact. Een elektrisch gedeelte met

afgeknipte stekker valt niet onder garantie.

- Na uitschakelen van het apparaat zal de lamp nog ongeveer 10 minuten warm blijven.
- Bij beschadiging van onderdelen (in het bijzonder van het kwartsglas), het apparaat niet gebruiken.
- Bij bevriezingsgevaar tijdens de wintermaanden, het apparaat verwijderen.
- De roestvrijstalen behuizing van het apparaat is niet geschikt voor zoutwaterbaden met een hoog zout gehalte. Bij een te hoog zout gehalte oxideert het staal en raakt de behuizing beschadigd. Plaats het apparaat altijd direct na de filter
- Dit product is uitsluitend te gebruiken volgens de richtlijnen zoals beschreven in deze handleiding.

Installatie aarding (Tekening 1)

- 1 Voordat u de kunststof trekontlasting (F) op de aardingsbout (A) monteert dient u eerst de kabel (B) door de trekontlasting (F) te halen. Plaats de trekontlasting (F) op ongeveer 10cm afstand van het oog (H) van de aardingskabel (B).
- 2 Plaats het oog (H) van de kabel (B) over de aardingsbout (A) die op de behuizing is bevestigd.
- 3 Plaats vervolgens een tandveerring (C), zeskantsmoer (D) en weer een tandveerring (E) op het oog (H).
- 4 Bevestig de trekontlasting (F) er bovenop zodat er een lus van Ø 5cm ontstaat.
- 5 Als laatste de borgmoer (G) op de aardingsbout (A) plaatsen.
- 6 Als de diverse moeren op de juiste volgorde op de aardingsbout (A) zijn geplaatst kan dit met een steek-, of ringsleutel nummer 8, vastgedraaid worden. Zorg ervoor dat het niet te vast wordt aangedraaid, want dan kan de trekontlasting scheuren. (De transparante moer die bij aanlevering op de aardingsbout (A) geschroefd is, heeft verder geen functie en kan weggegooid worden).

Installatie apparaat (Tekening 2)

Installeer de Blue Lagoon UV-C Timer nooit direct na de PH regelaar of zout elektrolyse systeem op uw zwembadinstallatie. De beste plaats om het apparaat te installeren is direct na de filter. Dit apparaat nooit onder water dompelen. Installatie altijd buiten het bad. Zorg ervoor dat er +/- 1 meter vrije ruimte is om de lamp (K) / kwartsglas (M) te verwijderen voor vervanging en/of onderhoud.

- 1 Het apparaat dient altijd verticaal te worden bevestigd.
- 2 Draai de schroefring (N) los van de behuizing (U). Haal de UV-C lamp (K) uit de bijgeleverde koker (zie verpakking) en schuif de lamp voorzichtig in het kwartsglas (M). Koppel de witte lamphouder (L) voorzichtig aan de UV-C lamp (K) en schroef daarna de schroefring (N) handvast op de behuizing (U).
- 3 De lijmsok t.b.v. de flow switch (V) dient verlijmt te worden met de schroefdraad (W) naar boven gericht op de driedelige koppeling (I) (zie tekening 2). U kunt de lijmsok (V) aan de onderste driedelige koppeling (I) verlijmen. Monteer de flow switch (X) welke bevestigd is aan het elektronische voorschakelapparaat (S) recht bovenop de schroefdraad (U) van de lijmsok (V). (zie tekening 2). Wanneer de flow switch anders wordt gemonteerd functioneert het apparaat niet. Het pijltje bovenop de flow switch (X) dient altijd richting de stroomrichting van het water te staan. Wanneer deze tegen de stroomrichting van het water in staat zal de Blue Lagoon UV-C Amalgam uitgeschakeld blijven.
- 4 Monteer de meegeleverde buisklemmen (O) op een vaste plaats, bevestig de unit in de buisklemmen en draai de driedelige koppeling (I) vast. Let daarbij op de juiste positie van de afdichtingsringen (P) zowel bij de aansluitingen als bij het kwartsglas (zie tekening 2).
- 5 Monteer de unit d.m.v. de driedelige koppeling (I) en de lijmsok t.b.v. flow switch (V) in het circuit. De in- en uitlaat van de driedelige koppeling is Ø 63 mm. Indien uw leidingen kleiner zijn dan 63mm, kunt u gebruik maken van het verloopstuk (Ø 63 x Ø 50 mm) (T). Deze kunt u verlijmen in de driedelige koppeling (I) en in de lijmsok tbv flow switch (V). Aan de binnenkant van het verloopstuk (T) bevindt zich aan één zijde schroefdraad die de mogelijkheid biedt om er een eventuele verloopoptule inclusief afdichtingsring (niet meegeleverd) op te monteren.
- 6 Stel de pomp in werking en controleer het systeem op doorstroom en lekkage.
- 7 Stop de stekker van het UV-C apparaat in een wandstopcontact met randaarde en voorzien van aardlekschakelaar. Controleer of de lamp brandt door de transparante delen van het apparaat. U schakelt het apparaat uit door de stekker uit het stopcontact te trekken.
- 8 Wanneer er geen water door het apparaat stroomt, schakelt de flow switch het apparaat automatisch uit. U schakelt het apparaat permanent uit door de stekker uit het stopcontact te trekken.

Gebruiksaanwijzing digitale urenteller

Als de Blue Lagoon UV-C Timer is ingeschakeld gaat het programma zich zelf testen. De display geeft de volgende indicaties automatisch na elkaar: 8888 (display test) ; r en software versie nummer ; 50H of 60H indicatie van de netfrequentie
Daarna springt de display op de tellerstand.

Als de UVC lamp voor het eerst is ingeschakeld of nadat de "reset" functie is gebruikt, dan zal de waarde 4500 in de display verschijnen. Bij het meest rechtse cijfer op de display knippert elke seconde een punt die aangeeft dat de teller loopt.
De display staat automatisch op de door de fabriek ingestelde tellerstand van 4500 uur. Tot 4500 uur heeft de UV-C lamp 100% zijn werkende

straling. Na 4500 uur zwakt de straling af en kan onvoldoende zijn om tot de gewenste resultaten te komen.

Indien u de UVC lamp al langer gebruikt en deze al eens eerder ingeschakeld is geweest zal de display na het inschakelen de waarde weergeven die de hij had voordat de UV-C lamp werd uitgeschakeld. Indien u de stand van de urenteller zelf heeft verhoogd of verlaagd dan wordt de laatste teller stand weergegeven die de display had voordat hij werd uitgeschakeld.

U kunt de instellingen van de urenteller indien gewenst wijzigen. Dit doet u als volgt:

Na het 5 seconden ingedrukt houden van de schakelaar (R) onder de display geeft de display "rSt" aan ter indicatie dat het gebruiker menu geselecteerd is. Na het loslaten van de schakelaar (R) knippen de tellerstand en "rSt" afwisselend op de display. Door hierna de schakelaar kort in te drukken wordt door het mogelijkheden van het menu gestopt. Er zijn 3 instelmogelijkheden in het menu "rSt" "UP" en "dn".

- "rSt" betekent (reset): hiermee zet je de tellerstand terug naar de fabrieksinstellingen van 4500 uur.

Deze selectie wordt bevestigd doordat de tellerstand en "rSt" in de display afwisselend knippen. Als u de schakelaar(R) 5 seconden inhoud, waarna de tellerstand 4500 wordt weergegeven, en vervolgens loslaat, begint de urenteller terug te tellen vanaf de waarde 4500 uur. Deze keuze gebruikt u wanneer u bijvoorbeeld de lamp heeft vervangen of wanneer u de tellerstand zelf heeft gewijzigd en deze weer terug naar de fabrieksinstellingen wilt zetten.

- "UP" betekent (up): hiermee kan de tellerstand verhoogd worden naar de door u gewenste urenstand.

Deze selectie wordt bevestigd doordat de gekozen gebruikersinstelling "UP" en de tellerstand in de display afwisselend knippen. U dient daarna de schakelaar (R) 5 seconden in te houden. Op de display blijft na 5 seconden alleen nog "UP" in beeld staan. U dient dan de schakelaar los te laten.

Door het kort indrukken van de schakelaar kan de tellerwaarde vanaf 4500 in stappen van 500 uur verhoogd worden tot een maximale waarde van 9999. De verhoogde waarde knippert afwisselend met "UP" op de display.

Indien u de gewenste urenstand heeft geselecteerd wacht u 10 seconden. Na 10 seconden springt de geselecteerde urenstand in beeld en het terugtellen van de timer is gestart.

Indien u tijdens het verhogen van de tellerstand bijvoorbeeld een vergissing maakt dan kunt u de teller weer terug zetten naar 4500 door de schakelaar 5 seconden in te houden. De tellerwaarde is gereset naar 4500 en er kan een nieuwe waarde worden ingesteld.

- "dn" betekent (down): hiermee kan de tellerstand verlaagd worden naar de door u gewenste urenstand.

Deze selectie wordt bevestigd doordat de gekozen gebruikersinstelling "dn" en de tellerstand in de display afwisselend knippen. U dient daarna de schakelaar (R) 5 seconden in te houden. Op de display blijft na 5 seconden alleen nog "dn" in beeld staan. U dient dan de schakelaar los te laten.

Door het kort indrukken van de schakelaar kan de tellerwaarde vanaf 4500 in stappen van 500 uur verlaagd worden tot een minimale waarde van 0000. De verlaagde waarde knippert afwisselend met "dn" op de display.

Indien u de gewenste urenstand heeft geselecteerd wacht u 10 seconden. Na 10 seconden springt de geselecteerde urenstand in beeld en het terugtellen van de timer is gestart.

Indien u tijdens het verlagen van de tellerstand bijvoorbeeld een vergissing maakt dan kunt u de teller weer terug zetten naar 4500 door de schakelaar 5 seconden in te houden. De tellerwaarde is gereset naar 4500 en er kan een nieuwe waarde worden ingesteld.

De urenteller geeft u op de volgende manier aan dat de lamp moet vervangen moet worden:

- Vanaf urenstand 0672; display knippert om de seconde. De lamp dient over 4 weken vervangen te worden.

- Vanaf urenstand 0336; display knippert om de halve seconde; De lamp dient over 2 weken vervangen te worden.

- Vanaf urenstand 0168; display knippert om ¼ seconde; De lamp dient over 1 week vervangen te worden.

- Bij een urenstand van 0000; blijven de cijfers snel knippen en zal de teller niet meer verder terugtellen. De lamp dient vervangen te worden.

Demontage/Onderhoud

Bij onderhoud/demontage van het apparaat altijd de stroomtoevoer uitschakelen.

Het apparaat dient 2 maal per jaar gereinigd te worden. Wanneer de algengroei en/of kalkaanslag toeneemt, moet de kwartsglazen buis (M) waarin de lamp gestoken is, schoongemaakt worden. De speciale lamp dient na uiterlijk 4.500 branduren vervangen te worden. Het RVS binnenwerk met een zachte borstel schoonmaken.

1 Draai de driedelige koppelingen (I) los en laat het water uit het apparaat stromen.

2 Schroef de schroefring (N) los en koppel de lamp (K) los van de lamphouder (L). Haal de lamp uit het kwartsglas en vervang indien nodig de speciale lamp (K). Voorzichtigheid is geboden daar het om zeer kwetsbare onderdelen gaat.

3 Verwijder voorzichtig het kwartsglas (M) d.m.v. een grote platte schroevendraaier (zie tekening 3). Nooit forceren!

4 Maak het kwartsglas schoon met een daarvoor geschikt middel. Gebruik altijd een zachte doek om het glas schoon te maken, voorkom krassen.

- 5 Let bij herplaatsing van het kwartsglas in het huis op de juiste positie van de 3 afdichtingsringen (**P**) en schuif het uiteinde van het kwartsglas voorzichtig in het opvangstuk (**Q**) (**zie tekening 4**). Nooit forceren!
- 6 Plaats de lamp voorzichtig terug in het kwartsglas en koppel de lamp(**K**) aan de lamphouder(**L**). Draai de schroefring (**N**) terug op de behuizing.
- 7 Het elektrische gedeelte van het apparaat bevindt zich in de displaykast (**S**) op het apparaat. Deze displaykast is gelijmd en niet te openen. Bij vervanging van het elektrische gedeelte of de display dient de volledige kast losgeschroefd te worden en de bedrading van het apparaat los gemaakt te worden (**zie tekening 1**). Draai de schroefring (**N**) los en maak de lamphouder voorzichtig los van de lamp. Let er op dat u de diverse losse onderdelen zoals van de aarding etc. goed bewaart. Deze worden niet met een nieuwe behuizing of elektrisch gedeelte meegeleverd. Bij eventuele twijfel over de aansluiting, een erkende installateur raadplegen.
- 8 Indien de behuizing moet worden vervangen, dient de aarding (**J**) en het elektrische gedeelte met display (**S**) eerst van de behuizing (**U**) los gemaakt te worden (**zie tekening 1 & 2**). Schroef het elektrische gedeelte met display (**S**) en de lamphouder los van de behuizing. Let erop dat u de diverse losse onderdelen van de aarding goed bewaart. Deze worden niet met een nieuwe behuizing meegeleverd. Verwijder de lamp (**K**) en kwartsglas (**M**) uit de behuizing om breukschade te voorkomen tijdens transport. Bij eventuele twijfel over de aansluiting, een erkende installateur raadplegen.
- 9 Maak de flow switch los uit de lijmsok. Draai de 3-delige koppelingen los en verwijder de behuizing uit de buisklemmen.

Technische specificaties

• Lamp Philips TUV T5	130 Watt
• UV-C (W) output	50 Watt
• UV-C (%) na 4.500 uur	85%
• Zwembadinhoud (L.)	150.000 L
• Max. Doorstroom	30.000 l/h
• Max. Druk	3 bar
• Aansluiting	Ø63mm
• Lengte apparaat	100cm

Type UV-C systemen

Artikelnummer: B210006 Blue Lagoon UV-C Timer 150.000L / 130 Watt (230V; 50/60Hz)

Vervangingslampen

Artikelnummer: E800904 Lamp type TUV 130 Watt 4P-SE Amalgam (130 Watt)

Garantievoorwaarden

Met dit product heeft u een uitstekende keuze gemaakt. Het apparaat is zorgvuldig en met inachtneming van alle toepasselijke veiligheidsvoorschriften geassembleerd. Omwille van de kwaliteit heeft de leverancier uitsluitend gebruik gemaakt van hoogwaardige materialen. De leverancier garandeert het apparaat vanaf de datum van aanschaf gedurende 2 jaar tegen materiaal- en fabricagefouten. De lamp en het kwartsglas vallen buiten de garantie. Garantiegevallen kunnen alleen worden behandeld als het product franco terug wordt gestuurd en voorzien is van een geldig aankoopbewijs. Garantiereparaties mogen uitsluitend door de leverancier worden uitgevoerd. Garantieaanspraken die veroorzaakt zijn door installatie- of bedieningsfouten worden niet erkend. Defecten die ontstaan door gebrekkig onderhoud vallen ook niet onder de garantie. De leverancier is op geen enkele manier verantwoordelijk voor schade veroorzaakt door verkeerd gebruik van het product. De leverancier kan niet aansprakelijk worden gesteld voor vervolgschade die door uitval van het apparaat ontstaat. Reclamaties op grond van transportbeschadigingen kunnen alleen geaccepteerd worden, wanneer de beschadiging bij aflevering door de expediteur of postrijen werd vastgesteld of bevestigd. Alleen dan is het mogelijk, aanspraken t.o.v. de expediteur of postrijen te doen.

Blue Lagoon UV-C Timer 150.000 Amalgam

E

Antes de instalar este aparato se deberán leer detenidamente las presentes instrucciones.

Funcionamiento

El aparato Blue Lagoon UV-C Timer genera, por medio de una lámpara UV especial Philips, una radiación UV-C de una longitud de onda de 253,7 nm, la cual se encarga de eliminar las bacterias (entre otras, la legionela). El Blue Lagoon UV-C Timer asegura un agua limpia, fresca y clara de manera eficiente y ecológica. El agua se hace pasar por medio de una bomba por el aparato UV-C. La radiación UV-C neutraliza las bacterias, los virus y otros organismos primitivos y detiene la reproducción de éstos. La lámpara de amalgama no se ve afectada por la influencia de las variaciones de la temperatura del agua y suministra una fuerte radiación constante de UV-C de 50 W. La luz UV-C amalgama es conocida por ser la más potente que se ofrece en el mercado UV-C. El Blue Lagoon UV-C Timer lleva incorporado un estabilizador electrónico de alta frecuencia. Este estabilizador amortigua las oscilaciones de la corriente para una mayor protección de la lámpara. El aparato va equipado también con un cuentahoras integrado, el cual registra exactamente el número de horas que la lámpara está encendida. Usted podrá comprobar en cualquier momento cuándo hay que sustituir la lámpara. Además, el interior de acero inoxidable asegura la reflexión de la radiación UV-C, lo que incrementa la eficiencia en un 35%. Gracias al Blue Lagoon UV-C Timer podrá desinfectar el agua de su piscina de manera segura y eficiente, a la vez que mantiene una excelente calidad de ésta. Contiene piezas de conexión universales. El aparato se puede conectar por medio de un tubo de PVC (Ø 50 y 63 mm).

Ventajas del tratamiento con UV-C:

- Obtención de agua fresca, limpia y clara
- Desinfección del agua de manera eficiente y segura
- La luz UV-C descompone el cloro combinado
- Protección de la piscina contra los gérmenes patógenos
- Control de la formación de hongos, bacterias y algas
- Posibilidad de reducir hasta un 80% el uso de cloro y otros productos químicos
- Se evita el olor a cloro y la irritación de la piel y los ojos (enrojecimiento de los ojos)
- Mejor para el medio ambiente en comparación con los métodos tradicionales

Ventajas del Blue Lagoon UV-C Timer:

- Estabilizador electrónico incorporado para obtener una corriente uniforme
- Lleva un interruptor de flujo, el cual se encarga de apagar el aparato si no hay corriente de agua.
- Hasta un 35% más de rendimiento de la radiación UV-C por reflexión
- Tiene una capacidad de UV-C de 50 W.
- Va provisto de una lámpara UV-C Philips
- Cuentahoras integrado para la lámpara UV-C
- Indicación digital de cuándo hay que sustituir la lámpara
- Carcasa en acero inoxidable 316L
- Instalación y mantenimiento sencillos
- 2 años de garantía por defectos de fabricación
- Lleva toma de tierra
- Se suministra con reductores de Ø 63 mm a Ø 50 mm

Seguridad

Este aparato produce radiación dañina. El contacto directo puede ser peligroso para los ojos y la piel. El control del funcionamiento de la lámpara UV-C sólo deberá realizarse a través de las piezas transparentes del aparato.

- Conecte la clavija de enchufe siempre a una toma de corriente provista de tapa de protección.
- Para la conexión permanente a la red eléctrica, se deberá cumplir con las prescripciones de la empresa suministradora de energía. En caso de duda sobre la conexión, consulte con un instalador eléctrico autorizado o con la compañía eléctrica. Trabaje siempre con un interruptor de fuga a tierra.
- Si se utilizan agentes de tratamiento del agua o medicinas, se deberá apagar el aparato.
- Antes de efectuar cualquier trabajo de mantenimiento o de reparación se deberá desconectar el enchufe de la red. Nunca se deberá conectar o desconectar el enchufe si se encuentra usted en un charco de agua o si tiene las manos mojadas.
- E aparato nunca se deberá sumergir en el agua.
- No instale el aparato nunca en un lugar donde dé de lleno el sol.

- Impida que los niños se acerquen al aparato o al cordón eléctrico.
- El cable de este aparato no se puede sustituir. En caso de desperfectos en el cable eléctrico, se deberá sustituir la parte eléctrica completa del aparato por otra nueva. No quite nunca la clavija de enchufe y deje la parte eléctrica intacta. Si se ha cortado el enchufe de la parte eléctrica, quedará invalidada la garantía para la parte eléctrica.
- Después de desconectar el aparato, la lámpara seguirá estando caliente durante unos 10 minutos.
- En caso de daños en las piezas (especialmente en el vidrio de cuarzo), no se deberá utilizar el aparato.
- Durante los meses de invierno, si existe peligro de helada, se deberá retirar el aparato.
- La carcasa de acero inoxidable del aparato no es apropiada para estanques de agua salada con una alta concentración de sal. Si la concentración de sal es demasiado alta, el acero se oxidará y se producirán daños en la carcasa. Coloque el aparato siempre inmediatamente después del filtro.
- Este producto sólo se deberá utilizar de conformidad con las normas que se indican en este manual de instrucciones.

Puesta a tierra de la instalación (Dibujo 1)

- 1 Antes de montar el sujetacables de plástico **(F)** al tornillo de puesta a tierra **(A)** hay que pasar el cable **(B)** por el sujetacables **(F)**. Coloque el sujetacables **(F)** a una distancia de unos 10 cm del ojal **(H)** del cable de tierra **(B)**.
- 2 Acople el ojal **(H)** del cable **(B)** al tornillo de puesta a tierra **(A)** que se encuentra en la carcasa.
- 3 Seguidamente, coloque una arandela elástica dentada **(C)**, una tuerca hexagonal **(D)** y otra arandela dentada **(E)** en el ojal **(H)**.
- 4 Acople encima el sujetacables **(F)**, de forma que quede un lazo de \varnothing 5 cm.
- 5 Finalmente, coloque una tuerca de bloqueo **(G)** al tornillo de puesta a tierra **(A)**.
- 6 Una vez que se han colocado las distintas tuercas en el orden correcto en el tornillo de puesta a tierra **(A)**, se podrá proceder a apretar el conjunto con una llave fija o una llave de tubo del número 8. Evite apretar excesivamente, ya que esto podría romper el sujetacables. (Una vez hecho esto, la tuerca transparente que lleva de fábrica el tornillo de puesta a tierra **(A)** no tiene objeto alguno, por lo que se puede desechar).

Instalación del aparato (Dibujo 2)

No instale nunca el Blue Lagoon UV-C Timer inmediatamente después del regulador de pH o del sistema de electrólisis de sal de la piscina. El mejor sitio para instalar el aparato es inmediatamente después del filtro. Este aparato nunca se deberá sumergir en el agua. La instalación ha de efectuarse siempre fuera del agua. Asegúrese de que quede un espacio libre de +/- 1 metro para poder quitar la lámpara **(K)** y/o el vidrio de cuarzo **(M)** para sustitución o mantenimiento.

- 1 El aparato se deberá montar siempre en posición vertical.
- 2 Suelte el anillo roscado **(N)** de la carcasa **(U)**. Saque la lámpara UV-C **(K)** del tubo suministrado (véase embalaje) e introdúzcala con cuidado en el tubo de cuarzo **(M)**. Acople cuidadosamente el portalámpara blanco **(L)** a la lámpara UV-C **(K)** y apriete a continuación manualmente el anillo de rosca **(N)** a la carcasa **(U)**.
- 3 El reductor para el interruptor de flujo **(V)** se deberá pegar al acoplamiento de tres vías **(I)** con la rosca **(W)** orientada hacia arriba (véase el dibujo 2). El reductor **(V)** se puede pegar al acoplamiento de tres vías inferior **(I)**. Monte el interruptor de flujo **(X)**, que va acoplado al estabilizador electrónico **(S)**, en posición recta encima de la rosca **(U)** del reductor **(V)**. (véase el dibujo 2). Si el interruptor de flujo se monta de una forma distinta no funcionará el aparato. La flecha en la parte superior del interruptor de flujo **(X)** deberá estar orientada siempre en la dirección de paso del agua. Si se encuentra en sentido contrario al de circulación del agua no se pondrá en funcionamiento el Blue Lagoon UV-C Amalgama.
- 4 Monte las abrazaderas de tubo **(O)** suministradas en un punto fijo, acople la unidad a las abrazaderas de tubo y apriete el acoplamiento de tres piezas **(I)**. Tenga en cuenta la posición correcta de las arandelas de estanqueidad **(P)**, tanto en las conexiones como en el vidrio de cuarzo (véase el dibujo 2).
- 5 Monte la unidad en el circuito mediante el acoplamiento de tres piezas **(I)** y el reductor para el interruptor de flujo **(V)**. El diámetro de la entrada y salida del acoplamiento de tres piezas es \varnothing 63 mm. Si las tuberías que usted utiliza son de menos de 63 mm, podrá utilizar el reductor (\varnothing 63 x \varnothing 50 mm) **(T)**. Se puede pegar al acoplamiento de tres piezas **(I)** y al reductor para el interruptor de flujo **(V)**. La parte exterior del reductor **(T)** lleva rosca en uno de los lados, lo que permite montar eventualmente un manguito reductor con arandela de estanqueidad (no suministrado).
- 6 Ponga la bomba en funcionamiento y controle si el líquido circula correctamente y si se produce alguna fuga.
- 7 Introduzca la clavija del aparato UV-C en una toma de corriente mural con puesta a tierra y provista de interruptor de fuga a tierra. A través de las partes transparentes del aparato, controle si la lámpara está encendida. Para desconectar el aparato, retire la clavija de la toma de corriente.
- 8 El interruptor de flujo desconecta el aparato automáticamente cuando no circula agua por éste. Para desconectar el aparato en forma permanente, quite la clavija de la toma de corriente.

Indicaciones de uso del cuentahoras digital

Al ponerse en funcionamiento el Blue Lagoon UV-C Timer se lleva a cabo una autoverificación del programa. En el visor aparecen automáticamente las siguientes indicaciones en forma consecutiva: 8888 (verificación del visor); r y número de versión del software; indicación de 50H o 60H de la frecuencia de la red. Seguidamente el visor salta a la posición del contador.

Al encenderse por primera vez la lámpara UV-C, o después de que se haya utilizado la función de "reset" (reinicio), aparecerán en el visor las cifras 4500. Junto a la última cifra de la derecha del visor parpadea cada segundo un punto para indicar que el contador funciona.

El visor está automáticamente en la posición del visor ajustada de fábrica, que es de 4.500 horas. Hasta la hora 4.500 la lámpara UV-C emite una radiación efectiva al 100%. Transcurridas 4.500 horas, la radiación pasa a ser más débil y puede ser insuficiente para obtener el resultado que se desea.

Si utiliza usted la lámpara UV-C ya algún tiempo y ésta ha estado encendida con anterioridad, al encenderla de nuevo aparecerá en el visor el valor que ésta indicaba antes de apagarla la última vez. Si ha aumentado o reducido usted mismo la indicación del cuentahoras, se mostrará la última posición del cuentahoras que aparecía en el visor antes de desactivarse éste.

Los ajustes del cuentahoras se pueden modificar si se desea. Esto se hace de la siguiente manera:

Si se mantiene pulsado durante 5 segundos el interruptor (R) de debajo del visor, se mostrará en éste "rSt", lo que significa que se ha seleccionado el menú del usuario. Al soltar el interruptor (R) parpadearán en el visor alternativamente la posición del cuentahoras y las letras "rSt". Pulsando a continuación brevemente el interruptor se puede pasar a las distintas opciones del menú. Existen 3 posibilidades de ajuste en el menú: "rSt", "UP" y "dn".

- "rSt" significa "reset" (reinicio): esto permite hacer retroceder la posición del cuentahoras a los ajustes de fábrica de 4.500 horas.

Para confirmar esta selección, parpadearán alternativamente en el visor la posición del cuentahoras y "rSt". Si se mantiene pulsado el interruptor (R) durante 5 segundos, se mostrará la posición del cuentahoras 4500 y, al soltar de nuevo el interruptor, el contador iniciará la cuenta atrás a partir de 4.500 horas. Este ajuste se puede realizar, por ejemplo, cuando se ha cambiado la lámpara, o cuando uno mismo ha modificado la posición del cuentahoras y quiere volver a ponerlo como estaba ajustado de fábrica.

- "UP" significa "up" (arriba): se utiliza para incrementar el valor del cuentahoras hasta el número de horas que se desee.

Para confirmar esta selección, parpadearán alternativamente en el visor el ajuste "UP" y la posición del cuentahoras. Seguidamente se deberá mantener oprimido el interruptor (R) durante 5 segundos. Transcurridos los 5 segundos, en la pantalla sólo aparecerán las letras "UP". En ese momento se deberá soltar de nuevo el interruptor.

Mediante cortas pulsaciones del interruptor se puede aumentar el valor del cuentahoras, en pasos de 500 horas, desde 4.500 hasta un valor máximo de 9.999. El valor superior seleccionado parpadeará en el visor alternativamente con "UP".

Una vez seleccionadas las horas que se desea, se deberá esperar 10 segundos. A los 10 segundos aparece en el visor el número de horas seleccionado y se inicia la cuenta atrás del temporizador.

En caso de que se equivoque al aumentar la posición del cuentahoras, se podrá hacer retroceder el contador a 4.500 manteniendo pulsado el interruptor 5 segundos. Así se reinicia el contador a 4.500 y se puede ajustar éste al valor que se desee.

- "dn" significa "down" (abajo): se utiliza para reducir el valor del cuentahoras hasta el número de horas que se desee.

Para confirmar esta selección, parpadearán alternativamente en el visor el ajuste "dn" y la posición del cuentahoras. Seguidamente se deberá mantener oprimido el interruptor (R) durante 5 segundos. Transcurridos los 5 segundos, en la pantalla sólo aparecerán las letras "dn". En ese momento se deberá soltar de nuevo el interruptor.

Mediante cortas pulsaciones del interruptor se puede reducir el valor del cuentahoras hasta un valor mínimo de 0000. El valor inferior seleccionado parpadeará en el visor alternativamente con "dn".

Una vez seleccionadas las horas que se desea, se deberá esperar 10 segundos. A los 10 segundos aparece en el visor el número de horas seleccionado y se inicia la cuenta atrás del temporizador.

En caso de que se equivoque al reducir la posición del cuentahoras, se podrá hacer retroceder el contador a 4.500 manteniendo pulsado el interruptor 5 segundos. Así se reinicia el contador a 4.500 y se puede ajustar éste al valor que se desee.

El cuentahoras indica de la siguiente manera que se ha de sustituir la lámpara:

- A partir de la posición de 0672 horas: el visor parpadea cada segundo. La lámpara se deberá sustituir dentro de 4 semanas.
- A partir de la posición de 0336 horas: el visor parpadea cada medio segundo; la lámpara se tiene que cambiar dentro de 2 semanas.
- A partir de la posición de 0168 horas: el visor parpadea cada ¼ de segundo; la lámpara se tiene que cambiar dentro de 1 semana.
- Al llegar a la posición de 0000 horas, las cifras permanecen parpadeando rápidamente y el cuentahoras dejará de contar. La lámpara se deberá sustituir.

Desmontaje y mantenimiento

Para realizar trabajos de mantenimiento y desmontaje del aparato se deberá desconectar la alimentación de corriente eléctrica. El aparato se deberá limpiar 2 veces al año. Al aumentar el desarrollo de algas y/o los depósitos de cal se deberá limpiar el tubo de cuarzo (M) en el que se encuentra la lámpara. La lámpara especial se deberá sustituir a más tardar después de 4.500 horas de servicio. Limpie la parte interior de acero inoxidable con un cepillo suave.

- 1 Suelte los acoplamientos de tres piezas (I) y deje que se vacíe el agua del aparato.
- 2 Suelte el anillo roscado (N) y retire la lámpara (K) del portalámparas (L). Saque la lámpara del tubo de cuarzo y, de ser necesario, sustituya la lámpara especial (K). Esto hay que hacerlo con cuidado, ya que se trata de piezas que se pueden dañar muy fácilmente.
- 3 Quite con cuidado el vidrio de cuarzo (M) utilizando un destornillador plano grande (véase el dibujo 3). ¡En ningún caso se deberá forzar!
- 4 Limpie el vidrio de cuarzo con un medio adecuado para este fin. Utilice siempre un paño suave para limpiar el vidrio y evite que se produzcan arañazos.
- 5 Al volver a colocar el tubo de cuarzo en el alojamiento, tenga en cuenta la posición correcta de las 3 arandelas de estanqueidad (P) e introduzca el extremo del tubo de cuarzo cuidadosamente en el soporte (Q) (véase el dibujo 4). ¡En ningún caso se deberá forzar!
- 6 Coloque cuidadosamente la lámpara en el tubo de cuarzo y acople la lámpara (K) al portalámparas (L). Ponga el anillo roscado (N) en la carcasa.
- 7 El conjunto eléctrico se encuentra en la caja del visor (S) del aparato. La caja del visor va encolada y no se puede abrir. Para cambiar el conjunto eléctrico o el visor hay que desenroscar y retirar la caja completa y soltar los cables del aparato (véase el dibujo 1). Suelte el anillo roscado (N) y retire con cuidado el portalámparas de la lámpara. Atención: Guarde bien las distintas piezas sueltas, como los elementos de puesta a tierra, etc. Estas piezas no se suministran con una carcasa o un conjunto eléctrico nuevos. En caso de duda sobre la conexión, consulte con un instalador eléctrico autorizado.
- 8 Si se ha de sustituir la carcasa, se deberá retirar primero la toma de tierra (J) y la parte eléctrica con el visor (S) de la carcasa (U) (véase el dibujo 1 y 2). Suelte la parte eléctrica con el visor (S) y el portalámpara de la carcasa. Atención: Guarde bien las distintas piezas sueltas de la toma de tierra. Estas piezas no se suministran con la carcasa nueva. Quite la lámpara (K) y el tubo de cuarzo (M) de la carcasa para evitar que se produzcan daños durante el transporte. En caso de duda sobre la conexión, consulte con un instalador eléctrico autorizado.
- 9 Suelte el interruptor de flujo del reductor. Suelte los acoplamientos de tres piezas y desmonte la carcasa de las abrazaderas.

Especificaciones técnicas

• Lámpara Philips TUV T5	130 W
• Potencia UV-C (W)	50 W
• UV-C (%) después de 4.500 horas	85%
• Capacidad de la piscina (L.)	150.000 L
• Caudal máx.	30.000 l/h
• Presión máx.	3 bar
• Conexión	Ø63mm
• Longitud del aparato	100cm

Tipos de sistemas UV-C

Número de artículo: B210006 Blue Lagoon UV-C Timer 150.000L / 130 W (230 V; 50/60 Hz)

Lámparas de recambio

Número de artículo: E800904 Lámpara tipoTUV 130 W 4P-SE Amalgam (130 W)

Condiciones de garantía

Al decidirse por este producto ha elegido usted una opción excelente. Este aparato está ensamblado con el mayor esmero y de conformidad con todas las prescripciones de seguridad vigentes. Para asegurar la mejor calidad, el proveedor ha utilizado exclusivamente materiales de selectos. El proveedor garantiza el aparato contra defectos de material y de fabricación por un periodo de 2 años a partir de la fecha de adquisición. La lámpara y el tubo de cuarzo no se incluyen en la garantía. Las reclamaciones de garantía sólo se podrán atender si el producto se devuelve con portes pagados y provisto de un justificante de compra válido. Las reparaciones en régimen de garantía sólo las deberá realizar el proveedor.

No se admitirán reclamaciones de garantía por causas debidas a instalación o manejo inadecuados. Quedan también excluidos de la garantía los defectos originados por un mantenimiento deficiente. El proveedor no asume ninguna clase de responsabilidad por daños ocasionados por un uso inapropiado del producto. El proveedor no será responsable por daños indirectos debidos a fallo del aparato. Las reclamaciones por daños durante el transporte sólo se aceptarán si éstos han sido comprobados o confirmados por el transportista, o por el servicio de correos, en el momento de la entrega. Sólo en tal caso se podrán formular reclamaciones al transportista o al servicio de correos.

Blue Lagoon UV-C Timer 150.000 Amalgam

I

Prima di installare questo apparecchio, leggere attentamente le presenti istruzioni per l'uso.

Funzionamento

L'apparecchio Timer Blue Lagoon UV-C genera raggi UV-C con una lunghezza d'onda di 253,7 nm grazie alla speciale lampada Philips UV, che ha un'azione di eliminazione dei batteri (fra cui quelli della legionella). L'apparecchio Timer Blue Lagoon UV-C assicura un'acqua pulita, fresca e trasparente in modo efficiente ed ecologico. L'acqua viene trasportata attraverso l'apparecchio a UV-C mediante una pompa. Le radiazioni UV-C neutralizzano i batteri, i virus e gli altri organismi primitivi, e ne arrestano la moltiplicazione. La lampada Amalgam non è sensibile alle oscillazioni termiche dell'acqua e fornisce un potente irraggiamento costante di UV-C a 50 Watt. La lampada UV-C è nota per essere la lampada UV-C più potente fra quelle disponibili nel mercato. L'apparecchio Timer Blue Lagoon UV-C è dotato di una zavorra elettronica ad alta frequenza integrata. Questa zavorra assorbe le variazioni di corrente, proteggendo così la lampada. L'apparecchio comprende inoltre un contatore integrato, per mantenere un conteggio accurato delle ore di funzionamento. Esso consente di sapere esattamente quando occorre sostituire la lampada. L'interno di acciaio inossidabile fornisce un riflesso aggiuntivo delle radiazioni UV-C, aumentando fino al 35% l'efficienza dell'apparecchio. Grazie al Timer UV-C Blue Lagoon, l'acqua risulterà disinfettata in modo sicuro ed efficiente, mantenendo una qualità eccellente. Con collegamenti universali. L'apparecchio può essere collegato tramite un tubo in PVC (Ø 50 e 63 mm).

Vantaggi del trattamento UV-C:

- Mantiene l'acqua fresca, pulita e trasparente
- Disinfetta l'acqua in modo efficiente e sicuro
- I raggi UV-C scindono i composti clorati
- Protegge dai ceppi batterici quando si fa il bagno
- Tiene sotto controllo la formazione di muffe, batteri e alghe
- Permette di ridurre fino all'80% l'uso di cloro e altre sostanze chimiche
- Previene l'odore di cloro e l'irritazione alla pelle e agli occhi (arrossamento)
- Più ecologico rispetto ai metodi tradizionali

Vantaggi del Timer UV-C Blue Lagoon:

- Dispositivo elettronico integrato di preattivazione, per un'alimentazione uniforme.
- Dotata di interruttore di flusso che disattiva l'apparecchio quando è attraversato dall'acqua
- Fino al 35% in più di rendimento UV-C grazie al riflesso
- Eroga raggi UV-C a 50 Watt
- Dotato di lampada UV-C Philips
- Contatore regolabile integrato per la lampada a UV-C
- Indicazione digitale di quando occorre sostituire la lampada
- Alloggiamento in acciaio inossidabile 316L
- Facilità di installazione e manutenzione
- 2 anni di garanzia sui difetti di fabbricazione
- Collegamento a massa
- Adattatori da 63 a 50 mm di diametro in dotazione

Sicurezza

Questo apparecchio produce raggi nocivi. Il contatto diretto può costituire un rischio per gli occhi e la pelle. Controllare il funzionamento della lampada e UV-C esclusivamente attraverso i componenti trasparenti dell'unità.

- Inserire sempre la spina dell'apparecchio in una presa con uno sportellino.
- Per un collegamento permanente alla rete elettrica occorre soddisfare le prescrizioni dell'azienda elettrica. In caso di dubbio sul collegamento, consultare un installatore autorizzato o l'azienda elettrica. Utilizzare sempre un interruttore di perdite a massa.
- In caso di utilizzo di sostanze per il trattamento dell'acqua o di medicinali occorre disattivare l'apparecchio.
- Prima di eseguire interventi di manutenzione o riparazione dell'apparecchio, estrarre sempre la spina dalla presa. Non inserire e non estrarre mai la spina dalla presa con le mani bagnate o quando ci si trova in una pozzanghera.
- Non immergere mai l'apparecchio nell'acqua.
- Non installare mai l'apparecchio in una zona in pieno sole.
- Tenere l'apparecchio e il cavo fuori dalla portata dei bambini.
- Il cavo di questo apparecchio non può essere sostituito. In caso di danni al cavo di alimentazione occorre sostituire la parte elettrica completa dell'apparecchio. Non eliminare mai la spina, ma lasciare intatta la sezione elettrica. La sezione elettrica con la spina tagliata non è

coperta da garanzia.

- Dopo la disattivazione dell'apparecchio, la lampada rimane calda ancora per 10 minuti circa.
- Non utilizzare l'apparecchio in caso di danni ai componenti (in particolare al vetro al quarzo).
- Se vi è rischio di gelo nei mesi invernali, smontare l'apparecchio.
- L'alloggiamento di acciaio inossidabile dell'apparecchio non è adatto per le piscine salate con un elevato tenore di sale. Se il tenore di sale è eccessivo, l'acciaio si ossida e l'alloggiamento si danneggia. Installare sempre l'apparecchio immediatamente a valle del filtro
- Questo prodotto deve essere utilizzato esclusivamente secondo le direttive fornite in questo manuale.

Installazione del collegamento a massa (Disegno 1)

- 1 Prima di montare il dispositivo antitrazione in plastica **(F)** sul bullone di collegamento a massa **(A)** occorre fare passare il cavo **(B)** attraverso il dispositivo antitrazione **(F)**. Montare il dispositivo antitrazione **(F)** a circa 10 cm di distanza dall'occhiello **(H)** del cavo di collegamento a massa **(B)**.
- 2 Disporre l'occhiello **(H)** del cavo **(B)** sul bullone di collegamento a massa **(A)** fissato all'alloggiamento.
- 3 Montare quindi una rondella dentata **(C)**, un dado esagonale **(D)** e un'altra rondella dentata **(E)** sull'occhiello **(H)**.
- 4 Fissare il dispositivo antitrazione **(F)** su di essa in modo da creare un'asola di 5 cm di diametro.
- 5 In ultimo, montare il dado di sicurezza **(G)** sul bullone di collegamento a massa **(A)**.
- 6 Dopo avere montato i vari dadi nell'ordine giusto sul bullone di collegamento a massa **(A)**, serrarli con una chiave a brugola o a testa esagonale numero 8. Non serrare eccessivamente i dadi, poiché il dispositivo antitrazione può rompersi.
(Il dado trasparente avvitato al bullone di collegamento a massa **(A)** non ha alcuna funzione e può essere gettato via).

Installazione dell'apparecchio (Disegno 2)

Non installare mai il Timer Blue Lagoon UV-C direttamente a valle del regolatore di pH o del sistema di elettrolisi del sale della piscina. Il punto migliore in cui installare l'apparecchio è direttamente a valle del filtro. Non immergere mai questo apparecchio nell'acqua. Installare sempre l'apparecchio fuori dalla vasca. Lasciare circa 1 di spazio per poter smontare la lampada **(K)** / il vetro al quarzo **(M)** per la sostituzione e/o la manutenzione.

- 1 L'apparecchio deve sempre essere fissato in posizione verticale.
- 2 Svitare la guarnizione filettata **(N)** dall'alloggiamento **(U)**. Estrarre la lampada a UV-C **(K)** dall'involucro in dotazione (vedere l'imballaggio) e inserire delicatamente la lampada nel vetro al quarzo **(M)**. Collegare delicatamente il portalampana bianco **(L)** alla lampada a UV-C **(K)**, quindi avvitare manualmente la guarnizione filettata **(N)** sull'alloggiamento **(U)**.
- 3 La base di incollaggio per l'interruttore di flusso **(V)** deve essere incollata con la filettatura **(W)** rivolta verso l'alto sul giunto tripartito **(I)** (vedere il disegno 2). La base di incollaggio **(V)** può essere incollata al giunto tripartito inferiore **(I)**. Montare l'interruttore di flusso **(X)** fissato all'apparecchio elettronico di preattivazione **(S)** diritto sulla filettatura **(U)** della base di incollaggio **(V)** (vedere il disegno 2). Se l'interruttore di flusso viene montato in altro modo, l'apparecchio non funziona. La freccia presente sull'interruttore di flusso **(X)** deve sempre trovarsi nella direzione del flusso dell'acqua. In caso contrario, la lampada Blue Lagoon UV-C Amalgam rimane spenta.
- 4 Montare i morsetti in dotazione **(O)** in un punto definito, fissare l'unità alle fascette per tubi e serrare il giunto tripartito **(I)**. Prestare attenzione alla posizione delle guarnizioni di tenuta **(P)** sia a livello dei collegamenti, sia del vetro al quarzo (vedere il disegno 2).
- 5 5 Montare l'unità utilizzando il giunto ripartito **(I)** e la base di incollaggio per l'interruttore di flusso **(V)** nel circuito. L'ingresso e l'uscita del giunto tripartito hanno un diametro di 63 mm. Se i tubi hanno un diametro inferiore a 63 mm, si può utilizzare l'adattatore (Ø 63 x Ø 50 mm) **(T)**. Essa può essere montata nel giunto tripartito **(I)** e nella base di incollaggio per l'interruttore di flusso **(V)**. All'interno dell'adattatore **(T)** vi è da un lato una filettatura che permette di montare un eventuale manicotto con guarnizione di tenuta (non in dotazione).
- 6 Azionare la pompa e controllare che il sistema non presenti perdite e che l'acqua fluisca senza ostacoli.
- 7 Inserire la spina dell'apparecchio UV-C in una presa a muro con collegamento a massa e dotato di interruttore di perdite a massa. Controllare che la lampada sia accesa attraverso i componenti trasparenti dell'apparecchio. Per disattivare l'apparecchio, estrarre la spina dalla presa.
- 8 Se l'apparecchio non viene attraversato dall'acqua, l'interruttore di flusso si disattiva automaticamente. Per disattivare l'apparecchio in modo permanente, estrarre la spina dalla presa.

Istruzioni per l'uso del contaore digitale

Quando il Timer Blue Lagoon UV-C è attivato, il programma esegue automaticamente una prova. Il display visualizza automaticamente le seguenti indicazioni: 8888 (visualizzazione prova) ; r e numero di versione del software ; 50H o 60H indicazione della frequenza di rete A questo punto, il display passa alla modalità contaore.

Se la lampada UV-C viene attivata per la prima volta, o dopo avere utilizzato la funzione di "reset", sul display viene visualizzato il valore 4500. Accanto alla cifra più a destra sul display lampeggia una volta al secondo un punto che indica che il contaore è in funzione.

Il display è impostato automaticamente sul valore impostato alla fabbrica di 4500 ore. Fino a 4500 ore, la lampada a UV-C fornisce il 100% dell'efficacia delle radiazioni. Dopo 4500 le radiazioni diventano meno intense e possono essere insufficienti per il risultato desiderato. Se la lampada UV-C è in uso da lungo tempo ed è già stata attivata in precedenza, dopo l'attivazione sul display viene visualizzato il valore indicato prima della disattivazione della lampada UV-C. Se il valore del contaore è stato aumentato o ridotto dall'utente, viene visualizzata l'ultima posizione del contaore indicata sul display prima della disattivazione.

Se lo si desidera, è possibile modificare le impostazioni del contaore. A questo scopo, procedere come segue:

Dopo avere tenuto premuto per il 5 secondi l'interruttore (**R**) sotto il display, su di esso compare la scritta "rSt", a indicazione del fatto che è stato selezionato il menu per l'utente. Dopo avere rilasciato l'interruttore (**R**), sul display si alternano la posizione del contaore e la scritta "rSt". Premendo brevemente l'interruttore, si visualizzano le possibilità offerte dal menu. Il menu offre 3 possibilità di regolazione: "**rSt**" "**UP**" e "**dn**".

- "**rSt**" significa reset: esso consente di riportare il contaore all'impostazione di fabbrica di 4500 ore.

Questa scelta è confermata dal fatto che sul display si alternano la posizione del contaore e la scritta "rSt". Tenendo premuto l'interruttore (**R**) per 5 secondi, e rilasciandolo dopo che è comparso il valore 4500, il contaore riparte a contare a partire dal valore di 4500 ore. Utilizzare questa selezione ad esempio dopo che si è sostituita la lampada o si è modificata la posizione del contaore e si desidera ripristinare le impostazioni di fabbrica.

- "**UP**" significa up (su): questa opzione permette di aumentare la posizione del contaore alla posizione desiderata.

Questa scelta è confermata dal fatto che sul display si alternano l'impostazione dell'utente "UP" e la posizione del contaore. Tenere quindi premuto l'interruttore (**R**) per 5 secondi. Dopo 5 secondi, sul display rimane visualizzata soltanto la scritta "UP". A questo punto occorre rilasciare l'interruttore.

Premendo brevemente l'interruttore, il valore del contaore può essere aumentato a passi di 500 ore da 4500 ore a un massimo di 9999. Il valore aumentato si alterna con la scritta "UP" sul display.

Dopo avere selezionato la posizione desiderata, attendere 10 secondi. Dopo 10 secondi, viene visualizzata la posizione selezionata, e il timer inizia il conteggio all'indietro.

Se mentre si aumenta la posizione del contaore si compie un errore, è possibile riportare il contaore al valore di 4500 tenendo premuto l'interruttore per 5 secondi. Il valore del contaore viene riportato a 4500 ed è possibile impostare un nuovo valore.

- "**dn**" significa giù (down): questa opzione permette di ridurre la posizione del contaore alla posizione desiderata.

Questa scelta è confermata dal fatto che sul display si alternano l'impostazione dell'utente "dn" e la posizione del contaore. Tenere quindi premuto l'interruttore (**R**) per 5 secondi. Dopo 5 secondi, sul display rimane visualizzata soltanto la scritta "dn". A questo punto occorre rilasciare l'interruttore.

Premendo brevemente l'interruttore, il valore del contaore può essere ridotto a passi di 500 ore da 4500 ore a un minimo di 0000. Il valore ridotto si alterna con la scritta "dn" sul display.

Dopo avere selezionato la posizione desiderata, attendere 10 secondi. Dopo 10 secondi, viene visualizzata la posizione selezionata, e il timer inizia il conteggio all'indietro.

Se mentre si riduce la posizione del contaore si compie un errore, è possibile riportare il contaore al valore di 4500 tenendo premuto l'interruttore per 5 secondi. Il valore del contaore viene riportato a 4500 ed è possibile impostare un nuovo valore.

Il valore indica come segue che è necessario sostituire la lampada:

- Dalla posizione 0672; il display lampeggia una volta al secondo. La lampada deve essere sostituita fra 4 settimane.
- Dalla posizione 0336; il display lampeggia una volta ogni mezzo secondo; la lampada deve essere sostituita fra 2 settimane.
- Dalla posizione 0168; il display lampeggia una volta ogni quarto di secondo; la lampada deve essere sostituita fra 1 settimana.
- Nella posizione 0000 le cifre lampeggiano rapidamente e il contaore cessa il conteggio all'indietro. La lampada deve essere sostituita.

Smontaggio/Manutenzione

Per la manutenzione/lo smontaggio dell'apparecchio, disattivare sempre l'alimentazione di corrente.

L'apparecchio deve essere pulito due volte all'anno. Quando la crescita di alghe e/o i depositi di calcare aumentano, occorre pulire il tubo di vetro al quarzo (**M**) in cui è inserita la lampada. La lampada speciale deve essere sostituita al massimo dopo 4.500 ore di funzionamento.

Pulire l'interno in acciaio inossidabile con una spazzola morbida.

- 1 Staccare i giunti tripartiti (**I**) e lasciare defluire l'acqua dall'apparecchio.
- 2 Svitare la guarnizione filettata (**N**) e staccare la lampada (**K**) dal portalamada (**L**). Estrarre la lampada dal vetro al quarzo e se necessario sostituire la lampada speciale (**K**). Procedere delicatamente, poiché si tratta di componenti molto fragili.
- 3 Smontare delicatamente il vetro al quarzo (**M**) utilizzando un grande cacciavite piatto (**vedere il disegno 3**). Non forzare!

- 4 Pulire il vetro al quarzo con un detergente adatto. Utilizzare sempre un panno morbido per pulire il vetro ed evitare di graffiarlo.
- 5 Durante il montaggio del vetro al quarzo nell'alloggiamento, prestare attenzione che le 3 guarnizioni di tenuta **(P)** siano posizionate correttamente, e fare scorrere delicatamente l'estremità del vetro al quarzo nel ricettacolo **(Q)** (**vedere il disegno 4**). Non forzare!
- 6 Rimontare delicatamente la lampada nel vetro al quarzo e montare la lampada **(K)** nel portalampana **(L)**. Riavvitare la guarnizione filettata **(N)** sull'alloggiamento.
- 7 La parte elettrica dell'apparecchio si trova nell'armadio del display **(S)** sull'apparecchio. Questo armadio del display è incollato e non si apre. Quando si sostituisce la parte elettrica o il display, occorre svitare l'armadio elettrico completo e staccare i fili dell'apparecchio (**vedere il disegno 1**). Svitare il coperchio a vite **(N)** e staccare delicatamente il portalampana dalla lampada. Conservare con cura i vari componenti sciolti del collegamento a massa ecc. Questi non vengono forniti con un nuovo alloggiamento o con una nuova parte elettrica. In caso di dubbi sul collegamento, consultare un installatore riconosciuto.
- 8 Se occorre sostituire l'alloggiamento, occorre prima staccare il collegamento a massa **(J)** e la sezione elettrica con il display **(S)** dall'alloggiamento **(U)** (**vedere i disegni 1 e 2**). Svitare la sezione elettrica con il display **(S)** e il portalampana dall'alloggiamento. Conservare con cura i vari componenti sciolti del collegamento a massa. Questi non vengono forniti in dotazione con un nuovo alloggiamento. Smontare la lampada **(K)** e il vetro al quarzo **(M)** dall'alloggiamento per evitare i danni durante il trasporto. In caso di dubbi sul collegamento, consultare un installatore riconosciuto.
- 9 Staccare l'interruttore di flusso dalla base di incollaggio. Svitare i giunti tripartiti e smontare l'alloggiamento dai morsetti.

Specifiche tecniche

• Lampada Philips TUV T5	130 Watt
• Emissione di UV-C (W)	50 Watt
• UV-C (%) dopo 4.500 ore	85%
• Capacità della piscina (L)	150.000 L
• Flusso max.	30.000 l/h
• Pressione max.	3 bar
• Collegamento	Ø63mm
• Lunghezza dell'apparecchio	100cm

Tipi di sistemi UV-C

Numero articolo: B210006 Timer Blue Lagoon UV-C da 150.000 L / 130 Watt (230 V; 50/60 Hz)

Lampade da sostituire

Numero articolo: E800904 Lampada tipo TUV 130 Watt 4P-SE Amalgaam (130 Watt)

Condizioni di garanzia

Acquistando questo prodotto, ha compiuto una scelta eccellente. L'apparecchio è assemblato con cura e in ottemperanza a tutte le prescrizioni per la sicurezza. Per garantirne la qualità, il fornitore ha utilizzato esclusivamente materiali superiori. L'apparecchio è garantito dal fornitore per 2 anni dalla data di acquisto per i difetti dei materiali e di fabbricazione. La lampada e il vetro al quarzo non sono coperti da garanzia. La garanzia si applica soltanto a condizione che il prodotto sia rispedito franco fabbrica unitamente a una prova di acquisto valida. Le riparazioni in garanzia devono essere effettuate esclusivamente dal fornitore.

Non si riconosce alcuna garanzia per guasti causati da errori di installazione o di azionamento. I guasti causati da una manutenzione insufficiente non sono coperti da garanzia. Il fornitore declina ogni responsabilità per i danni causati da un uso errato del prodotto. Il fornitore non può essere considerato responsabile dei danni conseguenti al mancato funzionamento dell'apparecchio. I reclami basati sui danni durante il trasporto possono essere accettati soltanto a condizione che il danno sia stato constatato o confermato al momento della consegna dal trasportatore o dall'addetto alla consegna postale. Soltanto in questo caso è possibile rivalersi sul trasportatore o sul servizio postale.

Blue Lagoon UV-C Timer 150.000 Amalgam

P

Leia atentamente as instruções de uso antes de instalar este aparelho.

Funcionamento

A lâmpada especial UV da Philips provoca uma radiação UV-C com um comprimento de onda de 253,7 nm no Blue Lagoon UV-C Timer, que se encarrega de eliminar bactérias (como a que provoca a doença do legionário). O Blue Lagoon UV-C Timer proporciona de maneira eficiente e amigável do ambiente água limpa, fresca e clara. A água é transportada por meio de uma bomba pelo interior do aparelho UV-C. A radiação UV-C neutraliza as bactérias, vírus e outros organismos primitivos e trava a sua reprodução. A lâmpada de amálgama não é influenciada pelas oscilações de temperatura da água e gera uma radiação forte e constante de 50 Watt UV-C de output. A radiação da UV-C de amálgama é conhecida no mercado dos UV-C como a mais potente lâmpada de UV-C. O Blue Lagoon UV-C Timer contém um balastro electrónico de alta frequência. Este balastro absorve as variações de corrente e protege desse modo a lâmpada. Além disso o aparelho contém um contador de horas integrado que regista com precisão o número de horas de iluminação. Assim pode ver exactamente quando a lâmpada tem de ser substituída. Além disso o interior de aço inoxidável com efeito de reflexão da radiação de UV-C garante um melhoramento da eficiência que pode chegar até aos 35%. Graças ao Blue Lagoon UV-C Timer a sua água é desinfectada de uma maneira eficiente e segura mantendo uma qualidade excelente. Vem equipada com conectores universais. O aparelho pode ser ligado através de um tubo de PVC (Ø 50 e 63 mm).

Vantagens de tratamento com UV-C:

- Proporciona água limpa, fresca e límpida
- Desinfecta a água de maneira eficiente e segura
- Luz UV-C degrada compostos de cloro
- Protege a piscina contra agentes patogénicos
- Controla a formação de fungos, bactérias e algas
- Torna possível a redução de cloro e outros químicos até 80%
- Evita o cheiro a cloro e irritação da pele e dos olhos (olhos vermelhos)
- Amigo do ambiente quando comparado com métodos tradicionais

Vantagens do Blue Lagoon UV-C Timer:

- Balastro electrónico incorporado, que garante uma alimentação regular de corrente.
- Equipado com um interruptor Flow switch que desliga o aparelho quando não há circulação de água.
- Produção extra de UV-C até 35% por reflexão
- Tem uma saída (output) de UV-C de 50 Watt
- Tem uma lâmpada UV-C Philips
- Contador de horas ajustável integrado para a lâmpada UV-C
- Indicação digital de quando a lâmpada deve ser substituída
- Caixa de aço inoxidável 316L
- Instalação e manutenção simples
- 2 anos de garantia sobre falhas de fabrico
- Tem ligação terra
- Conexões redutoras de Ø 63mm para Ø 50mm incluídas

Segurança

Este aparelho provoca radiação prejudicial. O contacto directo pode ser perigoso para os olhos e a pele. Controle o funcionamento da lâmpada UV-C exclusivamente através das partes transparentes da unidade

- Ligue a ficha do aparelho sempre a uma tomada com uma tampa de protecção
- Para uma ligação permanente à rede eléctrica devem ser observados os requisitos de segurança da companhia de electricidade. Em caso de dúvidas consulte um electricista profissional reconhecido ou a companhia de electricidade. Aplique sempre um disjuntor diferencial na instalação.
- O aparelho deve estar desligado durante a aplicação de produtos de tratamento de água ou medicamentos.
- Desligue o aparelho da corrente eléctrica sempre que efectue operações de manutenção ou reparações. Nunca retire ou coloque a ficha na tomada se estiver dentro de uma poça de água ou tenha as mãos molhadas.
- Não mergulhe nunca o aparelho na água.
- Não instale o aparelho em local exposto à radiação solar.
- Mantenha as crianças afastadas deste aparelho e cabo de alimentação.
- O cabo de alimentação não é substituível. No caso de apresentar danos deve-se substituir a parte eléctrica por inteiro. Não substitua nunca

- a ficha e mantenha a parte eléctrica intacta. Uma parte eléctrica sem a ficha original fica excluída da garantia.
- A lâmpada permanece quente pelo menos ainda 10 minutos após ter sido desligada.
 - No caso de deterioração das peças (sobretudo no vidro de quartzo), não utilizar o aparelho.
 - Havendo o perigo de congelamento durante os meses de Inverno, deve desmantelar o aparelho.
 - A armação INOX do aparelho não pode ser utilizada em piscinas de água salgada com uma alta concentração de sal. Com uma concentração alta de sal o aço oxida o que leva a uma deterioração irreparável da armação. Instale o aparelho sempre a seguir ao filtro.
 - Este produto deve ser utilizado exclusivamente segundo as instruções constantes deste manual.

Instalação do cabo terra (Desenho 1)

- 1 Antes de montar o protector sintético (F) no parafuso terra (A), tem de passar primeiro o cabo (B) pelo protector (F). Coloque o protector (F) a cerca de 10cm de distância do olhal (H) do cabo terra (B).
- 2 Coloque o olhal (H) do cabo (B) sobre o parafuso terra (A) que está fixado à armação.
- 3 Coloque seguidamente a anilha recartilhada (C), a porca sextavada (D) e novamente uma anilha recartilhada (E) sobre o olhal (H).
- 4 Fixe o protector (F) por cima de modo a que surja um arco de Ø 5cm.
- 5 Por fim monte a contra porca (G) em cima do parafuso terra (A).
- 6 Se as diversas porcas foram colocadas na ordem exacta no parafuso terra (A), esta pode depois com uma chave de bocas ou de sextavado interior número 8, ser apertada. Contudo cuidado para não apertar demais para não rachar o protector sintético. (A porca transparente enroscada no parafuso terra (A) dentro da embalagem, não tem qualquer serventia e pode ser deixada fora).

Instalação do aparelho (Desenho 2)

Não instale nunca o Blue Lagoon UV-C Timer directamente a seguir ao regulador de PH ou sistema de electrólise de sal da sua piscina. O melhor local para instalar o aparelho é imediatamente a seguir ao filtro. Não mergulhe nunca o aparelho na água. Fazer a instalação sempre fora da piscina. Certifique-se que deixou o espaço livre suficiente +/- 1 metro para substituição ou manutenção da lâmpada (K)/ vidro de quartzo (M).

- 1 O aparelho deve ser instalado em posição vertical.
- 2 Desenrosque a rosca de anel (N) da armação (U). Retire a lâmpada UV-C (K) de dentro do tubo protector (veja-se embalagem) e introduza-a com cuidado no vidro de quartzo (M). Encaixe com cuidado a lâmpada UV-C (K) no suporte branco de lâmpada (L) e enrosque com a mão a seguir a rosca de anel (N) na armação (U).
- 3 A peça de ligação destinada à aplicação do interruptor flow switch (V) é colada à união de três peças (I) com a rosca (W) virada para cima (veja-se figura 2). A peça de ligação (V) pode ser colada à união de três peças inferior (I). Faça a montagem do interruptor flow switch (X) que se encontra fixado ao balastro electrónico (S) directamente sobre a rosca (U) da peça de ligação (V). (veja-se figura 2). Se o interruptor flow switch estiver montado de outro modo, o aparelho não funciona. A pequena seta por cima do interruptor flow switch (X) tem de apontar sempre para a direcção de circulação da água. Se acontecer que esta seta aponta para a direcção contrária à circulação da água a lâmpada Blue Lagoon UV-C Amálgama fica desligada.
- 4 Monte as braçadeiras de tubos fornecidas (O) num lugar fixo, fixe a unidade às braçadeiras e aperte as três ligações (I). Tome especial atenção à posição correcta das juntas vedantes (P) tanto nas ligações como no vidro de quartzo (veja-se desenho 2).
- 5 Monte no circuito a unidade por meio da união de três peças (I) e a peça de ligação destinada à aplicação do interruptor flow switch (V). A entrada e saída da união de três peças é de Ø 63 mm. No caso da tubagem ter um diâmetro inferior a 63 mm, pode utilizar a conexão redutora de (Ø 63 x Ø 50 mm) (T). Esta pode ser colada na união de três peças (I) e na peça de ligação destinada à aplicação do interruptor flow switch (V). No interior da conexão redutora (T) existe num dos lados uma rosca de modo a facilitar a ligação a um eventual adaptador com anilha vedante (não fornecidos).
- 6 Ponha a bomba a funcionar e controle o sistema quanto à passagem de água e existência de fugas
- 7 Ligue a ficha do aparelho UV-C a uma tomada com ligação terra e equipada com interruptor diferencial de corrente residual. Controle através das partes transparentes do aparelho se a lâmpada se acende. Só desligando a ficha da tomada se desliga completamente o aparelho.
- 8 Se a água deixar de correr no aparelho, o interruptor flow switch desliga automaticamente o aparelho. Para desligar permanentemente o aparelho deve retirar a ficha de alimentação da tomada.

Instruções de uso do contador de horas digital

Ao ligar o Blue Lagoon UV-C Timer o programa inicia um controle a si próprio. O visor dá as seguintes indicações consecutivas e automáticas: 8888 (display test) ; r e número de versão de software ; Indicação de rede de frequência 50H ou 60H
Seguidamente o visor mostra o número no contador.

Quando é a primeira vez que liga a lâmpada UV-C ou após fazer um “reset” (“reiniciação”), aparece o número 4500 no visor. Junto ao dígito

mais à direita pisca a cada segundo um ponto que é o indicador de que o contador está ligado. O visor marca o número de contagem introduzido a partir da fábrica de 4500 horas. Até às 4500 horas a lâmpada UV-C origina a sua radiação a 100%. Depois das 4500 horas a radiação fica mais fraca e pode tornar-se insuficiente para atingir os resultados pretendidos.

No caso de utilizar há mais tempo a lâmpada UV-C e esta já ter estado ligada então o visor irá visualizar o número anteriormente registado antes de desligar a lâmpada UV-C. No caso de você próprio ter alterado para cima ou para baixo o número de horas no contador então o visor vai o mostrar o último número registado antes de ter sido desligado.

Caso assim o pretenda, pode alterar o registo do contador de horas. Para tal deve agir do modo seguinte:

Carregue durante mais de 5 segundos o botão **(R)** por baixo do visor. O visor mostra agora "rSt" que indica que foi seleccionado o menu de utilizador. Após libertar o botão **(R)** começam a piscar à vez o número registado e o "rSt" no visor. Um toque curto de cada vez no botão levava a percorrer várias possibilidades num menu. Há 3 possibilidades de escolha no menu: "**rSt**", "**UP**" e "**dn**".

- "**rSt**" significa (reset): com esta função o contador volta ao ajuste de fábrica de 4500 horas.

Esta escolha é confirmada pelo piscar à vez do número registado e o "rSt". Se pretender mesmo fazer o "reset" carregue o botão **(R)** durante mais de 5 segundos, o visor volta a registar 4500, liberte depois o botão e a partir de agora o contador começa a contagem por ordem regressiva a partir das 4500 horas. Esta função pode ser utilizada quando substituiu a lâmpada ou quando você próprio tenha alterado o número de horas e desejar voltar a ajustá-lo ao valor de fábrica.

- "**UP**" significa (up): esta função permite aumentar o número de horas para o valor desejado.

Esta escolha é confirmada pelo piscar à vez do ajuste do utilizador "UP" e do número registado. Para continuar nesta função deve carregar durante mais de 5 segundos o botão **(R)**. Após os 5 segundos aparece no visor só "UP". Liberte agora o botão.

Com um toque curto cada vez no botão o contador passa do valor de fábrica de 4500 a subir em etapas de 500 de cada vez até um valor máximo de 9999. O novo valor aumentado pisca à vez com "UP" no visor.

Caso tenha seleccionado o número de horas desejado, espere agora 10 segundos. Após os 10 segundos o número de horas seleccionado aparece no visor e inicia-se a contagem regressiva no contador.

Se verificar que se enganou durante esta operação do aumento de horas, pode facilmente reajustar o contador para as 4500 horas carregando durante mais de 5 segundos no botão. Neste caso o valor no contador foi reiniciado para 4500 e pode seguidamente ser introduzido um novo valor.

- "**dn**" significa (down): esta função permite diminuir o número de horas para o valor desejado.

Esta escolha é confirmada pelo piscar à vez do ajuste do utilizador "dn" e do número registado. Para continuar nesta função deve carregar durante mais de 5 segundos o botão **(R)**. Após os 5 segundos aparece no visor só "dn". Liberte agora o botão.

Com um toque curto cada vez no botão o contador passa do valor de fábrica de 4500 a descer em etapas de 500 de cada vez até um valor mínimo de 0000. O novo valor reduzido pisca à vez com "dn" no visor.

Caso tenha seleccionado o número de horas desejado, espere agora 10 segundos. Após os 10 segundos o número de horas seleccionado aparece no visor e inicia-se a contagem regressiva no contador.

Se verificar que se enganou durante esta operação da redução de horas, pode facilmente reajustar o contador para as 4500 horas carregando durante mais de 5 segundos no botão. Neste caso o valor no contador foi reiniciado para 4500 e pode seguidamente ser introduzido um novo valor.

O contador de horas alerta para a substituição da lâmpada do modo seguinte:

- A partir do número 0672; o visor pisca uma vez por segundo. A lâmpada tem de ser substituída dentro de 4 semanas.
- A partir do número 0336; o visor pisca duas vezes por segundo. A lâmpada tem de ser substituída dentro de 2 semanas.
- A partir do número 0168; o visor pisca quatro vezes por segundo. A lâmpada tem de ser substituída dentro de 1 semana.
- Com um número de horas de 0000; os dígitos piscam rapidamente e o contador deixa de contar. A lâmpada tem de ser imediatamente substituída.

Desmontagem / Manutenção

Nas tarefas de manutenção/desmontagem desligue sempre o aparelho da corrente.

O aparelho deve ser limpo duas vezes por ano. Quando alguma ou calcificação aumentem, deve-se proceder à limpeza do tubo de vidro de quartzo **(M)** onde se encontra a lâmpada. A lâmpada tem de ser substituída após um máximo de 4.500 horas de utilização. O interior em INOX pode ser limpo com a utilização duma escova macia.

1 Desaperte as três ligações **(I)** e deixe escorrer a água do aparelho.

2 Desenrosque a rosca de anel **(N)** e desencaixe a lâmpada **(K)** do suporte **(L)**. Retire a lâmpada do vidro de quartzo e substitua se necessário a lâmpada especial **(K)**. É necessário um cuidado extremo por se tratar de material muito frágil.

3 Retire o vidro de quartzo **(M)** com cuidado utilizando para tal uma chave de fendas **(veja-se desenho 3)**. Não force nunca!

- 4 Limpe o vidro de quartzo com um produto adequado. Utilize sempre um pano macio na limpeza do vidro, evite riscos.
- 5 Ao recolocar o vidro na caixa tome atenção à posição das 3 juntas vedantes (**P**) e faça deslizar a ponta do vidro de quartzo com cuidado no bloco de apoio (**Q**) (**veja-se desenho 4**). Não force nada!
- 6 Volte a colocar com cuidado a lâmpada no vidro de quartzo e encaixe a lâmpada (**K**) ao suporte (**L**). Volte a enroscar a rosca de anel (**N**) na armação.
- 7 A parte eléctrica do aparelho encontra-se na caixa do visor (**S**) por cima do aparelho. Esta caixa foi colada e não se pode abrir. Se houver necessidade de substituir a parte eléctrica ou o visor deve desaparafusar-se a caixa por inteiro e desaparafusar as ligações eléctricas (**desenho 1**). Desenrosque a rosca de anel (**N**) e separe com cuidado a lâmpada do suporte de lâmpada. Tome atenção e guarde as variadas peças soltas como são as da ligação terra. Estas não são fornecidas com a armação ou parte eléctrica novas. Se eventualmente tiver dúvidas sobre as ligações deverá consultar o electricista profissional.
- 8 No caso de necessitar de substituir a armação, tem de tirar primeiro a ligação terra (**J**) e a parte eléctrica com o visor (**S**) da armação (**U**) (**veja-se desenhos 1 & 2**). Desaparafuse a parte eléctrica com o visor (**S**) e o suporte de lâmpada da armação. Desenrosque a tampa (**N**) e separe o casquilho da lâmpada com cuidado. Tome atenção e guarde as peças da ligação terra. Estas não são fornecidas com a armação ou parte eléctrica novas. Retire da armação a lâmpada (**K**) e o vidro de quartzo (**M**) para evitar quebra durante o transporte. Se eventualmente tiver dúvidas sobre as ligações deverá consultar o electricista profissional.
- 9 Separe o interruptor flow switch da peça de ligação. Desenrosque a união de três peças e retire a armação das braçadeiras de fixação.

Especificações Técnicas

• Lâmpada Philips TUV T5	130 Watt
• UV-C (W) output	50 Watt
• UV-C (%) após 4.500 horas	85%
• Capacidade piscina (L.)	150.000 L
• Deslocação máxima	30.000 l/h
• Pressão máxima	3 bar
• Ligação	Ø63mm
• Comprimento aparelho	100cm

Tipos de sistemas UV-C

Artigo número: B210006 Blue Lagoon UV-C Timer 150.000L / 130 Watt (230V; 50/60Hz)

Lâmpadas de substituição

Artigo número: E800904 Lamp tipo TUV 130 Watt 4P-SE Amalgam (130 Watt)

Condições de garantia

Fez a escolha certa com a aquisição deste produto. O aparelho foi construído com todos os cuidados e tendo em conta todas as medidas de segurança aplicáveis. Para alcançar a melhor qualidade possível o fabricante utilizou exclusivamente materiais de alta qualidade na fabricação. O fornecedor garante o aparelho durante 2 anos contra falhas de material e ou de fabricação. A lâmpada e o vidro de quartzo não são abrangidos por esta garantia. Os casos de garantia são apenas tratados quando o produto for enviado sem custos de transporte e acompanhado da nota de aquisição válida. Reparações dentro da garantia só podem ser executadas pelo fornecedor. A garantia não é reconhecida nos casos em que houve erros de instalação ou de manejo. Defeitos decorrentes de manutenção deficiente não são abrangidos pela garantia. O fornecedor não pode ser responsabilizado pelos prejuízos causados por uma falha do aparelho ou utilização errônea do aparelho. Reclamações que se referem a estragos motivados por transporte só são aceites quando os estragos no momento da entrega pelo expedidor ou correios foram pelos próprios constatados ou confirmados. Só nestes casos é possível, apresentar reclamações perante o expedidor ou correios.

Läs denna bruksanvisning noggrant innan du installerar apparaten.

Funktion

I Blue Lagoon UV-C Timer genereras UV-C-strålning med en våglängd på 253,7 nanometer av en speciell Philips UV-lampa som har bakteriedödande verkan (gäller bl.a. legionellabakterier). Blue Lagoon UV-C Timer ger rent, fräscht och klart vatten på ett effektivt och miljövänligt sätt. Vattnet förs genom UV-C-apparaten av en pump. UV-C-strålningen neutraliserar bakterier, virus och andra primitiva organismer och hindrar dem från att fortplantas. Amalgamlampan påverkas inte av temperaturväxlingar i vattnet och ger en jämn, kraftfull strålning på 50 Watt UV-C output. Amalgam UV-C är känt för att vara det kraftfullaste UV-C-ljus som finns att få på marknaden. Blue Lagoon UV-C Timer har en inbyggd högfrekvent elektronisk ballast. Denna ballast absorberar spänningsfall och skyddar på så sätt lampan. Apparaten innehåller också en integrerad timräknare som noggrant registrerar antalet timmar som den är i bruk. Du kan alltså exakt se när lampan behöver bytas ut. Dessutom reflekteras UV-C-ljuset på insidan som är av rostfritt stål, vilket gör att effektiviteten ökar med upp till 35%. Tack vare Blue Lagoon UV-C Timer så kommer vattnet i din pool/bassäng att desinficeras på ett effektivt och säkert sätt och en utmärkt vattenkvalitet bibehållas. Innehåller universella anslutningsdelar. Apparaten kan anslutas med hjälp av ett pvc-rör (Ø 50 och 63 mm).

Fördelar med UV-C-behandling:

- Ger fräscht, rent och klart vatten.
- Desinfekterar vattnet på ett effektivt och säkert sätt.
- UV-C-ljuset bryter ned bundet klor.
- Skyddar din pool mot sjukdomsalstrande organismer.
- Håller tillväxten av mögel, bakterier och alger under kontroll.
- Kan minska användningen av klor och andra kemikalier med upp till 80%
- Förhindrar klorlukt samt irriterad hud och röda ögon.
- Bättre för miljön än traditionella metoder.

Fördelar me Blue Lagoon UV-C Timer:

- Inbyggd elektroniskt förkopplingsdon för jämn strömförsörjning.
- Har en flödesbrytare som stänger av apparaten om inget vatten strömmar genom den.
- Upp till 35% mer UV-C-strålning tack vare reflekterande verkan.
- Har en UV-C output på 50 Watt.
- Philips UV-C-lampa.
- Integrerad inställningsbar timräknare till UV-C lampan.
- Anger digitalt när lampan måste bytas ut.
- 316 liters hölje av rostfritt stål
- Enkel installation och underhåll.
- 2 års garanti på tillverkningsfel.
- Jordad.
- Skarvdelar till Ø 63mm - Ø 50mm ingår.

Säkerhet

Apparaten framkallar skadlig strålning. Direktkontakt kan vara skadligt för ögon och hud. Kontrollera därför enbart UV-lampans funktion via enhetens genomskinliga delar.

- Stick alltid apparatens stickkontakt i en dosa med stängningsklaff.
- För en permanent anslutning till elnätet ska man uppfylla föreskrifterna från energileverantören. Vid eventuella tvivelsmål om anslutningen kontaktar man en behörig installatör eller energileverantören. Arbeta alltid med en jordomkopplare.
- Vid användning av hjälpmedel eller botemedel för vattenbehandling ska apparaten kopplas ifrån.
- Dra alltid ur kontakten ur eluttaget innan underhålls- eller reparationsverksamheter utförs på apparaten. Sätt aldrig i eller dra ur kontakten om du står i en pöl med vatten eller om händerna är våta.
- Sänk aldrig ned apparaten i vattnet.
- Apparatens kabel kan inte bytas ut.
- Se till att apparaten och sladden befinner sig utom räckhåll för barn.
- Apparatens kabel kan inte bytas ut. Om kabeln skadas måste hela den elektriska delen bytas ut. Ävlägsna aldrig kontakten utan låt den elektriska delen vara intakt. En eldel med avklippt kontakt täcks inte av garantin.

- När apparaten har stängts av fortsätter lampan att vara varm i ca tio minuter.
- Om en del av apparaten skadas (i synnerhet kvartsglaslet) får apparaten inte användas.
- Om det finns risk för att apparaten kan frysa till på vintern ska den tas bort.
- Höljet av rostfritt stål är inte lämpligt för saltvattenbassänger med hög salthalt. Vid höga salthalter oxiderar stålet och höljet skadas. Placera apparaten alltid direkt efter filtret.
- Denna produkt får endast användas efter de anvisningar som ges i den här bruksanvisningen.

Installera jordningen (Illustration 1)

- 1 Innan låssprinten av plast **(F)** monteras på jordningsbulten **(A)** ska kabeln **(B)** föras genom låssprinten **(F)**. Placera låssprinten **(F)** cirka 10cm från ringen **(H)** på jordningskabeln **(B)**.
- 2 Placera kabelns **(B)** ring **(H)** över jordningsbulten **(A)** som är fäst på höljet.
- 3 Trä sedan på en låsbricka **(C)**, sexkantig låsmutter **(D)** och ännu en låsbricka **(E)** på ringen **(H)**.
- 4 Sätt på låssprinten **(F)** ovanpå så att det uppstår en ögla på \varnothing 5cm.
- 5 Fäst till sist låsmuttern **(G)** på jordningsbulten **(A)**.
- 6 Om de olika skruvarna har fästs i rätt ordning på jordningsbulten **(A)** kan den nu dras åt med en (skift)nyckel nummer 8. Se till att bulten inte dras åt för hårt, då kan låssprinten skadas.
(Den genomskinliga muttern som vid leveransen skruvats fast på jordningsbulten **(A)** har inte längre någon funktion och kan kastas bort.)

Installera apparaten (Illustration 2)

Installera aldrig din Blue Lagoon UV-C Timer direkt efter pH-regleraren eller saltelektrolyssystemet i din simbassäng/pool. Det bästa stället att installera apparaten på är direkt efter filtret. Sänk aldrig ned apparaten i vatten. Installera den alltid utanför poolen. Se till att det finns cirka 1 meters utrymme för att ta loss lampan **(K)** / kvartsglaslet **(M)** för byte och/eller underhåll.

- 1 Apparaten ska sättas fast lodrätt.
- 2 Vrid loss skruvringen **(N)** från höljet **(U)**. Ta ut UV-C-lampan **(K)** ur den bifogade hylsan (se förpackning) och skjut försiktigt i lampan i kvartsglaslet **(M)**. Koppla försiktigt på den via lamphållaren **(L)** till UV-C-lampan **(K)** och skruva sedan på skruvringen **(N)** – dra inte åt för hårt – på höljet **(U)**.
- 3 Muffen till flödesbrytaren **(V)** ska limmas med gängan **(W)** uppåt på den tredelade kopplingen **(I)** (se ill.2). Muffen **(V)** kan limmas på den understa tredelade kopplingen **(I)**. Montera flödesbrytaren **(X)** som sitter på det elektroniska förkopplingsdonet **(S)** rakt ovanför gängan **(U)** på muffen **(V)** (se ill. 2). Om flödesbrytaren monteras på annat sätt fungerar inte apparaten. Pilen ovanpå flödesbrytaren **(X)** ska alltid peka i den riktning vattnet strömmar. Om den pekar i motsatt riktning (mot strömmen) kommer Blue Lagoon UV-C Amalgam inte att starta.
- 4 Montera de bifogade rörklämmorna **(O)** på en fast plats, fäst apparaten i rörklämmorna och vrid fast den tredelade kopplingen **(I)**. Se till att tätningsskivorna **(P)** sitter på rätt plats, både vid kopplingarna och vid kvartsglaslet (se ill. 2).
- 5 Montera enheten i kretsen med hjälp av den tredelade kopplingen **(I)** och muffen till förmån för flödesbrytaren **(V)**.. In- och utgångarna till den tredelade kopplingen är \varnothing 63 mm. Om ledningarna är mindre än 63 mm kan du använda skarvdelen (\varnothing 63 x \varnothing 50 mm) **(T)**. Denna kan limmas i den tredelade kopplingen **(I)** och i muffen till förmån för flödesbrytaren **(V)**. Insidan av skarvdelen **(T)** är gängad på ena sidan vilket gör det möjligt att montera en ev. skarvmuff inklusive tätningsskiva (ingår ej).
- 6 Sätt på pumpen och kontrollera att systemet fungerar som det ska och inte läcker.
- 7 Sätt i UV-C-apparatens kontakt i ett jordat eluttag med jordfelsbrytare. Kontrollera genom apparatens genomskinliga delar att lampan lyser. Man stänger av apparaten genom att dra kontakten ur eluttaget.
- 8 Om inget vatten strömmar genom apparaten stänger flödesbrytaren automatiskt av apparaten. Genom att dra kontakten ur eluttaget stänger man av apparaten permanent.

Bruksanvisning digital timräknare

Om Blue Lagoon UV-C Timer är påslagen kommer programmet att testa sig självt. Displayen anger följande: 8888 (display test) ; r och nummer programvaruversion ; 50H eller 60H: nätfrekvens
Sedan hoppar displayen till mätarställning.

Om UV-C-lampan används för första gången eller efter att "återställningsfunktionen" har använts kommer värdet 4500 visas. Vid siffran längst till höger på displayen blinkar varje sekund en punkt som anger att räknaren går.

Displayen står automatiskt på den fabriksinställda mätarställningen 4500 timmar. Upp till 4500 timmar har UV-C-lampan 100% verksam strålning. Efter 4500 timmar minskar strålningen och den kan vara otillräcklig för att uppnå önskat resultat.

Om UV-C-lampan har använts en tid och har varit påslagen tidigare, kommer displayen, när den slås på, att visa det värde som den hade innan UV-C-lampan stängdes av. Om du själv har ökat eller minskat timräknarens värde så anges den senaste inställningen som displayen

hade innan den stängdes av.

Inställningen för timräknaren kan om så önskas ändras. Gör så här:

Håll knappen **(R)** under displayen intryckt i 5 sekunder. Displayen visar "rSt" som tecken på att användarmeny har valts. När knappen **(R)** släpps blinkar mätarställningen och "rSt" omväxlande på displayen. Genom att trycka in knappen ett kort ögonblick kan du gå igenom alternativen i menyn. Det finns 3 inställningsmöjligheter i menyn: "**rSt**", "**UP**" och "**dn**".

- "**rSt**" betyder "reset" (återställ): härmed kan du ställa tillbaka mätarställningen till fabriksinställningen 4500 timmar.

Detta val bekräftas genom att mätarställningen och "rSt" blinkar omväxlande på displayen. Om du trycker in knappen **(R)** i 5 sekunder, så att mätarvärdet 4500 anges, och sedan släpper knappen igen kommer timräknaren att räkna ned från mätarställningen 4500 timmar. Detta val använder du när du till exempel har bytt ut lampan eller har ändrat mätarställningen och vill återställa den till fabriksinställningen.

- "**UP**" betyder "up" (upp): härmed kan du öka mätarställningen till önskad timinställning.

Detta val bekräftas genom att den valda användarinställningen "UP" och mätarställningen blinkar omväxlande på displayen. Håll sedan knappen **(R)** intryckt i 5 sekunder. På displayen visas efter 5 sekunder endast "UP". Släpp knappen.

Genom att trycka in knappen ett kort ögonblick kan mätarvärdet ökas: från startvärdet 4500 med 500 timmar i taget till ett maxvärde på 9999. Det nya värdet blinkar, omväxlande med "UP", på displayen.

När du har valt önskad timinställning väntar du 10 sekunder. Efter 10 sekunder visas den valda timinställningen i bild och timern börjar räkna ned.

Om du råkar göra fel när du ökar mätarställningen kan du ställa tillbaka mätaren till 4500 genom att hålla knappen intryckt i 5 sekunder. Mätarvärdet återställs till 4500 och ett nytt värde kan ställas in på nytt.

- "**dn**" betyder "down" (ned): härmed kan du sänka mätarställningen till önskad timinställning.

Detta val bekräftas genom att den valda användarinställningen "dn" och mätarställningen blinkar omväxlande på displayen. Håll sedan knappen **(R)** intryckt i 5 sekunder. På displayen visas efter 5 sekunder endast "dn". Släpp knappen.

Genom att trycka kort på knappen kan mätarvärdet minskas från 4500 med steg på 500 timmar i taget till ett minimumvärde på 0000. Det nya värdet blinkar, omväxlande med "dn", på displayen.

När du har valt önskad timinställning väntar du 10 sekunder. Efter 10 sekunder visas den valda timinställningen i bild och timern börjar räkna ned.

Om du under tiden då du minskar mätarställningen råkar göra ett fel kan du ställa tillbaka mätaren till 4500 genom att hålla knappen intryckt i 5 sekunder. Mätarvärdet återställs till 4500 och ett nytt värde kan ställas in på nytt.

Timräknaren anger på följande sätt att lampan måste bytas ut:

- Från timinställning 0672; displayen blinkar varannan sekund. Lampan ska bytas ut inom 4 veckor.

- Från timinställning 0336; displayen blinkar varje halv sekund; Lampan ska bytas ut inom 2 veckor.

- Från timinställning 0168; displayen blinkar varje fjärdedels sekund; Lampan ska bytas ut inom 1 vecka.

- Vid timinställning 0000; siffrorna fortsätter att blinka snabbt och mätaren räknar inte längre ned. Lampan ska bytas ut.

Nedmontering / Underhåll

Vid underhåll/demontering av apparaten ska strömmen alltid brytas.

UV-C-apparaten ska rengöras 2 gånger per år. När alg tillväxten och/eller kalkavlagringarna ökar måste kvartsglasröret **(M)** som lampan befinner sig i rengöras. Den speciella lampan måste bytas ut efter 4.500 timmars användning. Insidan av rostfritt stål rengörs med en mjuk borste.

1 Lossa trevägskopplingarna **(I)** och låt vattnet rinna ur apparaten.

2 Lossa skruvringen **(N)** och lossa lampan **(K)** från lamphållaren **(L)**. Ta ut lampan ur kvartsglaset och byt om det behövs ut den speciella lampan **(K)**. Var varsam, delarna är mycket ömtåliga.

3 Ta försiktigt bort kvartsglaset **(M)** med hjälp av en stor platt skruvmejsel (se ill. 3). Ta aldrig i hårt!

4 Rengör kvartsglaset med ett lämpligt medel. Använd alltid en mjuk trasa för att rengöra glaslet, undvik repor.

5 När du sätter tillbaka kvartsglaset i höljiet, var uppmärksam på att de tre tätningsringarna **(P)** sitter på rätt plats. Skjut änden av kvartsglaset försiktigt i mottagardelen **(Q)** (se ill. 4). Ta aldrig i hårt!

6 Placera försiktigt tillbaka lampan i kvartsglaset och koppla lampan **(K)** till lamphållaren **(L)**. Vrid fast skruvringen **(N)** igen på höljiet.

7 Det elektriska delen av apparaten befinner sig på displaydelen **(S)** på apparaten. Displaydelen är limmad och kan inte öppnas. Om den elektriska delen eller displayen behöver bytas ut måste hela eldelen lossas och kablar lossas från apparaten (se ill. 1). Vrid loss skruvringen **(N)** och ta försiktigt loss lamphållaren från lampan. Se till att du sparar de olika lösa delarna som hör till jordningen m.m.. Dessa levereras inte med ett nytt hölje eller elektrisk del. Om tvivel uppstår vid anslutningen, rådfråga en godkänd installatör.

- 8 Om höljet måste bytas ut, ska först jordningen (**J**) och den elektriska delen med displayen (**S**) först lossas från höljet (**U**) (se ill. 1 & 2). Skruva loss den elektriska delen med displayen (**S**) och lamphållaren från höljet. Se till att du sparar eventuella lösa delar som hör till jordningen. Dessa levereras inte med ett nytt hölje. Ta bort lampan (**K**) och kvartsglasat (**M**) ur höljet för att förhindra att de går sönder under transport. Om tvivel uppstår vid anslutningen, rådfråga en godkänd installatör.
- 9 Lossa flödesbrytaren från muffen. Lossa den 3-delade kopplingen och ta ut huset ur rörlämnarna.

Tekniska specifikationer

• Lampa Philips TUV T5	130 Watt
• UV-C (W) output	50 Watt
• UV-C (%) efter 4 500 timmar	85%
• Innehåll simbassäng (liter)	150.000 lit.
• Max. Genomströmning	30 000 lit./h
• Max. Tryck	3 bar
• Anslutning	Ø63mm
• Apparats längd	100cm

Typ av UV-C-system

Artikelnummer: B210006 Blue Lagoon UV-C Timer 150.000 lit. / 130 Watt (230V; 50/60Hz)

Ersättningslampor

Artikelnummer: E800904 Lampa typ TUV 130 Watt 4P-5E Amalgam (130 Watt)

Garantivillkor

Genom att köpa denna produkt har du gjort ett utmärkt val. Apparaten har monterats omsorgsfullt och enligt alla tillämpliga säkerhetsföreskrifter. För att uppnå bästa möjliga kvalitet används endast högvärdiga material. Leverantören ger 2 års garanti från inköpsdatum på material- och tillverkningsfel. Lampan och kvartsglasat täcks inte av garantin. Garantianspråk kan endast behandlas om produkten skickas tillbaka fraktfritt och med bifogat giltigt kvitto. Garantireparationer får endast utföras av leverantören. Garantianspråk som förorsakats av installations- eller användningsfel tas inte till behandling. Defekter som uppstått på grund av bristfälligt underhåll täcks inte heller av garantin. Leverantören är inte på något sätt ansvarig för skador som förorsakats av att produkten använts felaktigt. Leverantören är inte ansvarig för följdskador som beror på att apparaten inte fungerar. Reklamationer som beror på transportskador kan endast accepteras om skadan vid leverans fastställts eller bekräftats av speditören eller postverket. Endast då är det möjligt att göra anspråk på speditör eller postverk.

Bruksanvisningen må leses omhyggelig før apparatet installeres.

Funksjon

I Blue Lagoon UV-C Timeren genereres det UV-C stråling med en bølgelengde på 253,7 nm av den spesielle Philips UV lampen, som dreper bakterier (bl.a. legionellabakterier). Blue Lagoon UV-C Timeren sørger på en miljøvennlig måte for rent, frisk og klart vann. Vannet pumpes til UV-C apparatet av en pumpe. UV-C strålingen nøytraliserer bakterier, virus og primitive organismer og forhindrer foreringen av dem. Amalgam-lampen påvirkes ikke av vannets temperatursvingninger og har en konstant kraftig stråling på 50 Watt UV-C effekt. Amalgam UV-C er kjent for å være markedets kraftigste UV-C lys. Blue Lagoon UV-C Timeren har en integrert, høyfrekvent, elektronisk forkoblingsenhet. Denne forkoblingsenheten utjevner strømsvingninger og beskytter dermed lampen. Apparatet har også en integrert timeteller, som registrerer antall brukstimer nøyaktig. Du vet derfor nøyaktig når lampen skal skiftes. Innsiden av rustfritt stål reflekterer UV-C lyset, slik at effektiviteten økes med opp til 35 %. Takket være Blue Lagoon UV-C Timeren blir vannet i bassenget desinfisert på en effektiv og sikker måte, slik at vannkvaliteten alltid er førsteklasses. Med universelle tilkoblinger. Apparat kan tilkobles ved hjelp av et pvc-rør (Ø 50 mm og 63 mm).

Fordeler ved UV-C behandling:

- Sørger for friskt, rent og klart vann
- Desinfiserer vannet på en effektiv og sikker måte
- UV-C lys nedbryter bundet klor
- Beskytter bassenget mot smittestoffer
- Holder sopp-, bakterie- og algevekst under kontroll
- Kan redusere bruken av klor og andre kjemikalier med opp til 80 %
- Forebygger klorlukt og irritasjon av huden og øynene (røde øyne)
- Bedre for miljøet sammenlignet med tradisjonelle metoder

Fordeler ved Blue Lagoon UV-C Timer:

- Integrert elektronisk forkoblingsenhet for stabil strømforsyning.
- Med en flow switch (strømningsvakt) som slår apparatet av hvis vannet ikke strømmer
- Opp til 35 % mer UV-C stråling takket være reflektering
- Med en UV-C effekt på 50 Watt
- Philips UV-C lampe
- Integrert innstillbar timeteller til UV-C lampen
- Viser digitalt når lampen skal skiftes
- Hus av 316L rustfritt stål
- Ukomplisert installasjon og vedlikehold
- 2 års garanti på fabrikkasjonsfeil
- Er jordat
- Overganger fra Ø 63 mm til Ø 50 mm medfølger

Sikkerhet

Denne apparat produserer skadelige stråler. Direkte kontakt kan være skadelig for øynene og huden. UV-C lampens funksjon må kun kontrolleres via de gjennomsiktige delene.

- Apparatets støpsele må bare settes i en stikkontakt med lokk
- Ved permanent tilkobling til strømmettet må e-verkets forskrifter følges. Hvis du er i tvil om tilkoblingen må du kontakte en autorisert elektriker eller e-verket. Bruk alltid jordfeilbryter.
- Ved bruk av vannbehandlingsmidler eller medikamenter må apparatet slås av.
- Ta alltid støpselet ut av stikkontakten før det utføres vedlikehold eller reparasjon av apparatet. Ikke ta støpselet ut av stikkontakten og ikke sett det i hvis du står i en vannpytt eller har våte hender.
- Apparatet må ikke dypes i vann.
- Apparatet må ikke plasseres i direkte sollys.
- Hold barn borte fra apparatet og ledningen.
- Ledningen til apparatet kan ikke skiftes. Hvis ledningen skades, må hele den elektriske delen skiftes. Fjern aldri støpselet, men la den elektriske delen være intakt. En elektrisk del med støpselet klippet av dekkes ikke av garantien.
- Lampen er varm i ca. 10 minutter etter at apparatet er slått av.

- Hvis deler skades (særlig kvartsglasset), må apparatet ikke brukes.
- Hvis det er fare for frost om vinteren, skal apparatet fjernes.
- Huset av rustfritt stål er ikke egnet til saltvannsbassenger med et høyt innhold av salt. Hvis innholdet av salt for høyt, oksiderer stålet og huset skades. Apparatet skal bare monteres rett etter filteret
- Dette produkt er utelukkende beregnet til bruk i henhold til beskrivelsen i denne bruksanvisningen.

Montering av jording (Tegning 1)

- 1 Før strekkavlastningen (F) monteres på jordingsbolten (A), skal kabelen (B) trekkes gjennom strekkavlastningen (F). Anbring strekkavlastningen (F) ca. 10 cm fra øyet (H) på jordingskabelen (B).
- 2 Sett øyet (H) på kabelen (B) over jordingsbolten (A), som sitter på selve huset.
- 3 Sett deretter en låseskive (C), sekskantmutter (D) og enda en låseskive (E) på øyet (H).
- 4 Fest strekkavlastningen (F) øverst, slik at det blir en sløyfe med \varnothing 5 cm.
- 5 Til slutt skrur låsemutteren (G) på jordingsbolten (A).
- 6 Når de forskjellige delene er satt på jordingsbolten (A) i riktig rekkefølge, kan mutteren (G) strammes til med en fastnøkkel eller ringnøkkel nummer 8. Strekkavlastningen kan revne hvis mutteren strammes for mye.
(Den transparente mutteren som er skrudd på bolten (A) ved levering, har ingen funksjon og kan kastes.)

Installasjon av apparatet (Tegning 2)

Ikke installer Blue Lagoon UV-C Timeren rett etter pH-regulatoren eller salt- elektrolysesystemet i bassenginstallasjonen. Det er best å montere apparatet umiddelbart etter filteret. Dette apparat må ikke dyppes i vann. Det må alltid installeres utenfor bassenget. Sørg for at det er ca. 1 meter fritt rom slik at lampen (K) / kvartsglasset (M) kan tas av i forbindelse med utskifting og/eller vedlikehold.

- 1 Apparatet må bare monteres vertikalt.
- 2 Skru skruringen (N) av huset (U). Ta UV-C lampen (K) ut av hylsen (se emballasjen) og sett forsiktig lampen i kvartsglasset (M). Sett forsiktig den hvite lampeholderen (L) på UV-C lampen (K) og stram skruringen (N) på huset (U) for hånd.
- 3 Limmuffen til flow switch (V) skal limes slik at gjengene (W) vender opp på den tredelte koblingen (I) (se tegning 2). Nå kan limmuffen (V) limes til den underste tredelte koblingen (I). Monter flow switch (X) som er festet til det elektroniske forkoblingsapparatet (S) rett på gjengene (U) til limmuffen (V) (se tegning 2). Hvis flow switch monteres på en annen måte, virker ikke apparatet. Den lille pilen øverst på flow switch (X) må alltid peke i samme retning som vannet strømmer. Hvis pilen peker mot vannets strømningsretning, vil Blue Lagoon UV-C Amalgam ikke bli slått på.
- 4 Monter de medfølgende rørklammene (O) på et fast sted, fest apparatet i rørklammene og stram den tredelte koblingen (I). Pass på at tetningsringene (P) sitter riktig, både ved tilkoblingene og kvartsglasset (se tegning 2).
- 5 Monter enheten i kretslopet ved hjelp av den tredelte koblingen (I) og limmuffen til flow switch (V). Inn- og utgangen på den tredelte koblingen er \varnothing 63 mm. Hvis rørene er mindre enn \varnothing 63 mm, kan det brukes en overgang (\varnothing 63 x \varnothing 50 mm) (T). Den kan limes til den tredelte koblingen (I) og til limmuffen til flow switch (V). Innvendig i overgangen (T) er det gjenger i den ene enden, slik at man eventuelt kan montere en overgangstuss med pakning (ikke inkludert).
- 6 Start pumpen og kontroller systemet mht. gjennomstrømning og lekkasje.
- 7 Sett støpselet til UV-C apparatet i en jordet stikkontakt som er koblet til jordfeilbryter. Kontroller gjennom de transparente delene om lampen lyser. Apparatet slås av ved å ta støpselet ut av stikkontakten.
- 8 Hvis det ikke strømmer vann gjennom apparatet, sørger flow switch for at apparatet slås av automatisk. Apparatet slås av permanent ved å ta støpselet ut av stikkontakten.

Bruksanvisning til digital timeteller

Når Blue Lagoon UV-C Timeren er slått på, begynner programmet en selvtest. I displayet vises følgende indikasjoner etter hverandre: 8888 (displaytest) ; r og softwares versjonsnummer ; 50H eller 60H indikerer nettfrekvensen
Deretter vises timetelleren.

Når UV-C lampen tennes første gang eller etter at "reset" funksjonen har vært brukt, vises verdien 4500 i displayet. Ved sifferet lengst til høyre i displayet blinker hvert sekund et punktum, som angir at timetelleren går.

Displayet står automatisk på 4500 timer, som er innstilt fra fabrikk. I inntil 4500 timer yter UV-C lampen 100 % effektiv stråling. Etter 4500 timer blir strålingen svakere, slik at man ikke oppnår ønsket resultat.

Hvis UV-C lampen har vært brukt i lengre tid, og den allerede har vært tent tidligere, viser displayet det antall timer som timetelleren sto på da UV-C lampen ble slått av. Hvis du selv har økt eller minsket timetellerens timetall, vises det siste timetallet før den ble slått av.

Timetellerens innstillinger kan endres hvis man ønsker det. Det gjøres på følgende måte:

Når bryteren (R) under displayet holdes inne i 5 sekunder, vises "rSt" i displayet og det betyr at brukermenyen er valgt. Når bryteren (R)

slippes, blinker timetallet og "rSt" vekselvis i displayet. Hvis du nå trykker kort på bryteren, vises menyens valgmuligheter etter hverandre. Det er 3 innstillingsmuligheter i menyen, "rSt", "UP" og "dn".

- "rSt" betyr (reset): da stilles timetelleren tilbake til fabrikkinnstillingen på 4500 timer.

Dette valget bekreftes ved at timetallet og "rSt" blinker vekselvis i displayet. Når bryteren (R) holdes inne i 5 sekunder, vises timetallet 4500. Hvis du deretter slipper bryteren, begynner timetelleren å telle ned fra 4500 timer. Denne valgmuligheten kan du bruke når lampen for eksempel er skiftet, eller hvis du selv har endret timetallet og vil sette det tilbake til fabrikkinnstillingen.

- "UP" betyr (opp): dette kan øke timetallet, hvis det ønskes.

Dette valget bekreftes ved at den valgte brukerinnstillingen "UP" og timetallet blinker vekselvis i displayet. Deretter må bryteren (R) holdes inne i 5 sekunder. Etter 5 sekunder står det kun "UP" i displayet. Deretter må bryteren slippes.

Ved å trykke kort på bryteren kan timetallet økes i trinn på 500 timer fra 4500 til maksimalt 9999. Det økte timetallet og "UP" blinker vekselvis i displayet.

Når du har valgt det ønskede timetallet, venter du 10 i sekunder. Etter 10 sekunder vises det ønskede timetallet i displayet, og timeren begynner å telle ned.

Hvis du har gjort en feil mens du økte timetallet, kan du sette telleren på 4500 igjen ved å holde bryteren inne i 5 sekunder. Telleren er satt tilbake på 4500, og det kan innstilles en ny verdi.

- "dn" betyr 'down' (ned): dette kan minske timetallet, hvis det ønskes.

Dette valget bekreftes ved at den valgte brukerinnstillingen "dn" og timetallet blinker vekselvis i displayet. Deretter må bryteren (R) holdes inne i 5 sekunder. Etter 5 sekunder står det kun "dn" i displayet. Deretter må bryteren slippes.

Ved å trykke kort på bryteren kan timetallet reduseres i trinn på 500 timer fra 4500 til minimalt 0000. Det reduserte timetallet og "dn" blinker vekselvis i displayet.

Når du har valgt det ønskede timetallet, venter du 10 i sekunder. Etter 10 sekunder vises det ønskede timetallet i displayet, og timeren begynner å telle ned. Hvis du har gjort en feil mens du reduserte timetallet, kan du sette telleren på 4500 igjen ved å holde bryteren inne i 5 sekunder. Telleren er satt tilbake på 4500, og det kan innstilles en ny verdi.

Når lampen skal skiftes, angir timetelleren det på følgende måte:

- Fra timetall 0672; displayet blinker hvert sekund. Lampen må skiftes om 4 uker.
- Fra timetall 0336; displayet blinker hvert halve sekund; Lampen må skiftes om 2 uker.
- Fra timetall 0168; displayet blinker hvert ¼ sekund; Lampen må skiftes om 1 uke.
- Ved timetall 0000; sifrene blinker raskt hele tiden og telleren kan ikke telle ned ytterligere. Lampen må skiftes.

Demontering/vedlikehold

Strømtilførselen må brytes når det utføres vedlikehold/demontering!

Apparatet må rengjøres 2 ganger i året. Hvis algeveksten og/eller kalkavsetningen øker, må kvartsglassrøret (M) med lampen rengjøres. Den spesielle lampen må skiftes etter senest 4.500 timer. Den innvendige overflaten av rustfritt stål rengjøres med en myk børste.

- 1 Løsne den tredelte koblingen (I) og la vannet renne ut av apparatet.
- 2 Løsne skruringen (N) og løsne lampen (K) fra lampeholderen (L). Ta lampen ut av kvartsglasset og skift om nødvendig lampen (K). Man må være forsiktig, for delene er svært skjøre.
- 3 Kwartsglasset (M) tas forsiktig av med en stor, flat skrutrekker (se tegning 3). Bruk ikke makt!
- 4 Rengjør kvartsglasset med et egnet middel. Bruk alltid en myk klut for å rengjøre glasset, unngå å lage riper.
- 5 Når kvartsglasset settes i igjen, må man sørge for at de 3 tetningsringene (P) sitter riktig; sett deretter enden av kvartsglasset forsiktig i holderen (Q) i bunnen (se tegning 4). Bruk ikke makt!
- 6 Sett forsiktig lampen i kvartsglasset og sett lampen (K) i lampeholderen (L). Skru skruringen (N) på huset igjen.
- 7 Apparatets elektriske del sitter i displayboksen (S) på apparatet. Denne displayboksen er limt og kan ikke åpnes. Ved skifting av den elektriske delen eller displayet må hele boksen skrus løs, og ledningene til apparatet må avmonteres (se tegning 1). Løsne skruringen (N) og løsne forsiktig lampeholderen fra lampen. Pass på å ta vare på de forskjellige delene til jording osv. Disse delene følger ikke med til et nytt hus eller en ny elektrisk del. Hvis du er i tvil om den elektriske tilkoblingen, bør du kontakte en autorisert elektriker.
- 8 Hvis huset må skiftes, skal jordingen (J) og den elektriske delen med display (S) først tas av huset (U) (se tegning 1 & 2). Skru den elektriske delen med display (S) og lampeholderen av huset. Pass på å ta vare på de forskjellige delene til jording. De følger ikke med til et nytt hus. Ta lampen (K) og kvartsglasset (M) ut av huset slik at de ikke skades under transport. Hvis du er i tvil om den elektriske tilkoblingen, bør du kontakte en autorisert elektriker. Løsne flow switch fra limmuffen. Skru løs de tredelte koblingene og ta huset ut av rørklammerne.

Tekniske spesifikasjoner

• Lampe Philips TUV T5	130 Watt
• UV-C effekt (W)	50 Watt
• UV-C (%) etter 4.500 timer	85 %
• Bassenginnhold (L.)	150.000 L
• Maks. gjennomstrømning	30.000 l/t
• Maks. trykk	3 bar
• Tilkobling	Ø 63 mm
• Lengde apparat	100 cm

Type UV-C systemer

Artikkelnummer: B210006 Blue Lagoon UV-C Timer 150.000 L / 130 Watt (230 V; 50/60 Hz)

Reservelamper

Artikkelnummer: E800904 Lampe type TUV 130 Watt 4P-SE Amalgam (130 Watt)

Garantibetingelser

Med dette produkt har du gjort et utmerket valg. Apparatet fremstilles omhyggelig og med overholdelse av alle gjeldende sikkerhetsforskrifter. For å oppnå best mulig kvalitet har leverandøren bare brukt høyverdige materialer. Leverandøren gir 2 års garanti for material- og produksjonsfeil fra anskaffelsesdatoen. Lampen og kvartsglasset dekkes ikke av garantien. Garantikrav behandles kun hvis produktet returneres franko og vedlagt en gyldig kvittering. Garantireparasjoner må kun utføres av leverandøren.

Garantien dekker ikke feil forårsaket av feil installasjon eller betjening. Defekter som skyldes mangelfullt vedlikehold dekkes heller ikke av garantien. Leverandøren kan ikke på noen måte stilles til ansvar for skade som følge av feil bruk av produktet. Leverandøren kan ikke stilles til ansvar for følgeskader som skyldes svikt av apparatet. Reklamasjoner på grunn av transportskader aksepteres kun hvis skaden ved levering er konstatert og bekreftet av speditøren eller postvesenet. Kun da er det mulig å gjøre krav gjeldende overfor speditøren eller postvesenet.

Lue tämä käyttöohje huolellisesti ennen laitteen asennusta.

Toiminta

Blue Lagoon UV-C Timer synnyttää Philipsin UV -lampun avulla UV-C-säteilyä, jonka aallonpituus on 253,7 nm. Säteily tappaa bakteerit (mm. legioonalaistaudin bakteerit). Blue Lagoon UV-C Timer takaa tehokkaalla ja ympäristöä säästävällä tavalla raikkaan, puhtaan ja kirkkaan veden. Pumppu työntää veden UV-C-laitteen läpi. UV-C-säteily neutraloi bakteerit, virukset ja muut alkeelliset eliöt ja estää niiden lisääntymisen. Amalgaamilamppu antaa voimakkaan, tasaisen 50 watin UV-C-tuoton, johon veden lämpötilanvaihtelut eivät vaikuta. Amalgaami-UV-C tunnetaan markkinoiden voimakkaimpana UV-C-valona. Blue Lagoon UV-C Timer -laitteessa on sisäinen elektroninen HF-liitäntälaitte. Liitäntälaitte tasaa sähkövirran vaihtelut ja suojaa siten lamppua. Laitteessa on myös tuntilaskuri, joka laskee lampun polttotunnit tarkasti. Näin tiedät tarkkaan, milloin lamppu on vaihdettava. Teräksinen sisäpinta heijastaa lisäksi UV-C-säteilyä erityisen hyvin ja parantaa tehokkuutta jopa 35 %. Blue Lagoon UV-C Timer desinfioi veden tehokkaasti ja turvallisesti ja pitää sen laadun erinomaisena. Mukana toimitetaan normaalimittaiset liitäntäkappaleet. Laitte voidaan kytkeä PVC-putkeä (Ø 50 ja 63 mm) käyttäen.

UV-C-käsittelyn edut:

- Takaa raikkaan, puhtaan ja kirkkaan veden
- Desinfioi veden tehokkaalla ja turvallisella tavalla
- Hajottaa sitoutuneen kloorin UV-C-valon avulla
- Suojaa uima-allasta taudinaiheuttajilta
- Pitää homeiden, bakteerien ja levien kasvun kurissa
- Mahdollistaa kloorin ja muiden kemikaalien käytön vähentämisen 100 prosentilla
- Estää kloorin hajun sekä ihon ja silmien ärtymisen (punaiset silmät)
- Perinteisiä menetelmiä turvallisempi ympäristölle

Blue Lagoon UV-C Timer -laitteen ominaisuudet:

- Sisäinen elektroninen liitäntälaitte, joka pitää virran vakiona.
- Laitteessa oleva virtauskytkin katkaisee toiminnan, jos laitteen läpi ei virtaa vettä.
- Heijastavuus parantaa UV-C-tuottoa jopa 35 %
- UV-C-teho 50 W
- Philips UV-C -lampun
- Integroitu säädettävä tuntilaskuri UV-C -lamppua varten
- Ilmoittaa digitaalisesti, milloin lamppu on vaihdettava
- 316L-laatuista ruostumattomasta teräksestä valmistettu runko
- Yksinkertainen asennus ja huolto
- Valmistusvirheet kattava 2 vuoden takuu
- Maadoitettu
- Mukana sovitimet Ø 63mm > Ø 50mm

Turvallisuus

Laitte synnyttää haitallista säteilyä. Suora kosketus säteilyyn voi vahingoittaa silmiä ja ihoa. Tarkasta UV-C-otsonilampun toiminta ainoastaan laitteen läpinäkyvien osien läpi.

- Kytke laitteen pistotulppa aina suojakannella varustettuun pistorasiaan.
- Kiinteä kytkeminen sähköverkkoon on tehtävä sähkölaitoksen määräysten mukaisesti. Jos et ole varma, että osaat tehdä kytkennät oikein, ota yhteyttä valtuutettuun sähköasentajaan tai sähkölaitokseen. Käytä aina vikavirtasuojajakytkintä.
- Vedenkäsittely- tai lääkintäaineita käytettäessä laite on kytkettävä pois toiminnasta.
- Irrota pistotulppa pistorasiasta aina ennen laitteen huoltamista tai korjaamista. Älä kytke pistotulppaa pistorasiaan tai irrota sitä, jos seisot vesilammikossa tai kätesi ovat märät.
- Laitetta ei saa upottaa veteen.
- Älä sijoita laitetta suoraan auringonpaisteeseen.
- Pidä lapset poissa laitteen ja johdon luota.
- Laitteen liitosjohtoa ei voi vaihtaa. Jos liitosjohto on vahingoittunut, laitteen koko sähköyksikkö on uusittava. Älä irrota pistotulppaa johdosta äläkä tee mitään muutoksia sähköyksikköön. Jos pistotulppa on leikattu irti, sähköyksikön takuu raukeaa.
- Kun laite on kytketty pois päältä, lamppu on vielä noin 10 minuutin ajan lämmin.

- Jos jokin osa (etenkin kvartsilasi) on vahingoittunut, älä käytä laitetta.
- Poista laite järjestelmästä talvella jäätymisvaaran uhatessa.
- Laitteen runko on ruostumatonta terästä, eikä se sovellu merivesialtasiin, joiden suolapitoisuus on suuri. Jos suolapitoisuus on liian suuri, teräs hapettuu ja laitteen runko vahingoittuu. Sijoita laite aina välittömästi suodattimen jälkeen.
- Laitetta tulee käyttää ainoastaan tässä käyttöohjeessa kuvatulla tavalla.

Maadoituksen asentaminen (kuva 1)

- 1 Ennen kuin asennat muovisen vedonpoistimen (F) maadoitusruuviin (A), vedä johto (B) vedonpoistimen (F) läpi. Aseta vedonpoistin (F) noin 10 cm:n päähän maadoitusjohdon (B) silmukasta (H).
- 2 Aseta johdon (B) silmukka (H) rungossa olevaan maadoitusruuviin (A).
- 3 Aseta sitten hammasaluslaatta (C), kuusiomutteri (D) ja toinen hammasaluslaatta (E) silmukan (H) päälle.
- 4 Kiinnitä vedonpoistin (F) niiden päälle siten että johto muodostaa halkaisijaltaan 5 cm:n silmukan.
- 5 Aseta lopuksi lukkomutteri (G) maadoitusruuviin (A).
- 6 Jos mutterit on asetettu oikeassa järjestyksessä maadoitusruuviin (A), se voidaan kiristää kita- tai silmukka-avaimella (nro 8). Älä kiristä liikaa, jotta vedonpoistin ei vahingoitu.
(Läpinäkyvä mutteri, joka toimitettiin maadoitusruuviin (A) kiinnitettynä, on nyt tarpeeton ja sen voi hävittää).

Laitteen asentaminen (kuva 2)

Älä asenna Blue Lagoon UV-C -laitetta välittömästi uima-allaslaitteiston pH-säätimen eikä suolalla toimivan elektrolyysijärjestelmän jälkeen. Laite on paras asentaa heti suodattimen jälkeen. Laitetta ei saa upottaa veteen. Se on aina asennettava altaan ulkopuolelle. Varmista, että laitteen ympärille jää noin 1 metri vapaata tilaa, jotta lamppu (K) ja kvartsilasi (M) voidaan irrottaa vaihtoa ja huoltoa varten.

- 1 Laite on asennettava pystysuoraan asentoon siten.
- 2 Kierrä kierrerengas (N) irti rungosta (U). Ota UV-C-lamppu (K) mukana toimitetusta suojuksesta (katso pakkausta) ja työnnä lamppu varovasti kvartsilasin (M) sisään. Kytke valkoinen lampunpidin (L) varovasti UV-C-lamppuun (K) ja kiinnitä sitten kierrerengas (N) käsivoimin kiinni runkoon (U).
- 3 Virtauskytkimelle tarkoitettu liimaholkki (V) on liimattava siten, että kierre (W) tulee ylöspäin kolmiosisaisen liittimen (I) suuntaan (katso kuvaa 2). Liimaholkki (V) voidaan liimata alempaan kolmiosisaisen liittimeen (I). Asenna virtauskytkin (X), joka on kiinnitetty elektroniseen liitäntälaitteeseen (S) suoraan liimaholkin (V) kierteen (U) päälle. (Katso kuvaa 2.) Jos virtauskytkin asennetaan toisella tavalla, laite ei toimi. Virtauskytkimen (X) päällä olevan nuolen on aina osoitettava veden virtaussuuntaan. Jos nuoli osoittaa virtauksen vastaiseen suuntaan, Blue Lagoon UV-C Amalgam ei kytkeydy toimintaan.
- 4 Kiinnitä mukana toimitetut putkikiinnikkeet (O) tukevaan kohtaan, asenna laite putkikiinnikkeisiin ja kiristä kolmiosisainen liitin (I). Tarkasta, että liitäntöjen ja kvartsilasin tiivistysrenkaat (P) on asennettu oikeisiin kohtiin (katso kuvaa 2).
- 5 Asenna laite kolmiosisaita liitintä (I) ja virtauskytkimelle tarkoitettua liimaholkkia (V) käyttäen piiriin. Kolmiosisaisen liittimen tulo- ja poistoaukon koko on Ø 63 mm. Jos johdot ovat pienempiä kuin 63 mm, voit käyttää sovitinkappaletta (Ø 63 x Ø 50 mm) (T). Sen voi liimata kolmiosisaisen liittimeen (I) ja virtauskytkimelle tarkoitettuun liimaholkkiin (V). Sovitinkappaleen (T) sisässä on toisella puolella ruuvikierre, johon voidaan asentaa mahdollinen sovitinnippa ja tiivistysrenkas (ei sisälly toimitukseen).
- 6 Käynnistä pumppu ja tarkasta, että vesi virtaa laitteen läpi eikä järjestelmässä ole vuotoja.
- 7 Kytke UV-C-laitteen pistotulppa maadoitettuun seinäpistorasiaan, joka on suojattu vikavirtasuojakytkimellä. Tarkasta katsomalla laitteen läpinäkyvien osien läpi, että lamppu palaa. Laitteen virran voi katkaista kokonaan irrottamalla pistotulpan pistorasiasta.
- 8 Kun laitteen läpi ei virtaa vettä, virtauskytkin kytkee laitteen automaattisesti toiminnasta. Laitteen sähkövirran voi katkaista pysyvästi irrottamalla pistotulpan pistorasiasta.

Digitaalisen tuntilaskurin käyttöohje

Kun Blue Lagoon UV-C Timer on kytketty toimintaan, ohjelma testaa itsensä. Näyttöön tulee automaattisesti peräjälkeen seuraavat ilmoitukset: ;8888; display test ; r ja ohjelmiston versionumero ; 50H tai 60H - verkkotaajuus.
Sen jälkeen laite siirtyy näyttämään tuntilukemaa.

Kun UV-C-lamppu kytketään ensimmäisen kerran toimintaan tai kun on käytetty palautustoimintoa, näyttöön tulee lukema 4500. Oikeanpuoleisimman numeron kohdalla vilkkuu sekunnin välein piste osoittaen, että laskuri käy. Näyttöön tulee automaattisesti tehtaassa asetettu lukema 4500 tuntia. UV-C-lamppu antaa 4500 tunnin ajan 100-prosenttisen säteilytehon. 4500 tunnin jälkeen säteily heikkenee, eikä sillä mahdollisesti päästä enää toivottuun tulokseen. Jos UV-C-lamppua on käytetty jo pitempään ja se on ollut aikaisemmin kytkettynä toimintaan, näyttöön tulee päällekytkennän jälkeen arvo, joka siinä oli ennen kuin UV-C-lamppu kytkettiin pois toiminnasta. Jos olet itse suurentanut tai pienentänyt tuntilaskurin arvoa, näyttöön tulee viimeinen lukema, joka laskurissa oli ennen poiskytkentää.

Voit halutessasi muuttaa tuntilaskurin lukemaa. Se tehdään seuraavasti:

Kun olet painanut näytön alla olevaa kytkintä (R) 5 sekunnin ajan, näyttöön tulee ilmoitus "rSt" merkiksi siitä, että olet valinnut käyttäjävalikon. Kun vapautat kytkimen (R), näytössä vilkkuvat vuorotellen laskurin lukema ja "rSt". Voit vuorotella valikon vaihtoehtoja painamalla kytkintä nyt lyhyesti. Valikossa on 3 säätövaihtoehtoa: **rSt**, **UP** ja **dn**.

- "**rSt**" (reset) tarkoittaa: laskurin lukemaksi palautetaan tehdasasetus 4500 tuntia.

Tämä vaihtoehto on valittu, kun näytössä vilkkuu vuorotellen laskurin lukema ja "rSt". Kun painat kytkintä (R) 5 sekunnin ajan, jolloin näyttöön tulee lukema 4500, ja vapautat sen sitten, laskuri alkaa laskea aikaa 4500 alaspäin. Käytä tätä vaihtoehtoa esimerkiksi silloin, kun olet vaihtanut lamppun tai olet muuttanut laskurin lukemaa ja haluat palauttaa siihen tehdasasetuksen.

- "**UP**" (ylös) tarkoittaa: laskurin lukemaa voidaan suurentaa haluttuun tuntimäärään.

Tämä vaihtoehto on valittu, kun näytössä vilkkuu vuorotellen valittu asetus "UP" ja laskurin lukema. Tämän jälkeen kytkintä (R) täytyy painaa 5 sekunnin ajan. 5 sekunnin kuluttua näytössä näkyy ainoastaan "UP". Vapauta sen jälkeen kytkin.

Painelemalla kytkintä lyhyesti voit suurentaa laskurin lukemaa 4500:sta lähtien 500:n askelmin. Suurin mahdollinen arvo on 9999. Näytössä vilkkuu vuorotellen suurennettu arvo ja "UP".

Kun olet valinnut halutun tuntilukeman, odota 10 sekuntia. 10 sekunnin kuluttua näyttöön tulee valittu tuntilukema ja laskuri alkaa mitata aikaa alaspäin.

Jos teet virheen lukeman suurentamisen aikana, voit palauttaa lukeman arvoon 4500 painamalla kytkintä 5 sekunnin ajan. Lukemaksi on nyt palautettu 4500 ja voit säätää laskuriin uuden arvon.

- "**dn**" (alas) tarkoittaa: laskurin lukemaa voidaan pienentää haluttuun tuntimäärään.

Tämä vaihtoehto on valittu, kun näytössä vilkkuu vuorotellen valittu asetus "dn" ja laskurin lukema. Tämän jälkeen kytkintä (R) täytyy painaa 5 sekunnin ajan. 5 sekunnin kuluttua näytössä näkyy ainoastaan "dn". Vapauta sen jälkeen kytkin.

Painelemalla kytkintä lyhyesti voit pienentää laskurin lukemaa 4500:sta lähtien 500:n askelmin. Pienin mahdollinen arvo on 0000. Näytössä vilkkuu vuorotellen pienennetty arvo ja "dn".

Kun olet valinnut halutun tuntilukeman, odota 10 sekuntia. 10 sekunnin kuluttua näyttöön tulee valittu tuntilukema ja laskuri alkaa mitata aikaa alaspäin.

Jos teet virheen lukeman pienentämisen aikana, voit palauttaa lukeman arvoon 4500 painamalla kytkintä 5 sekunnin ajan. Lukemaksi on nyt palautettu 4500 ja voit säätää laskuriin uuden arvon.

Tuntilaskuri ilmoittaa seuraavalla tavalla, että lamppu on vaihdettava:

- Tuntilukemasta 0672 lähtien: näyttö vilkkuu sekunnin välein. Lamppu on vaihdettava 4 viikon kuluttua.
- Tuntilukemasta 0336 lähtien: näyttö vilkkuu puolen sekunnin välein. Lamppu on vaihdettava 2 viikon kuluttua.
- Tuntilukemasta 0168 lähtien: näyttö vilkkuu neljäosasekunnin välein. Lamppu on vaihdettava 1 viikon kuluttua.
- Tuntilukema 0000: numerot vilkkuvat nopeasti eikä laskurin lukema enää muutu. Lamppu on vaihdettava.

Laitteen purkaminen ja huolto

Katkaise virta aina ennen laitteen huoltamista tai irrottamista.

Laitte on puhdistettava 2 kertaa vuodessa. Jos levien kasvu tai kalkin kertyminen lisääntyy, puhdista kvartsilasinen putki (M), jonka sisässä lamppu on. Erikoislamppu on vaihdettava viimeistään 4.500 käyttötunnin jälkeen. Teräksisen sisäpinnan voi puhdistaa pehmeällä harjalla.

- 1 Kierrä kolmiosaiset liittimet (I) auki ja anna veden valua pois laitteesta.
- 2 Kierrä kierrerengas (N) irti ja irrota lamppu (K) irti lampunpitimestä (L). Ota lamppu pois kvartsilasin sisästä ja vaihda erikoislamppu (K) tarvittaessa. Ole varovainen, sillä nämä osat rikkoutuvat herkästi.
- 3 Irrota kvartsilasi (M) varovasti suurella uraruuvitaltalla (**katso kuvaa 3**). Älä käytä voimaa!
- 4 Puhdista kvartsilasi sopivalla aineella. Käytä puhdistukseen aina pehmeää liinaa ja varo naarmuttamasta lasia.
- 5 Kun asetat kvartsilasia takaisin paikalleen, varmista että 3 tiivistysrengasta (P) en tulevat oikeisiin paikkoihin ja työnnä kvartsilasin päälle varovasti vastakappaleeseen (Q) (**katso kuvaa 4**). Älä käytä voimaa!
- 6 Aseta lamppu varovasti takaisin kvartsilasiin ja kytke lamppu (K) lampunpitimeen (L). Kiinnitä kierrerengas (N) takaisin runkoon.
- 7 Laitteen sähköyksikkö on näyttöruusiassa (S) laitteen päällä. Tämä näyttöruusia on liimattu kiinni, eikä sitä voi avata. Jos sähköyksikkö tai näyttö on vaihdettava, koko rasia täytyy ruuvata irti ja laitteen johdot on irrotettava (**katso kuvaa 1**). Kierrä kierrerengas (N) irti ja irrota lampunpidin varovasti lampusta. Laita maadoituskappale ja muut irralliset osat huolella talteen. Niitä ei toimiteta uuden rungon tai sähköyksikön mukana. Jos et ole varma, että osat tehdään kytkennät oikein, ota yhteyttä valtuutettuun sähköasentajaan.
- 8 Jos runko on vaihdettava, maadoitus (J) ja sähköyksikkö näyttöineen (S) on ensin irrotettava rungosta (U) (**katso kuvia 1 ja 2**). Kierrä sähköyksikkö näyttöineen (S) ja lampunpidin irti rungosta. Laita maadoituskappale ja muut irralliset osat huolella talteen. Niitä ei

toimiteta uuden rungon mukana. Ota lamppu (K) ja kvartsilasi (M) pois rungosta, jotta ne eivät rikkoudu kuljetuksen aikana. Jos et ole varma, että osaat tehdä kytkennät oikein, ota yhteyttä valtuutettuun sähköasentajaan.

9 Irrota virtauskytkin liimaholkista. Kierrä kolmiosainen liitin irti ja irrota kotelo putkikiinnikkeistä.

Tekniset tiedot

• Lamppu Philips TUV T5	130 W
• UV-C-teho (W)	50 W
• UV-C (%) 4 500 tunnin jälkeen	85 %
• Uima-altaan tilavuus (l)	150 000 l
• Virtaama enintään	30 000 l/h
• Paine enintään	3 bar
• Liitäntä	Ø 63 mm
• Laitteen pituus	100cm

UV-C-järjestelmän tyyppi

Tuotenumero: B210006 Blue Lagoon UV-C Timer 150 000 l / 130 W (230 V; 50/60 Hz)

Vaihtolamput

Tuotenumero E800904 Lampun tyyppi1 TUV 130 Watt 4P-SE Amalgam (130 Watt)

Takuuehdot

Teit erinomaisen valinnan hankkiessasi tämän tuotteen. Laite on valmistettu huolellisesti ja se täyttää kaikki siihen soveltuvat turvallisuusmääräykset. Laadun varmistamiseksi laitteeseen on käytetty ainoastaan korkealuokkaisia materiaaleja. Laitteelle myönnetään materiaali- ja valmistusviat kattava 2 vuoden takuu ostopäivästä lukien. Takuu ei kata lampua eikä kvartsilasia. Takuuvaateet voidaan ottaa käsiteltäväksi vain, jos ostaja palauttaa tuotteen omalla kustannuksellaan ja mukaan on liitetty pätevä ostotosite. Takuukorjaukset on aina annettava myyjän tehtäväksi. Takuu ei koske vaateita, jotka aiheutuvat asennus- tai käyttövirheistä. Takuu ei kata myöskään puutteellisesta huollosta johtuvia vikoja. Myyjä ei vastaa millään tavalla vahingoista, jotka aiheutuvat tuotteen väärästä käytöstä. Myyjä ei voida asettaa vastuuseen välillisistä vahingoista, jotka aiheutuvat laitteen toimimattomuudesta. Kuljetusvaurioita koskevat valitukset voidaan hyväksyä vain, jos vaurio todetaan tai vahvistetaan kuljetusliikkeen tai postin toimittaessa laitteen perille. Kuljetusliike tai posti voidaan ainoastaan tässä tapauksessa asettaa vastuuseen vaurioista.

Διαβάστε αυτές τις οδηγίες χρήσης με προσοχή πριν από την εγκατάσταση της συσκευής.

Λειτουργία

Στη μονάδα Blue Lagoon UV-C Timer, παράγεται ακτινοβολία UV-C με μήκος κύματος 253,7 nm από την ειδική λυχνία Philips UV, επιδρώντας θανάσιμα στα βακτήρια (συμπεριλαμβανομένου του βακτηριδίου Λεγεωνέλλας). Η μονάδα Blue Lagoon UV-C Timer διασφαλίζει ότι το νερό της πισίνας σας είναι καθαρό, φρέσκο και διαυγές με αποτελεσματικό και φιλικό προς το περιβάλλον τρόπο. Η τροφοδοσία του νερού πραγματοποιείται από τη συσκευή UV-C μέσω μιας αντλίας. Η ακτινοβολία UV-C εξουδετερώνει βακτήρια, ιούς και άλλους πρωτόγονους οργανισμούς και διακόπτει την αναπαραγωγή τους. Η λυχνία αμαλγάματος δεν επηρεάζεται από αλλαγές στη θερμοκρασία του νερού και έχει σταθερή και ισχυρή απόδοση ακτινοβολίας 50 Watt UV-C. Η ακτινοβολία UV-C αμαλγάματος θεωρείται η ισχυρότερη ακτινοβολία UV-C που υπάρχει στην αγορά προϊόντων UV-C. Η μονάδα Blue Lagoon UV-C Timer έχει ένα ενσωματωμένο ηλεκτρονικό πηνίο υψηλών συχνοτήτων, που απορροφά τις τρέχουσες διακυμάνσεις, προστατεύοντας τη λυχνία. Επιπλέον, η συσκευή περιέχει ένα ενσωματωμένο χρονόμετρο που παρακολουθεί με ακρίβεια τον αριθμό των ωρών λειτουργίας. Μπορείτε επομένως να δείτε ακριβώς πότε πρέπει να αντικαταστήσετε τη λυχνία. Επιπλέον, το εσωτερικό από ανοξείδωτο χάλυβα διασφαλίζει την αντανάκλαση των ακτίνων UV-C. Έτσι, αυξάνεται η αποδοτικότητα έως 35%. Χάρη στη μονάδα Blue Lagoon UV-C Timer, το νερό της πισίνας απολυμαίνεται αποτελεσματικά και με ασφάλεια και η ποιότητα του νερού παραμένει άριστη. Διαθέτει συνδετήρες γενικής χρήσης. Η συσκευή μπορεί να συνδεθεί μέσω ενός σωλήνα PVC (Ø 50 και 63 mm).

Πλεονεκτήματα της εφαρμογής UV-C:

- Διασφάλιση φρέσκου, καθαρού και διαυγούς νερού
- Αποτελεσματική και ασφαλής απολύμανση νερού
- Το δεσμευμένο χλώριο αποσυντίθεται από το φως UV-C
- Προστασία της πισίνας από μικρόβια
- Ο σχηματισμός μούχλας, βακτηρίων και φυκιών βρίσκεται υπό έλεγχο
- Δυνατότητα μείωσης της χρήσης χλωρίου και άλλων χημικών έως και 80%
- Παρεμπόδιση της μυρωδιάς του χλωρίου και του ερεθισμού στο δέρμα και τα μάτια (κόκκινα μάτια)
- Μεγαλύτερη φιλικότητα προς το περιβάλλον σε σχέση με άλλες παραδοσιακές μεθόδους

Πλεονεκτήματα της μονάδας Blue Lagoon UV-C Timer:

- Ενσωματωμένος ηλεκτρονικός προεπιλογέας για ομαλή τροφοδοσία ρεύματος
- Έχει έναν διακόπτη ροής που απενεργοποιεί το μηχανήμα μόλις ανιχνευθεί απουσία διέλευσης νερού.
- Έως και 35% μεγαλύτερη απόδοση UV-C εξαιτίας της αντανάκλασης
- Έχει απόδοση 50 Watt UV-C.
- Περιλαμβάνει λυχνία Philips UV-C
- Ενσωματωμένο ρυθμιζόμενο χρονόμετρο για τη λυχνία UV-C
- Ψηφιακή ένδειξη, όταν η λυχνία πρέπει να αντικατασταθεί
- Περιβλήμα από ανοξείδωτο χάλυβα 316L
- Εύκολη εγκατάσταση και συντήρηση
- Εγγύηση 2 ετών ως προς κατασκευαστικά σφάλματα
- Με γείωση
- Περιλαμβάνονται προσαρμογείς Ø 63mm έως Ø 50mm κατά την παράδοση

Ασφάλεια

Αυτή η συσκευή παράγει επιβλαβή ακτινοβολία. Η απευθείας επαφή μπορεί να βλάψει τα μάτια και το δέρμα. Να ελέγχετε τη λειτουργία της λυχνίας UV-C μόνο μέσω των διαφανών εξαρτημάτων της μονάδας.

- Να συνδέετε πάντα τη συσκευή σε πρίζα με προστατευτικό κάλυμμα
- Να τηρείτε πάντα τους κανονισμούς της επιχείρησης ηλεκτρισμού σχετικά με την μόνιμη σύνδεση στην κύρια τροφοδοσία ρεύματος. Εάν υπάρχει κάποια αμφιβολία σχετικά με τη σύνδεση, συμβουλευτείτε έναν αναγνωρισμένο τεχνικό ή την επιχείρηση ηλεκτρισμού. Η εργασία πρέπει να γίνεται πάντα με διακοπή φορτίου που ενεργοποιείται από την παραμένουσα τάση.
- Η συσκευή πρέπει να απενεργοποιείται αν χρησιμοποιούνται βελτιωτικές ουσίες νερού ή φάρμακα.
- Αφαιρείτε πάντα το βύσμα από την πρίζα πριν από τη διεξαγωγή εργασιών συντήρησης ή επισκευής στη μονάδα. Μην εισάγετε / εξάγετε ποτέ το βύσμα από την πρίζα, ενώ στέκεστε μέσα σε νερό ή αν τα χέρια σας είναι βρεγμένα.
- Μην βυθίζετε ποτέ τη συσκευή στο νερό.
- Μην εγκαθιστάτε ποτέ τη μονάδα σε σημείο με άμεση έκθεση στο ηλιακό φως.
- Κρατάτε τα παιδιά σε απόσταση από αυτήν τη συσκευή και από το καλώδιο.

- Το καλώδιο της συσκευής δεν είναι δυνατό να αντικαθιστάται. Πρέπει να αντικαθιστάται κομπλέ η ηλεκτρική μονάδα εάν υπάρχει τυχόν ζημιά στο καλώδιο ρεύματος. Μην αφαιρείτε ποτέ το βύσμα. Αφήστε την ηλεκτρική μονάδα άθικτη. Μια ηλεκτρική μονάδα, στην οποία έχει αφαιρεθεί το βύσμα, δεν καλύπτεται πλέον από την εγγύηση.
- Μετά την απενεργοποίηση της συσκευής, η λυχνία παραμένει ζεστή για περίπου 10 λεπτά.
- Μην χρησιμοποιείτε τη συσκευή αν έχει ζημιά κάποιο από τα εξαρτήματα (ειδικά το γυαλί χαλαζία).
- Αφαιρείτε τη συσκευή αν υπάρχει κίνδυνος παγώματος στη διάρκεια των χειμερινών μηνών.
- Το περίβλημα από ανοξείδωτο χάλυβα της συσκευής δεν είναι κατάλληλο για εμβάπτιση σε νερό με υψηλή περιεκτικότητα σε άλατα. Εάν η περιεκτικότητα σε άλατα είναι πολύ υψηλή, ο χάλυβας θα οξειδωθεί και θα προκαλέσει ζημιές στο περίβλημα. Να εγκαθιστάτε πάντα τη συσκευή ακριβώς πίσω από το φίλτρο.
- Αυτό το προϊόν μπορεί να χρησιμοποιηθεί μόνο σύμφωνα με τις οδηγίες που περιγράφονται σε αυτές τις οδηγίες χρήσης.

Εγκατάσταση της γείωσης (σχέδιο 1)

- 1 Τραβήξτε το καλώδιο **(B)** μέσα από το ανακουφιστικό καταπόνησης **(F)** πριν να τοποθετήσετε το συνθετικό ανακουφιστικό καταπόνησης **(F)** στο μπουλόνι γείωσης **(A)**. Τοποθετήστε το ανακουφιστικό καταπόνησης **(F)** περίπου 10 cm από την οπή **(H)** του καλωδίου γείωσης **(B)**.
- 2 Τοποθετήστε την οπή **(H)** του καλωδίου **(B)** στο μπουλόνι γείωσης **(A)** που είναι τοποθετημένο στο περίβλημα.
- 3 Κατόπιν τοποθετήστε μια οδοντωτή ροδέλα ασφάλισης **(C)**, ένα εξάγωνο παξιμάδι **(D)** και άλλη μία οδοντωτή ροδέλα ασφάλισης **(E)** στο επάνω μέρος της οπής **(H)**.
- 4 Τοποθετήστε το ανακουφιστικό καταπόνησης **(F)** στο επάνω μέρος, δημιουργώντας μια θηλιά \varnothing 5 cm.
- 5 Στο τέλος τοποθετήστε το παξιμάδι ασφάλισης **(G)** στο μπουλόνι γείωσης **(A)**.
- 6 Μόλις τοποθετηθούν τα διάφορα παξιμάδια στο μπουλόνι γείωσης **(A)** με τη σωστή σειρά, μπορούν να σφικτούν με γερμανικό ή με πολύγωνο κλειδί διάστασης 8. Μην σφίγγετε πολύ δυνατά, διαφορετικά μπορεί να ραγίσετε το ανακουφιστικό καταπόνησης. (Το διαφανές παξιμάδι που ήταν βιδωμένο στο μπουλόνι γείωσης **(A)** κατά την παράδοση δεν έχει άλλη χρήση και μπορεί να απορριφθεί).

Εγκατάσταση της συσκευής (σχέδιο 2)

Η μονάδα Blue Lagoon UV-C Timer δεν πρέπει να εγκαθίσταται ποτέ πίσω από το ρυθμιστή Ph ή πίσω από το σύστημα ηλεκτρολύσης άλατος στην εγκατάσταση της πισίνας. Η ιδανική θέση για την εγκατάσταση της συσκευής σας είναι πίσω από την αντλία και το φίλτρο. Μην βυθίζετε ποτέ τη συσκευή στο νερό. Η εγκατάσταση πρέπει πάντα να γίνεται έξω από την πισίνα. Διασφαλίστε ότι απομένει ελεύθερος χώρος +/- 1 μέτρο για να έχετε τη δυνατότητα αφαίρεσης της λυχνίας (K) / του γυαλιού χαλαζία (M) για λόγους αντικατάστασης ή/και εκτέλεσης συντήρησης.

- 1 Η συσκευή πρέπει πάντα να τοποθετείται στην κατακόρυφη θέση και να υπάρχει χώρος 30 cm από κάτω για την εκτέλεση συντήρησης.
- 2 Ξεβιδώστε το δακτύλιο με σπείρωμα **(N)** από το περίβλημα **(U)**. Αφαιρέστε τη λυχνία UV-C **(K)** από την παρεχόμενη θήκη (βλέπε συσκευασία) και σύρετε προσεκτικά τη λυχνία στο γυαλί χαλαζία **(M)**. Συνδέστε προσεκτικά τη λευκή βάση λυχνίας **(L)** στη λυχνία UV-C **(K)** και έπειτα βιδώστε το δακτύλιο με σπείρωμα **(N)** σφίγγοντας με το χέρι στο περίβλημα **(U)**.
- 3 Η κολλητή υποδοχή για τον διακόπτη ροής **(V)** πρέπει να κολλάται στον συζεύκτη τριών στοιχείων **(I)** με το σπείρωμα της βίδας **(W)** να δείχνει προς τα επάνω (βλέπε σχέδιο 2). Μπορείτε να κολλήσετε την κολλητή υποδοχή **(V)** στον κάτω συζεύκτη τριών στοιχείων **(I)**. Τοποθετήστε τον διακόπτη ροής **(X)**, ο οποίος είναι προσαρτημένος στον ηλεκτρονικό προ-επιλογή **(S)**, κατακόρυφα προς το σπείρωμα βίδας **(U)** της κολλητής υποδοχής **(V)** (βλέπε σχέδιο 2). Η συσκευή δεν λειτουργεί αν τοποθετηθεί διαφορετικά ο διακόπτης ροής. Το βέλος στο επάνω μέρος του διακόπτη ροής **(X)** πρέπει πάντα να δείχνει στην κατεύθυνση προς την οποία ρέει το νερό. Το Blue Lagoon UV-C Amalgam δεν ενεργοποιείται αν ο διακόπτης ροής δείχνει προς την αντίθετη κατεύθυνση (αντίθετα από τη ροή του νερού).
- 4 Τοποθετήστε τα παρεχόμενα κλιπ αγωγών **(O)** σε καθορισμένες θέσεις, πιέστε τη μονάδα στα κλιπ αγωγών και σφίξτε τον συζεύκτη τριών στοιχείων **(I)**. Προσέξτε τη σωστή θέση των δακτυλίων στεγανοποίησης **(P)** όσον αφορά στις συνδέσεις και στο γυαλί χαλαζία **(ανατρέξτε στο σχέδιο 2)**.
- 5 Τοποθετήστε τη μονάδα στο κύκλωμα χρησιμοποιώντας τον συζεύκτη τριών στοιχείων **(I)** και την κολλητή υποδοχή για τον διακόπτη ροής **(V)**. Η εισαγωγή και η εξαγωγή του συζεύκτη τριών στοιχείων είναι \varnothing 63 mm. Αν οι σωλήνες είναι μικρότεροι από 63 mm, μπορείτε να χρησιμοποιήσετε τον προσαρμογέα (\varnothing 63 x \varnothing 50 mm) **(T)**. Μπορείτε να εφαρμόσετε κόλλα στον συζεύκτη τριών στοιχείων **(I)** και στην κολλητή υποδοχή για τον διακόπτη ροής **(V)**. Στη μία πλευρά του προσαρμογέα **(T)**, υπάρχει ένα σπείρωμα βίδας στο εσωτερικό που παρέχει την επιλογή τοποθέτησης προσαρμογέα με στεγανοποιητικό δακτύλιο (δεν περιλαμβάνεται στην παράδοση), αν απαιτείται.
- 6 Ενεργοποιήστε την αντλία και ελέγξτε τη ροή και την τυχόν διαρροή στο σύστημα.
- 7 Τοποθετήστε το βύσμα της συσκευής UV-C σε μια επίτοιχη πρίζα που διαθέτει γείωση ασφαλείας και αποζεύκτη κυκλώματος παραμένουσας τάσης. Ελέγξτε αν λειτουργεί η λυχνία, κοιτώντας μέσα από τα διάφανα εξαρτήματα της μονάδας. Η μονάδα απενεργοποιείται βγάζοντας το βύσμα από την πρίζα.
- 8 Ο διακόπτης ροής απενεργοποιεί αυτόματα τη συσκευή αν δεν διέρχεται νερό από αυτήν. Μπορείτε να απενεργοποιήσετε μόνιμα τη συσκευή τραβώντας το βύσμα από την υποδοχή.

Οδηγίες χρήσης του ψηφιακού χρονομέτρου

Μόλις ενεργοποιηθεί η μονάδα Blue Lagoon UV-C Timer, το πρόγραμμα διεξάγει έναν αυτοέλεγχο. Η οθόνη θα εμφανίσει αυτόματα τα παρακάτω, το ένα μετά το άλλο: 8888 (δοκιμή οθόνης); r και αριθμός έκδοσης λογισμικού; ένδειξη 50H ή 60H της συχνότητας ρεύματος. Μετά από αυτό, η οθόνη θα εμφανίσει την ένδειξη του μετρητή.

Όταν η λυχνία UVC ενεργοποιηθεί για πρώτη φορά ή μετά τη χρήση της λειτουργίας “μηνενισμός”, εμφανίζεται στην οθόνη η τιμή “4500”. Αναβοβήνει μία κουκκίδα δίπλα στο ψηφίο στο δεξιά άκρο της οθόνης. Αυτή υποδεικνύει ότι λειτουργεί ο μετρητής.

Η οθόνη ρυθμίζεται αυτόματα στην εργοστασιακή ένδειξη των 4.500 ωρών. Η λυχνία UV-C λειτουργεί σε ακτινοβολία 100% για έως 4.500 ώρες. Μετά από 4.500 ώρες, η ακτινοβολία θα εξασθενήσει και μπορεί να καταστεί ανεπαρκής για τα επιθυμητά αποτελέσματα.

Αν η λυχνία UV-C έχει ήδη χρησιμοποιηθεί παλαιότερα και ενεργοποιείται ξανά, τότε η οθόνη θα υποδεικνύει την τιμή που είχε τη στιγμή της παλαιότερης απενεργοποίησης. Αν αυξήσατε ή μειώσατε την τιμή του χρονομέτρου εσείς οι ίδιοι, τότε η οθόνη θα υποδεικνύει την τελευταία ένδειξη του χρονομέτρου πριν από την απενεργοποίησή του. Οι ρυθμίσεις του χρονομέτρου μπορούν να τροποποιηθούν, αν το επιθυμείτε.

Αυτή η ενέργεια εκτελείται ως εξής: Αφού κρατήσετε πατημένο το διακόπτη (R) κάτω από την οθόνη για 5 δευτερόλεπτα, η οθόνη θα εμφανίσει την ένδειξη “rSt”, για να υποδείξει ότι έχει επιλεγεί το μενού χρήστη. Μόλις απελευθερωθεί ο διακόπτης (R), η ένδειξη του μετρητή και η ένδειξη “rSt” αναβοβήνουν διαδοχικά στην οθόνη. Πατώντας ξανά για μικρό χρονικό διάστημα το διακόπτη, μπορείτε να μετακινηθείτε στις επιλογές μενού. Υπάρχουν 3 διαθέσιμες επιλογές ρύθμισης στο μενού: “rSt” “UP” και “dn”.

- “rSt” σημαίνει (μηνενισμός): Αυτή η επιλογή σας δίνει τη δυνατότητα να μηνενιστεί την ένδειξη του μετρητή στην εργοστασιακή ρύθμιση των 4.500 ωρών.

Αυτή η επιλογή επιβεβαιώνεται αν αναβοβήσουν διαδοχικά η ένδειξη του μετρητή και η ένδειξη “rSt” στην οθόνη. Αν κρατήσετε πατημένο το διακόπτη (R) για 5 δευτερόλεπτα, μετά από τα οποία θα εμφανιστεί η ένδειξη μετρητή 4500 και έπειτα τον απελευθερώσετε, το χρονομετρο θα ξεκινήσει την αντίστροφη μέτρηση από την τιμή των 4.500 ωρών. Αυτή η επιλογή χρησιμοποιείται αν, για παράδειγμα, έχετε αντικαταστήσει τη λυχνία ή έχετε τροποποιήσει εσείς οι ίδιοι την ένδειξη του χρονομέτρου και θέλετε να επαναφέρετε τις εργοστασιακές ρυθμίσεις.

- “UP” σημαίνει (επάνω): Αυτή η επιλογή σας δίνει τη δυνατότητα να αυξήσετε την ένδειξη του μετρητή στην ένδειξη ωρών που επιθυμείτε. Αυτή η επιλογή επιβεβαιώνεται αν αναβοβήσουν διαδοχικά η επιλεγμένη ρύθμιση χρήστη “UP” και η ένδειξη του μετρητή στην οθόνη. Μετά από αυτό, κρατήστε πατημένο το διακόπτη (R) για 5 δευτερόλεπτα. Μετά από 5 δευτερόλεπτα, η οθόνη εμφανίζει μόνο την ένδειξη “UP”. Τότε μπορείτε να απελευθερώσετε το διακόπτη.

Πατώντας για μικρό χρονικό διάστημα το διακόπτη, η τιμή του μετρητή μπορεί τώρα να αυξάνεται ανά 500 ώρες σε σχέση με την τιμή των 4500 με μείνιστη τιμή τις 9999. Η αυξημένη τιμή και η ένδειξη “UP” αναβοβήνουν διαδοχικά στην οθόνη.

Αφού επιλέξετε την επιθυμητή ένδειξη ωρών, περιμένετε 10 δευτερόλεπτα. Μετά από 10 δευτερόλεπτα, θα εμφανιστεί η επιλεγμένη ένδειξη ωρών και θα ξεκινήσει η αντίστροφη μέτρηση του χρονοδιακόπτη.

Αν κάνετε κάποιο λάθος κατά την αύξηση της ένδειξης του μετρητή, μπορείτε να μηνενιστείτε το μετρητή στις 4500, κρατώντας πατημένο το διακόπτη για 5 δευτερόλεπτα. Η τιμή μετρητή θα μηνενιστεί έπειτα στις 4500 και μπορείτε να ρυθμίσετε μια νέα τιμή.

- “dn” σημαίνει (κάτω): Αυτή η επιλογή σας δίνει τη δυνατότητα να μειώσετε την ένδειξη του μετρητή στην ένδειξη ωρών που επιθυμείτε.

Αυτή η επιλογή επιβεβαιώνεται αν αναβοβήσουν διαδοχικά η επιλεγμένη ρύθμιση χρήστη “dn” και η ένδειξη του μετρητή στην οθόνη. Μετά από αυτό, κρατήστε πατημένο το διακόπτη (R) για 5 δευτερόλεπτα. Μετά από 5 δευτερόλεπτα, η οθόνη εμφανίζει μόνο την ένδειξη “dn”. Τότε μπορείτε να απελευθερώσετε το διακόπτη.

Πατώντας για μικρό χρονικό διάστημα το διακόπτη, η τιμή του μετρητή μπορεί τώρα να μειώνεται ανά 500 ώρες σε σχέση με την τιμή των 4500 με κατώτερη τιμή τις 0000. Η μειωμένη τιμή και η ένδειξη “dn” αναβοβήνουν διαδοχικά στην οθόνη.

Μόλις επιλέξετε την επιθυμητή ένδειξη ωρών, περιμένετε 10 δευτερόλεπτα. Μετά από 10 δευτερόλεπτα, θα εμφανιστεί η επιλεγμένη ένδειξη ωρών και θα ξεκινήσει η αντίστροφη μέτρηση του χρονοδιακόπτη.

Αν κάνετε κάποιο λάθος κατά τη μείωση της ένδειξης του μετρητή, μπορείτε να μηνενιστείτε το μετρητή στις 4500, κρατώντας πατημένο το διακόπτη για 5 δευτερόλεπτα. Η τιμή μετρητή θα μηνενιστεί έπειτα στις 4500 και μπορείτε να ρυθμίσετε μια νέα τιμή.

Το χρονομετρο υποδεικνύει ότι απαιτείται αντικατάσταση της λυχνίας με τον παρακάτω τρόπο:

- Στη θέση ώρας 0672, η οθόνη αναβοβήνει κάθε δευτερόλεπτο. Η λυχνία πρέπει να αντικατασταθεί σε διάστημα 4 εβδομάδων.
- Στη θέση ώρας 0336, η οθόνη αναβοβήνει κάθε μισό δευτερόλεπτο. Η λυχνία πρέπει να αντικατασταθεί σε διάστημα 2 εβδομάδων.
- Στη θέση ώρας 0168, η οθόνη αναβοβήνει κάθε ¼ του δευτερολέπτου. Η λυχνία πρέπει να αντικατασταθεί σε διάστημα 1 εβδομάδας.
- Στη θέση ώρας 0000, τα ψηφία αναβοβήνουν συνεχώς και ο μετρητής διακόπτει την αντίστροφη μέτρηση. Η λυχνία πρέπει να αντικατασταθεί.

Αποσυναρμολόγηση / Συντήρηση

Να απενεργοποιείτε πάντα την τροφοδοσία ρεύματος κατά τη διάρκεια της συντήρησης/αποσυναρμολόγησης της συσκευής.

Η συσκευή πρέπει να καθαρίζεται δύο φορές ετησίως. Εάν υπάρχει αύξηση των φυκιών ή/και κλιμάκωση, τότε πρέπει να καθαρίζεται ο σωλήνας γυαλιού χαλαζία (M) στον οποίο βρίσκεται η λυχνία. Η ειδική λυχνία πρέπει να αντικαθίσταται το αργότερο μετά από 4.500 ώρες

λειτουργίας. Το εσωτερικό από ανοξειδωτο χάλυβα πρέπει να καθαρίζεται με μια μαλακή βούρτσα.

- Ξεβιδώστε τους συζεύκτες τριών στοιχείων (**I**) και αποσπαραγίστε το νερό από τη συσκευή.
- Ξεβιδώστε το βιδωτό καπάκι (**N**) και απουθενώστε τη λυχνία (**K**) από τη βάση λυχνίας (**L**). Αφαιρέστε τη λυχνία από το υαλί χαλαζία και, αν είναι απαραίτητο, αντικαταστήστε την ειδική λυχνία (**K**). Επειδή αυτά τα μέρη είναι πολύ εύθραυστα, απαιτείται προσοχή.
- Αφαιρέστε προσεκτικά το υαλί χαλαζία (**M**) με ένα μεγάλο πλακέ κατσαβίδι (**ανατρέξτε στο σχέδιο 3**). Μην ασκείτε ποτέ δύναμη!
- Καθαρίστε το υαλί χαλαζία με κατάλληλο διάλυμα. Χρησιμοποιείτε πάντα ένα μαλακό πανί για τον καθαρισμό του υαλιού, για να μην το γρατσουνίσετε.
- Προσέξτε τη σωστή θέση των 3 δακτυλίων σφράγισης (**P**) κατά την αντικατάσταση του υαλιού χαλαζία στο περίβλημα και συμπεριλάβετε προσεκτικά το άκρο του υαλιού χαλαζία στην εισαγωγή (**Q**) (**ανατρέξτε στο σχέδιο 4**). Μην ασκείτε ποτέ δύναμη!
- Τοποθετήστε ξανά προσεκτικά τη λυχνία στο υαλί χαλαζία και συνδέστε τη λυχνία (**K**) στη βάση λυχνίας (**L**). Βιδώστε ξανά το βιδωτό καπάκι (**N**) στο περίβλημα.
- Η ηλεκτρική μονάδα της συσκευής βρίσκεται στο κουτί οθόνης (**S**) της συσκευής. Αυτό το κουτί οθόνης είναι κολλημένο και δεν είναι δυνατό να ανοιχτεί. Εάν αντικατασταθεί η ηλεκτρική μονάδα ή η οθόνη, ολόκληρο το κουτί πρέπει να ξεβιδωθεί και να απουθενωθεί η καλωδίωση από τη συσκευή (**ανατρέξτε στο σχέδιο 1**). Ξεβιδώστε το επάνω βιδωτό μέρος (**N**) και αφαιρέστε προσεκτικά τη βάση λυχνίας από τη λυχνία. Τα τυχόν χαλαρά μέρη, π.χ. της γείωσης κ.λπ., πρέπει να φυλάγονται προσεκτικά, καθώς δεν παρέχονται με νέο περίβλημα ή ηλεκτρική μονάδα. Σε περίπτωση αμφιβολιών σχετικά με τη σύνδεση, επικοινωνήστε με αναγνωρισμένο εγκαταστάτη.
- Αν πρέπει να αντικατασταθεί το περίβλημα, η γείωση (**J**) και η ηλεκτρική μονάδα με την οθόνη (**S**) πρέπει πρώτα να απουθενθούν από το περίβλημα (**U**) (**ανατρέξτε τα σχέδια 1 & 2**). Ξεβιδώστε την ηλεκτρική μονάδα με την οθόνη (**S**) και τη βάση της λυχνίας από το περίβλημα. Φροντίστε να φυλάξετε προσεκτικά τα διάφορα χαλαρά μέρη της γείωσης, επειδή δεν παρέχονται μαζί με το νέο περίβλημα. Αφαιρέστε τη λυχνία (**K**) και το υαλί χαλαζία (**M**) από το περίβλημα, για να μην σπάσουν κατά τη μεταφορά. Σε περίπτωση αμφιβολιών σχετικά με τη σύνδεση, επικοινωνήστε με αναγνωρισμένο εγκαταστάτη.
- Απουθενώστε τον διακόπτη ροής από την κολλητή υποδοχή. Ξεβιδώστε τους συζεύκτες τριών στοιχείων και αφαιρέστε το περίβλημα από τα κλιπ αγωγών.

Τεχνικές προδιαγραφές

• Λυχνία Philips TUV T5	130 Watt
• Απόδοση UV-C (W)	50 Watt
• UV-C (%) μετά από 4.500 ώρες	85%
• Περιεκτικότητα πύσσας (l)	150.000 l
• Μέγ. διέλευση	30.000 l/h
• Μέγ. πίεση	3 bar
• Μέγεθος σύνδεσης	Ø63 mm
• Μήκος της συσκευής	100 cm

Τύποι συστημάτων UV-C

Κωδικός: B210006 Blue Lagoon UV-C Timer 150,000 l / 130 Watt (230V, 50/60Hz)

Λυχνίες αντικατάστασης

Κωδικός: E800904 Τύπος λυχνίας TUV 130 Watt 4P-SE Amalgam (130 Watt)

Όροι εγγύησης

Κάνετε μια εξαιρετική επιλογή αγοράζοντας αυτό το προϊόν. Η συσκευή έχει συναρμολογηθεί προσεκτικά και σύμφωνα με όλους τους ισχύοντες κανονισμούς ασφαλείας. Για λόγους ποιότητας, ο κατασκευαστής έχει χρησιμοποιήσει μόνο υλικά υψηλής ποιότητας και προσφέρει εγγύηση για την συσκευή, η οποία καλύπτει σφάλματα υλικού και κατασκευής για περίοδο 2 ετών από την ημερομηνία αγοράς. Η λυχνία και το υαλί χαλαζία δεν συμπεριλαμβάνονται σε αυτήν την εγγύηση. Αξιώσεις βάσει της εγγύησης είναι δυνατές μόνο αν το προϊόν επιστραφεί με πληρωμή των τελών αποστολής και έγκυρη απόδειξη αγοράς. Οι επισκευές εντός της εγγύησης επιτρέπεται να εκτελούνται μόνο από τον προμηθευτή. Δεν αναγνωρίζονται αξιώσεις εγγύησης που προκαλούνται από λάθη εγκατάστασης ή χρήσης της συσκευής. Τα ελαττώματα που προκύπτουν από ανεπαρκή συντήρηση δεν καλύπτονται επίσης από την εγγύηση. Ο προμηθευτής δεν θεωρείται σε καμία περίπτωση υπεύθυνος για οποιαδήποτε ζημία που προκαλείται από κακή χρήση του προϊόντος. Ο προμηθευτής δεν φέρει ευθύνη για επακόλουθες ζημιές που προκαλούνται από την κατάρρευση της συσκευής. Αναγνωρίζονται ενστάσεις σχετικά με ζημιές από την μεταφορά μόνο αν η ζημία αναγνωρίστηκε ή επιβεβαιώθηκε κατά την παράδοση από τον μεταφορέα ή τις ταχυδρομικές αρχές. Είναι δυνατές τυχόν αξιώσεις ως προς τον μεταφορέα ή τις ταχυδρομικές αρχές, αν έχει συμβεί το παραπάνω.

Cihazı monte etmeden önce kullanım kılavuzunu dikkatlice okuyunuz.

İşlevi

Blue Lagoon UV-C Timer UV-C ışınları 253,7 nm dalga uzunluğunda özel bir Philips UV lambasıyla realize edilmekte olup, bakterileri öldürücü özelliğine sahiptir (bu durum ciğer hastalığına sebep olan tehlikeli [Legionella] bakterisi içinde geçerlidir). Blue Lagoon UV-C Timer çok yararlı olduğu kadar suyun doğaya zarar vermemek, serin ve berrak olmasını sağlamaktadır. Suyun UV-C pompası vasıtasıyla cihazdan geçmesi sağlanıyor. UV-C ışınları bakterileri, virüs ve diğer zararlı organizmaları nötral hale getirip genişlemesini önlemektedir. Cıva alaşımli lamba sudaki ısı değişikliklerinden etkilenmediği gibi, sürekli olarak güçlü bir şekilde 50 Watt UV-C ışınları sağlar. Cıva alaşımli UV-C piyasasında bilinen ve elde edilebilecek en güçlü UV-C ışınına sahiptir. Blue Lagoon UV-C Timer bünyesinde yüksek teknolojiyle üretilmiş elektronik bir ballast bulundurmaktadır. Bu ballast elektrikteki dalgalanmaları dengeleyerek lambayı korumaktadır. Cihaz ayrıca gene bünyesinde bulundurduğu bir sayaç sayesinde kaç saat kullanıldığını/yandığını en ayrıntılı şekilde göstermektedir. Ne zaman lambanın değişmesi gerektiğini görebilirsiniz. Ayrıca RVS iç kısmı UV-C ışınlarının refleksiyonunu sağlamak suretiyle elde edilen verimi % 30 kadar arttırmaktadır. Blue Lagoon UV-C Timer sayesinde suyunuz en etkin ve emniyetli bir şekilde dezenfekte eilmekte ve mükemmel bir su kalitesi ortaya çıkarmaktadır. Üniversal bağlantı parçalarına sahiptir. Cihazı, (Ø 50 en 63 mm) büyüklüğünde bir pvc borusu vasıtasıyla yerleştirilmektedir.

UV-C uygulamasının avantajları:

- Suyun serin, temiz ve berrak olmasını sağlar
- Suyu etkin ve emniyetli bir şekilde dezenfekte eder
- UV-C ışınları birleşmiş klorları kırar
- Havuzunuzu hastalığa neden olan Mikro organizmalardan korur
- Mantar-, bakteri ve yosun oluşmasına karşı kontrol altında tutar
- Klor ve diğer kimyasalların kullanımını % 80 azaltır
- Göz ve cilde olumsuz etki eden klor havasını önler (kızamık gözler)
- Bilinen metodlara karşı, iklim ve doğa için daha yararlıdır

Blue Lagoon UV-C Timer'in avantajları:

- Dengeli elektrik akımını sağlamak amacıyla içine yerleştirilmiş elektronik bir ön kapatma cihazı bulunmaktadır.
- Suyun hareket etmemesi durumunda cihaz (flow switch) devre dışı kalır.
- Refleksiyondan kaynaklanan % 35 daha fazla UV-C getirisi vardır
- UV-C çıkışı (output) 50 Watt'dır.
- Bir UV-C Philips lambası
- UV-C bünyesinde ayarlanabilen bir saat sayacı bulundurmaktadır
- Lambanın değişme zamanının geldiğini dijital sayaç göstermektedir
- 316L paslanmaz çelik gövdeye sahiptir
- Basit şekilde montaj ve bakımı yapılabilir
- Fabrika hatalarına karşı 2 yıl garantilidir.
- Toprak hattına sahiptir
- Ø 63mm'den Ø 50mm'ye kadar olan parçalar beraberinde verilmektedir.

Emniyet:

Bu cihaz zararlı ışınlar üretmektedir. Direk kontak kurulması halinde göz ve cilt içinde hasarlar oluşabilir. UV-C lambasını sadece ünitenin transparan bölümünden kontrol edin.

- Cihaz fişini her zaman için kapatılabilen fiş yuvasına sokun
- Tam anlamıyla devamlı bir elektrik bağlantısı için enerji şirketinin kurallarına tamamen uyulması gerekmektedir. Herhangi bir şüphe durumunda enerji şirketinin uzman bir montörüne danışın. Her zaman için topraklama hattının bulunmasını sağlayın.
- Su işlemlerinde veya bazı ilaçların kullanımında cihazın tamamen kapatılması gerekmektedir.
- Cihazın bakım veya tamirat işlemlerini yapmadan önce, her zaman itibarıyla fişi prizden çıkarın. Su içinde olmanız veya elinizin ıslak olması durumunda, hiç bir şekilde fişi prize sokup/çıkartmayın.
- Cihazı hiç bir şekilde su altına daldırmayın.
- Cihazı hiç bir şekilde güneşin çok yoğun olduğu bir ortamda monte etmeyin.
- Çocukları cihaz veya kablodan uzak tutun.

- Bu cihazın kablosunun değiştirilmesi mümkün değildir. Olası bir zararın oluşmasında cihazın tüm elektrik bölümünün yenilenmesi gerekmektedir. Fiş'i hiçbir zaman atmayın, ama elektrik kısmını sabit bırakın. Kesilmiş bir elektrik fişi garanti kapsamına girmez.
- Cihazı kapattıktan sonra, lamba yaklaşık 10 dakika boyunca yanmaya devam edecektir.
- Parçaların zarar görmesi durumunda (özellikle de çeyrek cam), cihazı kullanmayın.
- Kış aylarında donma tehlikesine karşı cihazı çıkartın.
- Cihazın paslanmaz çelik yuvası yüksek miktarda tuz bulunduran yüzme havuzları için uygun değildir. Tuz oranının çok yüksek olması durumunda çelik aksamda oluşacak oksidlenmeyle zarar vermektedir. Cihazı her zaman itibarıyla direk olarak filtreden sonra yerleştirin.
- Bu ürün sadece kullanım kılavuzundaki açıklamalar çerçevesinde kullanılabilir.

Toprak hattı kablosunun montajı (Resim 1)

- 1 Plastik Dağıtım yerinden önce [çekici gücün dağıtıldığı yer/trekontlasting] (F) toprak hattı pirizine (A) monte ederek önce kabloyu (B) çekici gücün dağıtıldığı bölgeden (F) alın. [Trekontlasting]'i (F) yaklaşık olarak gözden 10 cm uzaklıkta (H) toprak hattı kablosundan (B).
- 2 Gözü yerleştirin (H) kabloyu (B) ise toprak hattı pirizindeki (A) donanımına bağlı olan kısma.
- 3 Daha sonra dişli zinciri yerleştirin (C), altı köşeli somun (D) ve tekrar dişli zinciri (E) göze yerleştirin (H).
- 4 [Trekontlasting]'i takın (F) yukarıya takarak Ø 5cm'lik bir alan oluşmasını sağlayın.
- 5 Son olarak emniyet somunu (G) toprak hattına (A) yerleştirin.
- 6 Değişik somunlar doğru sıralamayla toprak hattına (A) 8 no'lu parça veya yükük anahtarları vasıtasıyla yerleştirilerek sıkıştırılması gerekmektedir. Tamamen sıkıştırmak suretiyle yalama yapmasını ise önleyiniz, çünkü bu durumda [trekontlasting] yırtılabilir. Cihazla birlikte verilen toprak hattı fişi transparan somunu (A) vidalanmış olan bu somun başka bir işlevi olmadığından atılabilir.

Cihazın montajı (Resim 2)

Blue Lagoon UV-C timer hiçbir zaman direk PH ayarlayıcı sonrası veya havuz teçizatı tuz elektrolize sisteminden önce monte etmeyin. Cihazı monte edeceğin en uygun yer, hemen filtre sonrasıdır. Cihazı hiç bir şekilde suyun altına daldırmayın. Montaj işleminin her zaman için havuzun dışında yapılması gerekmektedir. Lambayı (K) / çeyrek cam (M) dan çıkarma, bakım ve/veya değiştireceğiniz zaman yaklaşık +/- 1 metre kadar bir alanı boş bırakın.

- 1 Cihaz her zaman itibarıyla dikey olarak sabitlenerek.
- 2 Civata bağlantısını döndürmek (N) suretiyle bünyesinden çıkartın (U). UV-C lambasını (K) beraberinde verilen yuvasından çıkartın (ambalaja bakınız) ve lambayı dikkatlice çeyrek camın içine yerleştirin (M). Beyaz lamba yuvasını (L) dikkatlice UV-C lambasına (K) yerleştirin ve sonrasında ise civata bağlantısını/çemberini (N) elinizle gövdeye yerleştirin (U).
- 3 Flow switch için olan tutkal yuvası (V) vida dışı vasıtasıyla (W) yönü yukarıya dönük şekilde üç başlıklı kavramaya yapıştırılması gerekmektedir. (I) (2. resime bakınız). Tutkal yuvasını (V) en aşağıdaki üç başlıklı (I) kavrayamaya yapıştırın. Flow switch (X) sabit olan elektronik ön şaltere (S) vida dışını direk üstündeki (U) tutkal yuvasına monte edin. (V). (2. resime bakınız). Flow switch'in başka şekilde monte edilmesi durumunda, cihaz çalışmaz. Flow switch'in üstündeki ok'un (X) her zaman itibarıyla suyun hareket ettiği istikamete yönelik olması gerekmektedir. Su akıntısının tam karşı istikametinde olması durumunda Blue Lagoon UV-C civa alarımı fonksiyon dışı olacaktır.
- 4 Beraberinde verilen boru bağlantılarını (O) belirli bir yerde monte edin, üniteyi boru bağlantılarına sabitleyin ve üç bölümlü başlığı (I) çevirmek suretiyle sıkıştırın. Bu arada kapatma yüzüklerinin pozisyonuna (P) hem bağlantılarda hem de çeyrek camda dikkat edin. (2. Resime bakınız).
- 5 Üniteyi üç başlıklı kavrama vasıtasıyla (I) ve flow switch tutkal yuvası (V) içine sokun. Üçlü başlığın iç ve çıkış kısmı Ø 63 mm. Teçizatın 63 mm den daha küçük olması durumunda (Ø 63 x Ø 50 mm) (T) uzantısını kullanabilirsiniz. Bunu üç başlıklı kavramaya (I) ve flow switch tutkal yuvasına (V) yapıştırabilirsiniz. Uzantının iç kısmının (T) bir tarafında bir vida dışı bulunmakta, bunun görevi kapatma bağlantısı dahil olmak üzere (bunlar beraberinde verilmemektedir) muhtemel montaj imkanı sağlamaktadır.
- 6 Pompayı çalıştırın ve sistemdeki akıntı ve sızıntıyı kontrol edin.
- 7 UV-C cihazının fişini topraklama şalteri olan bir duvar prizine takınız. Cihazın transparan bölümlerinde lambanın yanıp yanmadığını kontrol ediniz..
- 8 Cihazın içinde su akıntısı olmaması durumunda, flow switch cihazı otomatik olarak devre dışı bırakır. Fişi prizden çıkarmak suretiyle cihaz tamamen devre dışı kalacaktır.

Dijital saat sayacının kullanımı

Blue Lagoon UV-C Timer işleme koyulduğunda, program kendini test ediyor. Ekranda şu indikasyonlar otomatik olarak arka arkaya görüntüleniyor : 8888 (display test) ; r ve software versiyon numarası ; 50H veya 60H net frekansının indikasyonu
Sonrasında ise display sayaç pozisyonuna geçiyor.

Şayet UVC lambası ilk defa açıldıysa veya "reset" fonksiyonu kullanıldıktan sonra kullanıldıysa, ilk önce display/ekranda 4500 değerini

göreceksiniz. Display'in sağ tarafında her saniye yanıp sönmesiyle sayacın anlıyorsunuz.

Sayaç otomatik olarak fabrika tarafından ayarlandı. 4500 standında durmaktadır. 4500 saate kadar UV-C lambası % 100 oranında ışın vermektedir. 4500 saatten sonra ise ışınlar da zayıflama olacağından, bu durum istenilen sonucu vermede yetersiz kalabilir.

Şayet UVC lambası daha uzun kullanılmış ve daha önceden işleme konulduysa, tekrar açtıktan sonra UV-C lambasının kapanmadan önceki veriyi gösterecektir. Şayet sayacı kendinizin yükseltmesi veya düşürmesi durumunda son sayaç durumu, kapanmadan önceki veriyi gösterecektir.

Arzu edilmesi durumunda sayaç ayarlarını değiştirebilirsiniz. Bunu şu şekilde yapıyorsunuz:

5 saniye sonra şalteri basılı tutmakla (R) display'in altında "rSt" görüntülenmesiyle menü kullanım indikasyonu devreye girer. Şalteri bırakmanız durumunda (R) sayaç pozisyonu yanıp söner ve "rSt" değiştirilerek display de gözükür. Sonrasında ise şalteri kısa bir süre basılı tutarak menü basamaklarını görürsünüz. Menü de 3 adet ayarlama olanağı bulunmaktadır "rSt" "UP" ve "dn".

- "rSt" (reset/silme) anlamına gelmektedir: bununla birlikte sayaç pozisyonunu 4500 saat olan fabrika ayarlarına geri getiriyorsunuz. Bu ayar "rSt" nin display de yanıp sönmesiyle teyid edilmiş olmaktadır. Şayet şalteri (R) 5 saniye tutmanız durumunda sayaç 4500 pozisyonuna gelmektedir, daha sonra bıraktığınızda sayaç tekrar 4500 saatten geriye doğru saymaya başlıyor. Bu seçeneği örneğin lambayı değiştirmeniz veya sayaç pozisyonunu kendinizin değiştirmesi ve tekrar fabrika ayarlarına getirmeniz durumunda söz konusu olabilir.

- "UP" (up/yukarı) anlamına gelmektedir: sayaç pozisyonu bu şekilde sizin tarafınızdan arzu edilen saat ayarına yükseltilebilir. Bu sistem seçilmiş kullanım ayarları "UP" ve display sayacının değişik şekilde yanıp sönmesiyle sabitlenmiş olmaktadır. Bundan sonra şarteli (R) 5 saniye basılı tutmanız gerekmektedir. Display de 5 saniye sonra sadece "UP" görüntüsü kalmaktadır. Daha sonra şalteri bırakmanız gerekmektedir.

Şalterin kısa süreli basılı tutulması durumunda sayaç değeri 4500 den 500 saat şeklinde maksimum 9999'a ulaşabilir. Yükselmiş değerleri display'de yanıp sönen "UP" şeklinde görebilirsiniz.

Şayet istenilen saati ayarladıysanız 10 saniye bekliyorsunuz. 10 saniye sonra ayarlanan saat otomatik olarak ekrana geliyor ve geri sayım başlıyor.

Örneğin saat ayarını yükseltirken bir yanlışlık yapmanız durumunda şalteri 5 saniye basılı tutarak, sayacı tekrar 4500'e geri getirebilirsiniz. Sayaç değeri 4500'e geri reset oluyor ve bu durumda tekrar yeni saat ayarlaması yapabilirsiniz.

- "dn" (down/aşağı) anlamına gelmektedir: bununla birlikte sayaç ayarı istediğiniz saat ayarına indirilebilir.

Bu ayarlama "dn" ayarının seçilmesi durumunda ve sayacın ekranda yanıp sönmesiyle teyid edilmiş olmaktadır. Sonrasında ise şalteri (R) 5 saniye basılı tutmanız gerekmektedir. 5 saniye sonrasında display de sadece "dn" gözükecektir. Bu durumda şalteri bırakmanız gerekmektedir. Şalterin kısa süreli basılı tutulması durumunda sayaç değeri 4500 den 500 saatlik değerler şeklinde minimum değer olan 0000'a düşmüş olacaktır. Alçalmış değerleri display'de yanıp sönen "dn" şeklinde görebilirsiniz.

Şayet istenilen saati ayarladıysanız 10 saniye bekliyorsunuz. 10 saniye sonra ayarlanan saat otomatik olarak ekrana geliyor ve geri sayım başlıyor.

Örneğin saat ayarını düşürürken bir yanlışlık yapmanız durumunda şalteri 5 saniye basılı tutarak, sayacı tekrar 4500'e geri getirebilirsiniz. Sayaç değeri 4500'e geri reset oluyor ve tekrar yeni saat ayarlaması yapabilirsiniz.

Sayaç göstergesi şu şekilde lambanın değişmesi gerektiğini gösteriyor:

- 0672 saat ayarından itibaren; display her saniye yanıp söner. Bu durumda lambanın 4 hafta sonra değişmesi gerekmektedir.
- 0336 saat ayarından itibaren; display her yarım saniye yanıp söner; Bu durumda lambanın 2 hafta sonra değişmesi gerekmektedir.
- 0168 saat ayarından itibaren; display her ¼ saniye yanıp söner; Bu durumda lambanın 1 hafta sonra değişmesi gerekmektedir.
- 0000 saat ayarından itibaren; rakamlar hızlı yanıp sönmeye başlar ve sayaç artık geriye saymaz. Lambanın hemen değişmesi gerekmektedir.

Demontaj / Bakım ve onarım

Cihazın bakım / demontaj işlemlerinde elektrik akımını her zaman itibarıyla kapatın.

Cihazın yılda 2 kez temizlenmesi gerekmektedir. Yosun ve/veya kireçlenme de artış olması durumunda, yuvanın (M) içine koyulan çeyrek camların temizlenmesi gerekmektedir. Bu özel lamba en geç 4.500 saat kullanımdan sonra değişmelidir. RVS iç kısmının ise yumuşak bir fırça ile temizlenmesi gerekmektedir.

1 Üç başlı kavramayı (I) gevşetin ve suyun cihazdan akmasını sağlayın.

2 Cıvatayı bağlantısından (N) ve lambayı (K) yuvasından çıkartın (L). Lambayı çeyrek camdan alın ve gerektiğinde ise bu özel lambayı değiştirin (K). Hassas bölümler sözkonusu olduğu için çok dikkatli olunması gerekmektedir.

3 Çeyrek camı dikkatli bir şekilde (M) büyük ve düz bir tornavida vasıtasıyla çıkartın (Resim 3'e bakınız). Hiç bir şekilde forse etmeyin!

4 Çeyrek camı bunun için uygun olan bir madde ile temizleyin. Her zaman yumuşak bir bez kullanın, çizilmeyi önleyin.

5 Çeyrek camın kapatma yüzükleriyle doğru pozisyonda tekrar yerleştirilmesinde dikkatli olunması gerekmektedir (P) ve sonuç itibarıyla

- çeyrek camı dikkatli bir şekilde yuvasına koyunuz (**Q**) (**resim 4'e bakınız**). Hiç bir zaman forse etmeyiniz!
- 6 Lambayı dikkatlice tekrar çeyrek camın içine yerleştirin ve lambayı (**K**) yuvasına (**L**) sabitleyin. Civatayı tekrar (**N**) takarak gövdeye yerleştirin.
- 7 Cihazın elektrik bölümü cihazın display kutusunda (**S**) bulunmaktadır. Bu display kutusu tamamen yapılandırılmış olup açılması mümkün değildir. Elektrik bölümünün veya display'in değiştirilmesi durumunda tüm kutunun çıkartılması gerektiği gibi kabloları da cihazdan çıkarmak gerekir (**1. resime bakınız**). Civata bağlantısını gevşetin (**N**) ve lambayı yuvasından dikkatlice çıkartın. Topraklama ve benzeri parçaların çok iyi saklanmasına dikkat ediniz. Bunlar yeni gövde veya elektrik bölümüyle birlikte verilmemektedir. Bu işlemlerde olası muhtemel bir şüphe durumunda mutlaka uzman bir teçhizatçıya danışın.
- 8 Gövdenin değişmesi gerektiğinde, topraklama (**J**) ve display'li elektrikli bölümünü (**S**) ilk önce gövdeden (**U**) çıkartılması gerekmektedir (**1 & 2. resimlere bakınız**). Display deki elektrikli bölümü (**S**) gövde deki lamba yuvasından çıkartın. Topraklama ve benzeri parçaların çok iyi saklanmasına dikkat ediniz. Bunlar yeni gövdeyle birlikte verilmemektedir. Lambayı çıkartın (**K**) ve çeyrek camı (**M**) nakliye esnasında olası bir kırılmaya karşı gövdesinden çıkartın. Bu işlemlerde olası muhtemel bir şüphe durumunda mutlaka uzman bir teçhizatçıya danışın.
- 9 Flow switch'i tutkal yuvasından çıkartın. 3 başlıklı kavramayı çıkartmak suretiyle, yuvayı boru bağlantısından çıkartın.

Teknik veriler

• Philips TUV T5 lambası	130 Watt
• UV-C (W) çıkışı	50 Watt
• UV-C (%) 4.500 saat sonra	85%
• Yüzme havuz hacmi (L.)	150.000 L
• Max. Akım	30.000 l/h
• Max. Basınç	3 bar
• Bağlantı	Ø63mm
• Cihazın uzunluğu	100cm

UV-C tipi sistemler

Artikel numarası: B210006 Blue Lagoon UV-C Timer 150.000L / 130 Watt (230V; 50/60Hz)

Değiştirilen lamlalar

Artikel numarası: E800904 tipi lamba TUV 130 Watt 4P-SE Amalgam (130 Watt)

Garanti şartları

Bu ürünle birlikte çok iyi bir seçim yaptınız. Cihaz dikkatli ve tüm emniyet kriterlerine uygun bir şekilde dizayn edilip hazırlanmıştır. Üretici firma, kalitenin sağlanması için en değerli materyalleri kullanmıştır. Üretici firma, cihazın satın alındığı tarihten itibaren, 2 yıl boyunca parça ve fabrika hatalarına karşın garanti sunmaktadır. Cihaz dikkatli bir şekilde ve uygulanabilir bütün emniyet kriterleriyle donatılmıştır. Kalitenin korunması adına üretici firma en yüksek standart parçaları kullanmıştır. Yetkili şirket, cihazın satıldığı tarihten itibaren 2 yıl boyunca material- ve fabrika hatalarına karşı garanti sunmaktadır. Çeyrek camın içinde bulunan lamba ise garanti dışında kalmaktadır. Garanti durumları sadece ürünün franco olarak geri gönderilmesiyle ve satın alındığını gösteren belgeyle mümkün olmaktadır. Montaj- ve uygulama hataları, uzmanlardan yararlanılmaması, emniyet kriterlerine uyulmaması, bakım işlemlerinin gerektiği gibi yapılmaması, zarar verilmesi, aynı şekilde teknik değişikliklerin yapılması durumunda garanti haklarından yararlanma sözkonusu değildir. Ürünü satan firma cihazın tamininin yapılması veya tamamen değiştirilmesinde tek yetkilidir. Devamında ortaya çıkan zararlar garanti kapsamı dışında kalır. Transport dan kaynaklanan zararlar sadece teslimat esnasında tespit edilmesi durumunda veya taşıyıcı firmanın bunu kabullemesi durumunda ödenebilir. Bu durumda zararın karşılanması için taşıyıcı veya posta firmasına başvuru yapılması gerekmektedir.

Prosimy dokładnie zapoznać się z niniejszą instrukcją użytkowania przed instalacją tego urządzenia.

Opis Działania

W programatorze Blue Lagoon UV-C, promieniowanie ultrafioletowe UV-C o długości fali 253,7 nm jest generowane przez specjalną lampę ultrafioletową UV marki Philips, posiadającą bakteriobójcze działanie (włączając w to bakterie Legionella). Programator Blue Lagoon UV-C zapewni Twojemu basenowi czystą i świeżą wodę w bardzo wydajny sposób, przyjazny dla środowiska naturalnego. Woda biegnie poprzez urządzenie UV-C, zasilanej za pomocą pompy. Promieniowanie ultrafioletowe powoduje UV-C, powoduje neutralizację bakterii, wirusów i innych prymitywnych organizmów, powstrzymując jej jednocześnie od rozmnażania. Na amalgamatową lampę nie ma wpływu temperatura wody, a jej stała wydajność o mocy 50 watów umożliwia równomierne promieniowanie UV-C. Ultrafioletowa UV-C lampa amalgamatowa jest uznawana na rynku tego typu urządzeń za lampę dającą najsilniejsze ultrafioletowe promieniowanie. Programator Blue Lagoon UV-C, posiada wbudowany wysokiej częstotliwości stabilizator elektroniczny, który absorbuje wahania prądu, chroniąc w ten sposób lampę. Urządzenie również zawiera zintegrowany czasomierz, który na bieżąco monitoruje czas jego działania, co pozwala dokładnie określić konieczność wymiany lampy. Dodatkowo, wykonane z stali nierdzewnej wnętrze urządzenia, zapewnia odbijanie promieniowania ultrafioletowego UV-C, zwiększając jego bezpieczeństwo i wydajność do 35%. Dzięki programatorowi Blue Lagoon UV-C, woda w basenie pływakim w sposób bezpieczny i wydajny ulega dezynfekcji, co zapewnia doskonałą jakość wody. Wyposażona jest w uniwersalne złącza połączeniowe tak więc urządzenie to, może być podłączone za pomocą rurek PCV o przekroju \emptyset 50 i długości 63 mm).

Zalety promieniowania ultrafioletowego UV-C:

- Zapewnia czystą, świeżą i klarowną wodę
- W sposób bezpieczny i wydajny dokonuje dezynfekcji wody
- graniczenia dotyczące stosowania chloru jest eliminowane za pomocą światła ultrafioletowego UV-C
- Chroni Twój basen przed zarazkami
- Kontroluje formowanie się pleśni, bakterii i alg
- Ogranicza zastosowanie chloru i innych środków chemicznych do 80%
- Zapobiega wydzielaniu się zapachu chloru i podrażnieniom skóry i oczu (zaczernienie oczu)
- Jest bardziej przyjazne dla środowiska naturalnego niż tradycyjne metody

Zalety Programatora Lagoon UV-C:

- Wbudowany elektroniczny stabilizator, zapewniający stabilne zasilanie
- Posiada przełącznik wykrywający przepływ wody, aby urządzenie zostało automatycznie wyłączone przy braku jej przepływu.
- Do 35% większa wydajność urządzenia UV-C dzięki wykorzystaniu odbijania promieni ultrafioletowych
- Posiada lampę ultrafioletową UV-C o wydajności o mocy 50 watów.
- Wyposażony w lampę UV-C firmy Philips
- Zintegrowany, regulowany czasomierz do ultrafioletowej lampy UV-C
- Cyfrowy wskaźnik, informujący o konieczności wymiany lampy
- Wykonana ze stali nierdzewnej obudowa o pojemności 316L
- Łatwość instalacji i konserwacji
- 2-letni okres gwarancji uwzględniający błędy fabryczne
- Posiadający uziemienie
- Złącza dopasowujące od \emptyset 63mm do \emptyset 50mm, zawarte w wyposażeniu urządzenia

Warunki bezpiecznego użytkowania

Urządzenie to, wytwarza szkodliwe promieniowanie, dlatego bezpośredni kontakt może spowodować obrażenia skóry i oczu.

Prawidłowe działanie lampy ultrafioletowej UV-C, należy sprawdzać tylko poprzez kontrolę przezroczystych komponentów urządzenia.

- Zawsze należy podłączać urządzenie do gniazdka zasilającego wyposażonego w hermetyczną obudowę
- Zawsze przestrzegać przepisów energetycznych, dotyczących podłączania urządzeń do stałych źródeł zasilania. W przypadku jakichkolwiek wątpliwości dotyczący zasilania urządzenia, należy skontaktować się z wykwalifikowanym elektrykiem lub zakładem energetycznym. Obwód zasilający urządzenie musi być musi być wyposażony w bezpiecznik odłączający go od zasilania.
- Urządzenie musi być wyłączone podczas stosowania jakichkolwiek środków uzdatniających wodę.
- Zawsze należy odłączać wtyczkę od gniazdka zasilającego przed przeprowadzaniem jakichkolwiek prac konserwacyjnych lub dokonywaniem napraw urządzenia. Nigdy nie należy podłączać / odłączać wtyczki z gniazdka zasilającego stojąc w wodzie lub mokrymi rękoma.
- Nigdy nie należy zanurzać tego urządzenia w wodzie
- Nigdy nie należy instalować urządzenia w silnie nasłonecznionym miejscu.
- Nie dopuszczać dzieci do urządzenia lub jego przewodów zasilających.
- Przewód zasilający urządzenie nie może być wymieniany. W przypadku uszkodzenia przewodu zasilającego, należy wymienić cały zespół

- elektryczny. Nigdy nie należy demontować wtyczki zasilającej, pozostawić zespół elektryczny w stanie nienaruszonym. W przypadku usunięcia wtyczki zasilającej, gwarancja udzielona na urządzenie przestanie obowiązywać.
- Po wyłączeniu urządzenia, lampa ultrafioletowa pozostaje gorąca przez około 10 minut.
 - Nie stosować urządzenia w przypadku uszkodzenia jakichkolwiek jego elementów (w szczególności szklanej rurki kwarcowej).
 - Usuwać urządzenie w przypadku ryzyka mrozu podczas zimowych miesięcy.
 - Nierdzewna, stalowa obudowa urządzenia nie jest odporna na wodę o wysokim stopniu zasolenia. W przypadku wysokiego stężenia soli w wodzie zachodzi utlenianie stali, co może spowodować uszkodzenie obudowy urządzenia. Zawsze należy instalować urządzenie tuż za filtrem.
 - Ten produkt, może być stosowany tylko zgodnie z instrukcjami zawartymi w instrukcji użytkownika.

Instalacja uziemiająca (Rysunek 1)

- 1 Przeciągnąć przewód (B) przez kołnierz montażowy (F) przed dopasowaniem syntetycznego kołnierza montażowego (F) do śruby instalacji uziemiającej (A). Umieścić kołnierz montażowy (F) około 10 cm od oczka zaciskowego (H) przewodu instalacji uziemiającej (B).
- 2 Umieścić oczko zaciskowe (H) przewodu (B) na śrubie instalacji uziemiającej (A) która jest dopasowana do obudowy.
- 3 Następnie umieścić ząbkowaną podkładkę zabezpieczającą (C), sześciokątną nakrętkę (D) i jeszcze jedną ząbkowaną podkładkę zabezpieczającą (E) na górze oczka zaciskowego (H).
- 4 Dopasować kołnierz montażowy (F) na górze połączenia, tworząc pętlę o średnicy \varnothing 5 cm.
- 5 Na koniec umieścić nakrętkę (G) do śruby instalacji uziemiającej (A).
- 6 Po umieszczeniu różnego rodzaju nakrętek na śrubie instalacji uziemiającej (A) we właściwej kolejności, należy je dokręcić kluczem płaskim lub oczkowym o numerze 8. Nie należy zbyt mocno dokręcać, bo może to spowodować pęknięcie kołnierza montażowego. (Przezroczysta nakrętka, która została dokręcona na śrubie instalacji uziemiającej (A) przed dostawą urządzenia jest zbędna, i powinna zostać usunięta).

Instalacja urządzenia (Rysunek 2)

Programator Blue Lagoon UV-C, nie może być instalowany za regulatorem czynnika Ph lub systemem zasolenia wody basenu. Idealną lokalizacją do instalacji Twojego urządzenia jest tuż za pompą i filtrem. Nigdy nie należy zanurzać urządzenia w wodzie. Instalacja musi zostać wykonana poza basenem i zawsze należy się upewnić. Upewnić się, że istnieje +/- 1 metr wolnej przestrzeni, umożliwiającej demontaż lampy (K) i rurki kwarcowej (M) w celu jej wymiany lub dokonania zabiegów konserwacyjnych.

- 1 Urządzenie musi być zawsze montowane w pionowej pozycji.
- 2 Odkręcić pierścień gwintowany (N) od obudowy (U). Wymontować lampę ultrafioletową UV-C (K) z dostarczonego opakowania (patrz opakowanie) sidle ostrożnie umieścić lampę w szklanej rurce kwarcowej (M). Ostrożnie podłączyć białą oprawę lampy (L) do lampy ultrafioletowej UV-C (K) i następnie dokręcić gwintowany pierścień (N) palcami do obudowy (U).
- 3 Oprawka przełącznika wykrywającego przepływ wody (V) musi zostać przyklejona do trójkątnej złączki rurowej (I) za pomocą gwintowanej śruby (W) skierowanej do góry (patrz rysunek 2). Istnieje również możliwość przyklejenia oprawki (V) do dołu trójkątnej złączki rurowej (I). Zamocować przełącznik przepływu wody (X), który jest sprzężony z elektronicznym selektorem (S), prostopadle do kierunku gwintowanej śruby (U) służącej do zamocowania oprawki przełącznika przepływu wody (V) (patrz rysunek 2). Urządzenia nie będzie prawidłowo działało, gdy przełącznik zostanie inaczej zamontowany niż to podano w niniejszej instrukcji. Wskazówka znajdująca się u góry przełącznika przepływu wody (X) musi zawsze być skierowana w stronę przepływającej wody. Ultrafioletowa lampa amalgamatowa urządzenia Blue Lagoon UV-C nie łączy się, gdy przełącznik przepływu wody będzie skierowany w przeciwną stronę (w kierunku przeciwnym do przepływającej wody).
- 4 Dopasować dostarczone zaciski instalacji rurowej (O) do stałej pozycji, docisnąć urządzenie do zacisków instalacji rurowej, i dokręcić trzyczęściowe złącze (I). Należy zwrócić uwagę na prawidłową pozycję okrągłych uszczelke (P), uważając na połączenia i szklaną rurkę kwarcową (patrz rysunek 2).
- 5 Dopasować urządzenie do instalacji rurowej za pomocą trójkątnej złączki (I) i przyklejanej oprawki przełącznika przepływu wody (V). Średnica zaworu wlotowego i wylotowego wynosi \varnothing 63 mm. W przypadku, gdy zastosowane połączenia rurowe są mniejsze niż 63 mm, można użyć złącze dopasowujące (\varnothing 63 x \varnothing 50 mm) (T). Istnieje możliwość zastosowania tego samego kleju do zamocowania trójkątnej złączki rurowej (I), który został użyty do zamocowania przełącznika przepływu wody (V). Po stronie złącza dopasowującego (T), znajduje się wewnętrzny gwint, umożliwiający jego dopasowanie, stosując w razie konieczności okrągłą uszczelkę, która nie znajduje się w wyposażeniu.
- 6 Włączyć pompę i sprawdzić przepływ wody i szczelność systemu.
- 7 Podłączyć wtyczkę zasilania urządzenia UV-C do gniazdka sieciowego na ścianie, wyposażonej w bolec uziemiający i bezpiecznik odłączający zasilanie. Sprawdzić, prawidłowe działanie lampy ultrafioletowej, obserwując przezroczyste komponenty urządzenia. Urządzenie jest wyłączane przez odłączenie wtyczki zasilania z gniazdka sieciowego.
- 8 Przełącznik przepływu wody powoduje automatyczne wyłączenie urządzenia, gdy nie wykryje jej przepływu. Stałe wyłączenie urządzenia uzyskuje się poprzez odłączenie wtyczki przewodu połączeniowego od gniazdka zasilającego.

Instrukcja obsługi cyfrowego czasomierza

Po włączeniu programatora Blue Lagoon UV-C, wykonuje on samodzielnie test kontrolny. Wyświetlacz automatycznie pokaże następującą informację, jedna po drugiej: 8888 (test wyświetlacza) ; r i numer wersji oprogramowania ; 50H lub 60H wskazanie częstotliwości prądu zasilania Po czym, wyświetlacz pokaże odczyt licznika.

Po włączeniu lampy ultrafioletowej UVC po raz pierwszy, lub po zastosowaniu funkcji "reset", wartość '4500' pojawi się na wyświetlaczu.

Pulsowanie co sekundę kropki przy cyfrze, pojawi się po prawej skrajnej stronie wyświetlacza; oznacza to działanie licznika.

Na wyświetlaczu, automatycznie pojawi się ustawienie fabryczne odczytu 4500 godzin, co oznacza ilość godzin działania lampy ultrafioletowej przy 100% promieniowaniu. Po 4500 godzinach, promieniowanie ulega osłabieniu, i staje się niewystarczające do uzyskania pożądanego efektu.

W przypadku, gdy lampa ultrafioletowa UV-C była już poprzednio używana, i została włączona ponownie, wyświetlacz wskaże wartość, jaką wynosiła podczas jej poprzedniego wyłączenia. W przypadku, gdy wartość odczytu czasomierza została zwiększona lub zmniejszona samodzielnie, wyświetlacz wskaże ostatni odczyt licznika jaki wynosił tuż przed jej wyłączeniem.

Ustawienia czasomierza mogą być modyfikowane według wymagań, co może być dokonane w następujący sposób:

Po przytrzymaniu w dół przełącznika (R) znajdującego się u dołu wyświetlacza przez 5 sekund, wyświetlacz wskaże "rSt", co oznacza, że zostało wybrane menu użytkownika.

Po zwolnieniu przełącznika (R), wskazanie licznika i "rSt" będzie pulsować naprzemiennie na wyświetlaczu. Ponowne krótkotrwałe naciśnięcie przełącznika, umożliwi nawigację poprzez opcje menu. Istnieją 3 dostępne opcje ustawień w menu: "rSt" "UP" i "dn".

- "rSt" oznacza (reset): Ta opcja, umożliwi ponowne ustawienie wskazań licznika do ustawień fabrycznych, tzn. na 4500 godzin. Dokonanie tego wyboru, jest potwierdzane, gdy wskazanie licznika i "rSt" na wyświetlaczu naprzemiennie pulsuje. Po przytrzymaniu w dół przełącznika (R) przez 5 sekund, po którym to wyświetlone zostanie wskazanie licznika 4500, a następnie zwolnieniu go, czasomierz rozpocznie odliczanie od wartości 4500 godzin. Ta opcja wyboru jest stosowana, gdy na przykład, chcemy dokonać wymiany lampy ultrafioletowej, lub samodzielnie zmodyfikować wskazania licznika, albo powrócić do ustawień fabrycznych.

- "UP" oznacza (w górę): Ta opcja, umożliwi zwiększanie wskazań licznika do żądanej wartości liczby godzin. Dokonanie tego wyboru, jest potwierdzane, gdy wybrane jest ustawienie użytkownika "UP"; i wskazanie licznika na wyświetlaczu naprzemiennie pulsuje. Następnie, należy nacisnąć przełącznik (R) w dół przez 5 sekund. Po 5 sekundach, wyświetlacz wskaże tylko "UP". Wtedy można zwolnić przełącznik.

Poprzez krótkotrwałe naciśnięcie przełącznika, wartość licznika może być teraz zwiększona co 500 godzin od wartości 4500, aż do uzyskania maksymalnej wartości, która wynosi 9999. Zwiększona wartość i "UP" będzie pulsować na wyświetlaczu naprzemiennie.

Po dokonaniu wyboru do żądanej wartości godzin, należy odczekać 10 sekund. Po 10 sekundach, zostanie wyświetlone wskazanie wybranej ilości godzin, i programator rozpocznie odliczanie.

W przypadku pomyłki podczas zwiększania wskazań licznika, istnieje możliwość ponownego ustawienia licznika do wartości 4500, poprzez przytrzymanie naciśniętego przełącznika w dół przez 5 sekund. Wartość licznika zostanie wtedy ustawiona ponownie na 4500, i można ustawić nową wartość.

- "dn" oznacza (w dół): Ta opcja, umożliwi zmniejszanie wskazań licznika do żądanej wartości liczby godzin. Dokonanie tego wyboru, jest potwierdzane, gdy wybrane jest ustawienie użytkownika "dn" i wskazanie licznika na wyświetlaczu naprzemiennie pulsuje. Następnie, należy nacisnąć przełącznik (R) w dół przez 5 sekund. Po 5 sekundach, wyświetlacz wskaże tylko "UP". Wtedy można zwolnić przełącznik.

Poprzez krótkotrwałe naciśnięcie przełącznika, wartość licznika może być teraz zmniejszana co 500 godzin od wartości 4500, aż do uzyskania minimalnej wartości, która wynosi 0000. Zmniejszona wartość i "dn" będzie pulsować na wyświetlaczu naprzemiennie.

Po dokonaniu wyboru do żądanej wartości godzin, należy odczekać 10 sekund. Po 10 sekundach, zostanie wyświetlone wskazanie wybranej ilości godzin, i programator rozpocznie odliczanie.

W przypadku pomyłki podczas zmniejszania wskazań licznika, istnieje możliwość ponownego ustawienia licznika do wartości 4500, poprzez przytrzymanie naciśniętego przełącznika w dół przez 5 sekund. Wartość licznika zostanie wtedy ustawiona ponownie na 4500, i można ustawić nową wartość.

Gdy lampa musi zostać wymieniona czasomierz dokona wskazania w następujący sposób:

- Od pozycji godzinny 0672; wyświetlacz będzie pulsował co sekundę; Lampa musi zostać wymieniona w przeciągu 4 tygodni.
- Od pozycji godzinny 0336; wyświetlacz będzie pulsował co pół sekundy; Lampa musi zostać wymieniona w przeciągu 2 tygodni.
- Od pozycji godzinny 0168; wyświetlacz będzie pulsował co ¼ sekundy; Lampa musi zostać wymieniona w przeciągu 1 tygodnia.
- W pozycji godzinny 0000; cyfry będą stale pulsowały, a licznik nie będzie kontynuował odliczania. Lampa musi zostać jak najszybciej wymieniona.

Demontaż / Konserwacja

Zawsze należy wyłączać napięcie zasilania podczas dokonywania konserwacji/demontażu urządzenia.

Urządzenie musi być czyszczone dwa razy w roku. W przypadku wzrostu populacji alg i/lub osadzenia się kamienia, szklana rurka kwarcowa (M), w której umieszczona jest lampa ultrafioletowa musi zostać wyczyszczona. Lampa ultrafioletowa musi być wymieniona po 4.500 godzinach jej działania. Wnętrze urządzenia wykonane ze stali nierdzewnej, może być czyszczone miękką szcztotką.

1 Odkręcić trzyczęściowe złącza (I) i spuścić wodę z urządzenia.

2 Odkręcić nakrętkę śruby (N) i odłączyć lampę ultrafioletową (K) od oprawki lampy (L). Wyjąć lampę ze szklanej rurki kwarcowej, i w razie konieczności wymienić lampę (K). Wszystkie komponenty są bardzo kruche, dlatego należy zachowywać szczególną ostrożność.

3 Ostrożnie wyjąć szklaną rurkę kwarcową (M) używając dużego, płaskiego wkrętaka (patrz rysunek 3). Nie stosować nadmiernej siły!

- 4 Czyścić szklaną rurkę kwarcową za pomocą odpowiedniego środka. Zawsze należy używać miękkiej ściereczki do czyszczenia szkła, w celu uniknięcia zadrapań.
- 5 Należy zwracać uwagę w celu prawidłowego umieszczenia 3 okrągłych uszczelke (P) podczas wymiany szklanej rurki kwarcowej z obudowy, i ostrożnie wprowadzać jej koniec do zaworu wlotowego(Q) (patrz rysunek 4). Nie stosować nadmiernej siły!
- 6 Ostrożnie wymienić lampę ultrafioletową w szklanej rurce kwarcowej, i podłączyć lampę (K) do jej oprawki (L). Przykręcić nakrętkę (N) ponownie do obudowy.
- 7 Zespół elektryczny urządzenia jest umieszczony w panelu wyświetlacza (S) znajdujący się w na urządzeniu. Panel wyświetlacza jest przyklejony, dlatego nie może być otwierany. W przypadku wymiany zespołu elektrycznego lub wyświetlacza, musi zostać odkręcony cały panel, a przewody zasilające odłączone od urządzenia (patrz rysunek 1). Odkręcić górną śrubę (M) i ostrożnie zdjąć oprawkę z lampy ultrafioletowej. Jakiegokolwiek luźne elementy, np. instalacji uziemiającej muszą być zatrzymane, ponieważ nie są one dostarczane z nowa obudową, czy zespołem elektrycznym. W przypadku jakichkolwiek wątpliwości, dotyczących połączeń, należy zwrócić się do wykwalifikowanego elektryka.
- 8 W przypadku, gdy konieczna jest wymiana obudowy, instalacji uziemiającej (J) i zespołu elektrycznego z wyświetlaczem (S) trzeba najpierw odłączyć go od obudowy (U) (patrz rysunek 1 & 2). Odkręcić zespół elektryczny z wyświetlaczem (S) i oprawkę lampy ultrafioletowej od obudowy. Należy się upewnić, aby ostrożnie przechować różnego rodzaju elementy instalacji uziemiającej, ponieważ nie jest ona dostarczana z nowa obudową. Wyjąć lampę ultrafioletową (K) i szklaną rurkę kwarcową (M) z obudowy, w celu zabezpieczenia ich przed rozbiciem podczas transportu. W przypadku jakichkolwiek wątpliwości dotyczących połączeń, należy zwrócić się do wykwalifikowanego elektryka.
- 9 Odłączyć przełącznik przepływu wody od przyklejonej oprawki. Odkręcić trójkątną złączkę rurową i uwolnić obudowę z zacisków instalacji rurowej.

Specyfikacje techniczne

• Lampa Philips TUV T5	130 Wat
• Moc wyjściowa UV-C (W)	50 Wat
• UV-C po 4,500 godzinach(%)	85%
• Pojemność basenu (l)	150.000 l
• Maks. obieg wody	30.000 l/h
• Maks. ciśnienie	3 barów
• Rozmiar złączy	Ø63 mm
• Długość urządzenia	100 cm

Rodzaje systemów UV-C

Numer katalogowy: B210006 Blue Lagoon UV-C Timer 150,000 l / 130 Wat (230V; 50/60Hz)

Wymiana lamp ultrafioletowych

Numer katalogowy: Typ lampy E800904 Philips TUV 130 Wat 4P-SE Amalgam (130 Wat)

Warunki gwarancji

Dokonałeś doskonałego wyboru wybierając ten produkt. Urządzenie zostało zaprojektowane i zmontowane zgodnie z wymogami przepisów bezpieczeństwa dotyczących urządzeń użytkowych. Z powodu wymaganej jakości przy tego typu urządzeniach, zostało ono wykonane z wysokiej jakości materiałów, spełniające warunki gwarancji pokrywające uszkodzenia materiału i te wynikające w winy producenta na okres 2 lat, licząc od daty zakupu urządzenia. Udzielana gwarancja nie obejmuje lampy ultrafioletowej i szklanej rurki kwarcowej. Roszczenia gwarancyjne będą brane pod uwagę tylko w przypadku, gdy produkt będzie posiadał dowód jego zakupu, i zostanie oplaconą przesyłka zwrotna. Wszelkie naprawy obejmujące warunki gwarancji mogą być dokonywane wyłącznie przez dostawcę tego urządzenia. Roszczenia gwarancyjne wynikające z błędnej instalacji lub nieprawidłowego użytkowania urządzenia, nie będą brane pod uwagę. Uszkodzenia wynikające z wadliwej konserwacji urządzenia, również będą wyłączone z warunków gwarancji. Dostawca także nie ponosi jakiegokolwiek odpowiedzialności z jakiegokolwiek uszkodzenia wynikające z nieprawidłowego użytkowania niniejszego urządzenia. Dostawca również nie ponosi odpowiedzialności za jakiegokolwiek poważne fizyczne urządzenia urządzenia. Skargi dotyczące uszkodzeń powstałych podczas transportu nie będą brane pod uwagę w przypadku, gdy zostaną one zgłoszone i potwierdzone w momencie dostawy przez przewoźnika lub urząd pocztowy. W takich przypadkach roszczenie może być złożone tylko w stosunku do rzeczonoego przewoźnika lub urzędu pocztowego.

Prosím, přečtěte si pozorně tyto pokyny pro použití před instalací tohoto zařízení.

Použití

V zařízení Blue Lagoon UV-C Timer je speciální UV lampou od firmy Philips generováno UV-C záření o vlnové délce 253,7 nm, které spolehlivě hubí bakterie (včetně bakterie Legionella). Blue Lagoon UV-C Timer efektivně a ekologicky šetrně zajistí, že voda ve vašem bazénu bude čistá, svěží a průzračná. Voda je čerpadlem hnána přes UV-C zařízení. UV-C záření ničí bakterie, viry a jiné jednoduché organismy a zabráňuje jim v množení. Amalgamová lampa není ovlivňována změnami teploty vody a má konstantní výkon UV-C 50 Watt. Amalgam UV-C je nejsilnější zdroj UV-C záření, jaký je na trhu UV-C zářičů k dispozici. Blue Lagoon UV-C Timer je opatřen vestavěným vysokofrekvenčním elektronicky řízeným stabilizačním odporem, který pohlcuje kolísání proudu a ochraňuje tím lampu. Navíc tento přístroj obsahuje také integrovaný časoměrný čítač, který přesně zaznamenává počet provozních hodin. Díky tomu jste přesně informováni o tom, kdy musí být lampa vyměněna. Další výhodou je, že vnitřní části z nerezavějící oceli odrážejí paprsky UV-C záření a zvyšují tak účinnost až o 35 %. Díky přístroji Blue Lagoon UV-C Timer bude voda ve vašem bazénu účinně a bezpečně desinfikovaná a její kvalita zůstane skvělá. Zařízení je vybaveno univerzálními konektory. Lze je připojit pomocí trubky z PVC (Ø 50 a 63 mm).

Výhody ošetřování vody pomocí UV-C záření:

- Zaručuje svěží, čistou a průzračnou vodu
- Účinně a bezpečně desinfikuje vodu
- Snížení obsahu chloru díky UV-C záření
- Chrání váš bazén před bakteriemi
- Udržuje pod kontrolou tvorbu plísni, bakterií a řas
- Může omezit použití chloru a jiných chemikálií až o 80 %
- Eliminuje zápach chloru a podráždění pokožky a očí (červené oči)
- Ekologicky šetrnější, než tradiční metody

Výhody přístroje Blue Lagoon UV-C Timer:

- Vestavěný elektronický vstupní vysokofrekvenční zesilovač (preselektor), který zajišťuje plynulý přívod energie.
- Má průtokový spínač, který stroj vypne, jakmile není detekován žádný průtok vody.
- Až o 35 % vyšší hladina UV-C záření díky reflexi paprsků
- Výkon UV-C 50 Watt.
- Vybaven UV-C lampou Philips
- Integrované nastavitelné časoměrné zařízení pro UV-C lampu
- Digitální znamení pro dobu výměny lampy
- Plášť z nerezavějící oceli 316L
- Snadná instalace a údržba
- Dvouletá záruka na závady z výroby
- Uzemnění
- Redukce Ø 63mm až Ø 50mm součástí dodávky.

Bezpečnost

Toto zařízení vydává škodlivé záření. Přímým kontaktem by mohlo dojít k poškození očí a kůže. Činnost UV-C lampy kontrolujte pouze přes průhledné části jednotky.

- Zapojte zařízení vždy do zásuvky s ochranným krytem.
- Dodržujte vždy elektroinstalační předpisy týkající se trvalého připojení k elektrické síti. V případě jakýchkoli pochybností ohledně zapojení se poraďte s odborníkem na instalace nebo s elektroinstalační společností. Při práci vždy používejte proudový chránič.
- Při používání prostředků na úpravu vody nebo léčebných prostředků musí být zařízení vypnuto.
- Před prováděním údržby nebo opravy vždy odpojte zařízení od sítě. Nikdy nezapojujte a nevykopujte síťový kabel, pokud stojíte ve vodě nebo pokud máte mokré ruce.
- Nikdy neponožte zařízení do vody.
- Nikdy neinstalujte jednotku na plochu vystavenou přímému slunečnímu záření.
- Držte děti z dosahu tohoto zařízení a kabelu.
- Kabel zařízení není vyměnitelný. V případě poškození síťového kabelu musí být vyměněna celá elektrická jednotka. Nikdy neodstraňujte zástrčku; zachovejte elektrickou jednotku neporušenou. Na elektrickou jednotku s odstraněnou zástrčkou se nevztahuje záruka.
- Lampa zůstává horká ještě přibližně 10 minut po vypnutí zařízení.

- Nepoužívejte zařízení, pokud je některá jeho součást poškozená (zejména křemenná trubka).
- V případě rizika zamrznutí v zimních měsících zařízení demontujte.
- Plášť jednotky z nerezové oceli není určen pro solné vodní lázně s vysokým obsahem soli. Je-li obsah soli příliš vysoký, ocel koroduje a poškozuje plášť. Zařízení vždy instalujte bezprostředně za filtr.
- Tento výrobek může být používán výhradně v souladu s postupy popsány v tomto návodu k použití.

Instalace zemnění (náčrtek 1)

- 1 Protáhněte kabel (B) úchytem odlehčujícím napětí kabelu (F) předtím, než úchyt (F) upevníte na zástrčku zemnění (A). Nastavte úchyt odlehčující napětí kabelu (F) do vzdálenosti asi 10 cm od oka (H) kabelu zemnění (B).
- 2 Umístěte oko (H) kabelu (B) na zástrčku zemnění (A), která je upevněná na plášti.
- 3 Poté umístěte ozubenou podložku (C), šestiúhelníkovou matici (D) a další ozubenou podložku (E) na vrch oka (H).
- 4 Umístěte úchyt (F) nahoru a vytvořte očko o průměru asi 5 cm.
- 5 Nakonec umístěte uzavírací matku (G) na zástrčku zemnění (A).
- 6 V momentě, kdy jsou všechny matky umístěny ve správném pořadí na zástrčce zemnění (A), mohou být utaženy stranovým nebo očkovým klíčem číslo 8. Neutahujte příliš silně, jinak hrozí nebezpečí rozlomení úchyty. (Průhledná matka nasazená na zástrčce zemnění (A) při dodání nemá další využití a může se vyhodit).

Instalace zařízení (náčrtek 2)

Blue Lagoon UV-C Timer nesmí být nikdy zapojen v rámci instalace vašeho bazénu za regulátor pH nebo systém elektrolyzy soli. Ideální je nainstalovat toto zařízení za čerpadlo a filtr. Nikdy neponořujte toto zařízení do vody. Jeho instalace musí být vždy provedena mimo bazén. Nechte volný prostor +/- 1 metr, aby bylo možné sejmut lampu (K) / křemennou trubici (M) pro účely výměny nebo údržby.

- 1 Zařízení musí být instalováno ve vodorovné poloze a pod zařízením musí být volný prostor o výšce 30 cm k provádění údržby.
- 2 Odšroubujte šroubovací kroužek (N) z pláště (U). Vyjměte UV-C lampu (K) z dodaného obalu (viz balení) a opatrně vsuňte lampu do křemenné trubky (M). Opatrně připojte bílý držák lampy (L) k UV-C lampě (K) a následně utáhněte šroubovací kroužek (N) rukou k plášti (U).
- 3 Lepené pouzdro na průtokový spínač (V) musí být přilepeno k třídičné spojce (I) tak, aby šroubový závit (W) směřoval nahoru (viz náčrtek 2). Lepené pouzdro (V) můžete přilepit na spodní třídičnou spojku (I). Nasadte průtokový spínač (X), který je připevněn k elektronickému preselektoru (S), kolmo ke šroubovému závitu (U) lepeného pouzdra (V) (viz náčrtek 2). Zařízení nebude fungovat, pokud průtokový spínač bude namontován jinak. Šípka nahore na průtokovém spínači (X) musí vždy mířit ve směru průtoku vody. Blue Lagoon UV-C Amalgam se nezapne, pokud průtokový spínač bude mířit opačným směrem (proti průtoku vody).
- 4 Uchyťte napravo dodané trubkové svorky (O), zatlačte do nich jednotku a utáhněte trojdičnou spojku (I). Věnujte přitom pozornost správné poloze těsnících kroužků (P) jak vůči spojkám tak vůči křemenné trubce (viz náčrtek 2).
- 5 Připojte zařízení k obvodu pomocí třídičné spojky (I) a lepeného pouzdra na průtokový spínač (V). Vstup i výstup trojdičných spojek má průměr 63 mm. Pokud máte trubky o průměru menším než 63 mm, můžete použít redukci (Ø 63 x Ø 50 mm) (T). Na třídičnou spojku (I) a lepené pouzdro na průtokový spínač (V) můžete aplikovat lepidlo. Na straně redukce (T) je vnitřní závit, do nějž je možné připojit s pomocí těsnění (není součástí dodávky) redukci, pokud je to nezbytné.
- 6 Zapněte čerpadlo a zkontrolujte těsnost celého systému.
- 7 Zapojte zástrčku zařízení UV-C do nástěnné zásuvky s uzemněním opatřené jištěním proti zbytkovému proudu. Pohledem přes průhledné součásti jednotky zkontrolujte, zda lampa pracuje. Jednotka se vypíná vytažením zástrčky ze sítě.
- 8 Pokud zařízením nebude protékat žádná voda, průtokový spínač je automaticky vypne. Zařízení můžete natrvalo vypnout vytažením zástrčky ze zásuvky.

Návod na použití digitálního čítače času

Po zapnutí přístroje Blue Lagoon UV-C Timer spustí program samokontrolní test. Displej automaticky zobrazí jedno po druhém následující: 8888 (display test) ; r a číslo verze softwaru ; 50H nebo 60H – indikace frekvence síťového připojení
Následně se na displeji ukáže údaj o provozním čase

Pokud je UVC lampa zapnuta poprvé nebo po použití funkce „reset“, objeví se na displeji hodnota '4500'. Tečka vedle čísla na pravém konci displeje bude blikat ve vteřinovém intervalu. To znamená, že čítač běží.

Displej je nastaven z výroby automaticky na 4 500 hodin. UV-C lampa pracuje na 100% výkonu záření až po dobu 4 500 hodin. Po 4 500 hodinách bude záření slábnout a může vykazovat nedostatečné hodnoty pro dosažení požadovaného účinku.

Pokud již byla UV-C lampa používána a je znovu zapnuta, objeví se na displeji časový údaj, který byl zaznamenán před jejím předchozím vypnutím. Pokud byl dříve údaj čítače upravován, ukáže displej poslední údaj uvedený předtím, než bylo zařízení naposledy vypnuto.

Nastavení čítače času může být upravováno. Úprava nastavení se provádí následovně:

Pokud stisknete spínač (R) pod displejem na 5 vteřin, ukáže se na displeji „rSt“. To značí, že byla vybrána uživatelská nabídka (user menu).

Jakmile spínač (R) pustíte, časový údaj a „rSt“ začnou na displeji střídavě blikat. Krátkým stiskem téhož tlačítka je nyní možné postupovat v nabídce možností. Na výběr jsou v menu tři možnosti: „rSt“ „UP“ a „dn“.

- volba „rSt“ (reset): Tato volba umožňuje znovu nastavit výrobní nastavení hodnoty časovače na 4 500 hodin.

Tato volba je potvrzena, pokud hodnota časovače a „rSt“ střídavě blikají. Pokud podržíte tlačítko spínače (R) po dobu 5 vteřin a objeví se hodnota 4500 a poté tlačítko pustíte, čítač začne odpočítávat z hodnoty 4 500 hodin. Tato volba se používá např. při výměně lampy nebo pokud chcete obnovit výchozí nastavení poté, co jste je změnili.

- volba „UP“ (up): Tato volba umožňuje zvýšit výchozí časovou hodnotu na požadovaný počet hodin.

Tato volba je potvrzena, pokud zvolené uživatelské nastavení „UP“ a hodnota časovače střídavě blikají. Následně stisknete tlačítko (R) po dobu 5 vteřin. Po 5 vteřinách se na displeji zobrazí pouze „UP“. Můžete pustit tlačítko. Krátkými stisky tlačítka může být nyní hodnota zvýšena po 500 z hodnoty 4 500 až na maximální hodnotu 9999. Údaj o zvýšené hodnotě a „UP“ budou na displeji střídavě blikat. Po zvolení požadovaného počtu hodin vyčkejte 10 vteřin. Po 10 vteřinách se zobrazí zvolená hodnota a čítač začne odpočítávat. Pokud uděláte při zvyšování hodnoty chybu, je možno resetovat čítač na hodnotu 4500 stisknutím tlačítka spínače po dobu 5 vteřin. Čítač poté bude znovu nastaven na hodnotu 4500 a může být znovu nastavena jiná hodnota.

- volba „dn“ (down): Tato volba umožňuje snížit výchozí časovou hodnotu na požadovaný počet hodin.

Tato volba je potvrzena, pokud zvolené uživatelské nastavení „dn“ a hodnota časovače střídavě blikají. Následně stisknete tlačítko (R) po dobu 5 vteřin. Po 5 vteřinách se na displeji zobrazí pouze „dn“. Můžete pustit tlačítko.

Krátkými stisky tlačítka může být nyní hodnota snížena po 500 z hodnoty 4 500 až na minimální hodnotu 0000. Údaj o snížené hodnotě a „dn“ budou na displeji střídavě blikat. Po zvolení požadovaného počtu hodin vyčkejte 10 vteřin. Po 10 vteřinách se zobrazí zvolená hodnota a čítač začne odpočítávat.

Pokud uděláte při zvyšování hodnoty chybu, je možno resetovat čítač na hodnotu 4500 stisknutím tlačítka spínače po dobu 5 vteřin. Čítač poté bude znovu nastaven na hodnotu 4500 a může být znovu nastavena jiná hodnota.

Čítač času bude oznamovat nutnost výměny lampy následujícím způsobem:

- Od hodnoty 0672: displej bude blikat v intervalu jedné vteřiny. Lampu je třeba vyměnit do čtyř týdnů.
- Od hodnoty 0336: displej bude blikat v intervalu půl vteřiny. Lampu je třeba vyměnit do dvou týdnů.
- Od hodnoty 0168: displej bude blikat v intervalu ¼ vteřiny. Lampu je třeba vyměnit do jednoho týdne.
- Na hodnotě 0000: číslice stále blikají a čítač nepokračuje v odpočítávání. Lampu je nutno vyměnit.

Demontáž / Údržba

Při demontáži / údržbě zařízení vždy vypojte ze sítě.

Zařízení musí být vyčištěno dvakrát ročně. V případě zvýšeného výskytu řas a/nebo usazenin musí být čištěna křemenná trubka (M), v níž je umístěna lampa. Lampa musí být vyměněna nejpozději po 4.500 provozních hodinách. Vnitřek z nerezavějící oceli může být čištěn jemným kartáčkem.

- 1 Rozšroubujte trojdišné spojky (I) a vylijte vodu ze zařízení.
- 2 Sejměte šroubovací víčko (N) a vyjměte lampu (K) z držáku lampy (L). Vyjměte lampu z křemenné trubky a, pokud je to nutné, lampu vyměňte (K). Vzhledem ke křehlosti těchto součástí je nezbytná mimořádná opatrnost.
- 3 Opatrně vyjměte křemennou trubku (M) za pomoci velkého plochého šroubováku (viz náčrt 3). Nikdy nepoužívejte sílu!
- 4 Vhodným prostředkem vyčistěte křemennou trubku. Abyste předešli poškrábání, používejte vždy k čištění skla měkkou látku.
- 5 Při manipulaci s křemennou trubicou uvnitř pláště věnujte pozornost správné pozici všech třech těsnících kroužků (P) a opatrně zaveďte konec křemenné trubky do vstupního otvoru (Q) (viz náčrt 4). Nikdy nepoužívejte sílu!
- 6 Opatrně vyměňte lampu v křemenné trubce a připojte lampu (K) k držáku lampy (L). Opět našroubujte šroubovací víčko (N) na plášť.
- 7 Elektrická jednotka je umístěna ve schránce s displejem (S) umístěné na zařízení. Tato schránka je lepená a není rozebiratelná. V případě výměny elektrické jednotky nebo displeje musí být celá schránka odšroubována a odpojena od zařízení (viz náčrt 1). Sejměte šroubovací víčko (N) a opatrně sejměte držák z lampy. Všechny uvolněné části, tj. zemnění atd. musejí být opatrně zachovány, protože nejsou součástí dodávky nového pláště nebo elektrické jednotky. V případě pochybností ohledně připojení se poraďte s odborníkem na instalaci.
- 8 Pokud je třeba vyměnit plášť, musí být nejprve odpojeno zemnění (J) a elektrická jednotka s displejem (S) od pláště (U) (viz náčrt 1 a 2). Odšroubujte elektrickou jednotku s displejem (S) a držák lampy od pláště. Zajistěte opatrně zachování různých uvolněných částí zemnění, protože nejsou součástí dodávky nového pláště. Vyjměte lampu (K) a křemennou trubku (M) z pláště přístroje, aby se předešlo rozbití během přepravy. V případě pochybností ohledně připojení se poraďte s odborníkem na instalaci.
- 9 Odpojte průtokový spínač od lepeného pouzdra. Vyšroubujte třídišné spojky a vyjměte plášť z trubkových svorek.

Technické údaje

• Lampa Philips TUV T5	130 Watt
• Výkon UV-C (W)	50 Watt
• UV-C (%) po 4,500 hodinách	85%
• Objem bazénu (l)	150 000 l
• Max. průtok	30 000 l/h
• Max. tlak	3 bar
• Rozměr připojení	Ø63 mm
• Délka přístroje	100 cm

Typy UV-C systémů

Číslo výrobku: B210006 Blue Lagoon UV-C Timer 150,000 l / 130 Watt (230V; 50/60Hz)

Náhradní lampy

Číslo výrobku: E800904 Lamp typ TUV 130 Watt 4P-SE Amalgam (130 Watt)

Záruční podmínky

Nákupem tohoto výrobku jste učinili skvělé rozhodnutí. Zařízení bylo smontováno pečlivě a v souladu se všemi příslušnými bezpečnostními předpisy. Z důvodů kvality dodavatel použil pouze vysoce kvalitní materiály a poskytuje záruku vztahující se na materiál a výrobní vady dva roky od data zakoupení. Na lampu a křemennou trubku se tato záruka nevztahuje. Záruční nároky mohou být vyřízeny jen pokud je výrobek zaslán zpět na náklady majitele a s platným dokladem o nákupu. Záruční opravy mohou být uskutečněny výhradně dodavatelem.

Na záruční nároky způsobené nesprávnou instalací nebo použitím nebude brán zřetel. Záruka se nevztahuje ani na defekty způsobené nedostatečnou údržbou. Dodavatel nemůže být v žádném případě činěn zodpovědným za případná poškození způsobená nesprávným používáním výrobku. Dodavatel nebude odpovídat za žádná následná poškození způsobená selháním jednotky. Stížnosti ohledně poškození při přepravě budou brány v potaz jen pokud bude poškození ověřeno nebo potvrzeno při dodání přepravcem nebo poštovní správou. Stížnost vůči přepravci nebo poštovní správě může být vznesena jen v tomto případě.

A készülék telepítése előtt kérjük, gondosan olvassa el a jelen kezelési utasítást.

Üzemeltetés

A Blue Lagoon UV-C Timer készülékben a speciális Philips UV izzó olyan 253,7 nm hullámhosszúságú UV-C sugárzást állít elő, amely megöli a baktériumokat (köztük a legionella baktériumokat). A Blue Lagoon UV-C Timer hatékony és környezetbarát módon gondoskodik arról, hogy az uszodavíz mindig kristálytisza és friss legyen. Szivattyú segítségével áramlik át a víz az UV-C készüléken. Az UV-C sugárzás megöli a baktériumokat, vírusokat és egyéb alsórendű élőlényeket, továbbá megakadályozza azok elszaporodását. Az amalgám lámpát nem befolyásolják a víz hőmérsékletváltozásai; állandó, erőteljes 50 wattos UV-C kimenőteljesítményt biztosít. Az amalgám UV-C a legerősebb UV-C fény, amely elérhető a piacon. A Blue Lagoon UV-C Timer beépített nagyfrekvenciás elektronikus előtéttel rendelkezik, amely kiegyenlíti az áramingadozásokat, így védi az izzót. Ezen túlmenően a készülék tartalmaz egy időmérőt, amely pontosan felügyeli az üzemórák számát. Így pontosan tudhatja, hogy mikor kell kicserélni az izzót. Ezen kívül a rozsdamentes acél belső biztosítja az UV-C sugarak visszaverődését, így a hatékonyság akár 35%-kal is megnő. A Blue Lagoon UV-C Timer készüléknek köszönhetően a medencéje hatékonyan és biztonságosan fertőtleníthető, és a vízminőség mindig kiváló marad. Univerzális csatlakozókkal van ellátva. Az eszköz PVC csővel (Ø 50 és 63 mm) csatlakoztatható.

Az UV-C kezelés előnyei:

- Biztosítja a friss, tiszta és átlátszó vizet
- Hatékonyan és biztonságosan fertőtleníti a vizet
- Az UV-C fény lebontja a kötött klórt
- Védi a medencéjét a kórokozóktól
- Ellenőrzés alatt tartja a gombák, baktériumok és algák képződését
- Akár 80%-kal is csökkentheti a klór és egyéb vegyszerek használatát
- Megakadályozza a klórszag kialakulását, valamint a bőr és szem irritációját (vörös szemek)
- A hagyományos módszerekhez képest sokkal inkább kíméli a környezetet

A Blue Lagoon UV-C Timer előnyei:

- Beépített elektronikus előtét az egyenes áramellátás érdekében
- Rendelkezik egy áramláskapcsolóval, amely azonnal kikapcsolja a gépet, ha nem érzelke vízáramlást.
- A visszaverődés segítségével akár 35%-kal jobb UV-C hasznosítás
- 50 watt UV-C kimenőteljesítmény.
- A beépített Philips UV-C
- Integrált beállítható időmérő az UV-C izzó számára
- Az izzócseré digitális kijelzése
- 316L rozsdamentes acél ház
- Könnyű telepítés és karbantartás
- 2 éves garancia a gyártási hibákra
- Földelt
- Ø 63 mm - Ø 50 mm adapterekkel szállítjuk

Biztonság

A készülék veszélyes sugárzást állít elő. A közvetlen besugárzás veszélyes lehet a szemre és a bőrre. Az UV-C izzó működését kizárólag a készülék áttetsző ablakán keresztül szabad ellenőrizni.

- Csakis védőfedéllel ellátott konnektorhoz csatlakoztassa a készüléket
- Mindig a villamos energiaszolgáltató előírásainak megfelelően járjon el, ha állandó csatlakozást hoz létre a villamos hálózathoz. Ha bármilyen kételye támadna a csatlakoztatással kapcsolatban, forduljon képzett szakemberhez vagy a villamos energiaszolgáltatóhoz. Mindig alkalmazza maradékáram által működtetett megszakítót.
- A készüléket ki kell kapcsolni, ha vízkezelő vegyszereket vagy vegyületeket alkalmaz.
- Mindig húzza ki a hálózati dugót a konnektorból, mielőtt bármilyen karbantartási vagy javítási munkát végezne a készüléken. Sohasem dugja be vagy húzza ki a dugót a konnektorból, ha vízben áll, vagy ha nedves a keze.
- Tilos a készüléket vízbe mártani.
- Ne szerelje fel a készüléket olyan helyre, ahol közvetlen napsütésnek van kitéve.
- Tartsa távol a gyermekeket a készüléktől és a kábeltől.

- A készülék hálózati kábele nem cserélhető. A teljes elektromos egységet ki kell cserélni, ha bármilyen módon megsérül a hálózati kábel. Ne szerelje le a dugót, hagyja érintetlenül az elektromos egységet. Ha az elektromos egységről leszereli a dugót, a készülék elveszti garanciáját.
- A készülék kikapcsolása után az izzó még körülbelül 10 percig forró marad.
- Ne használja a készüléket, ha bármelyik alkatrésze sérült (különösen a kvarcüveg).
- Fagyveszély esetén szerelje le a készüléket a téli hónapokban.
- A készülék rozsdamentes acél háza nem használható magas sótartalmú sós vizes fürdőkhöz. Ha a sótartalom túl magas, az acél oxidálódik, és a ház rozsdosodik. Mindig közvetlenül a szűrő mögé telepítse a készüléket.
- A készülék csak a jelen használati utasításban megadott irányelvek szerint használható.

Földelés kialakítása (1. sz. rajz)

- 1 Mielőtt a műanyag tehermentesítőt (F) felszerelné a földelő csavarra (A), húzza át a kábelt (B) a tehermentesítőn (F). Helyezze a tehermentesítőt (F) körülbelül 10 cm-re a földelőkábel (B) fülétől (H).
- 2 Helyezze a kábel (B) fülét (H) a házra szerelt földelő csavarra (A).
- 3 Ezután helyezze fel a recézett biztosító alátétet (C), a hatlapú csavaranyát és egy másik recézett biztosító alátétet (E) a fülre (H).
- 4 Szerelje a tehermentesítőt (F) legfelülre, Ø 5 cm-es hurokkal.
- 5 Végül helyezze fel a biztosító anyát (G) a földelő csavarra (A).
- 6 Miután megfelelő sorrendben felhelyezte a különböző anyákat a földelő csavarra (A), meghúzhatja azokat 8-as villáskulccsal vagy csillagkulccsal. Ne húzza meg túlzottan az anyákat, mivel eltörheti a tehermentesítőt. (A szállításkor a földelő csavaron (A) lévő átlátszó anyára a továbbiakban már nem lesz szükség, eldobható).

A készülék felszerelése (2. sz. rajz)

A Blue Lagoon UV-C Timer készüléket tilos a Ph szabályozó vagy a sós elektrolízises rendszer mögé beszerelni az úszómedence gépészetbe. A készülék ideális helye a szivattyú és a szűrő mögött található. Tilos a készüléket vízbe mártani. A készüléket mindig a medencén kívül kell elhelyezni. Hagyjon +/- 1 méternyi szabad helyet az izzó (K) / kvarcüveg (M) kisereléséhez csere vagy karbantartás céljából.

- 1 A készüléket mindig függőleges helyzetben kell felszerelni.
- 2 Csavarozza le a menetes gyűrűt (N) a házról (U). Vegye ki az UV-C izzót (K) a dobozból (lásd csomagolás), és óvatosan csúsztassa be az izzót a kvarcüvegbe (M). Óvatosan csatlakoztassa a fehér izzótartót (L) az UV-C izzóhoz (K), majd csavarozza vissza a házra (U), és kézzel húzza meg a menetes gyűrűt (N).
- 3 Az áramláskapcsoló ragasztható csatlakozóját (V) rá kell ragasztani a háromrészes csatlakozóra (I) úgy, hogy a csavarmenet (W) felfelé nézzen (lásd 2. ábra). A ragasztható csatlakozóját (V) rá lehet ragasztani az alsó háromrészes csatlakozóra (I). A ragasztható aljzat (V) csavarmenetére (U) merőlegesen szerelje fel az előtét-elektronikára (S) csatlakoztatott áramláskapcsolót (X) (lásd a 2. ábrát). Ha az áramláskapcsoló felszerelése ettől eltérően történik, az eszköz nem fog működni. Az áramláskapcsoló (X) tetején lévő nyílknak mindig a folyás irányába kell néznie. A Blue Lagoon UV-C Amalgam nem kapcsol be, ha az áramláskapcsoló az ellenkező irányba (a folyással szembe) néz.
- 4 Szerelje fel a mellékelt csőbilincseket (O) szilárd helyekre, nyomja be az egységet a csőbilincsbe, és húzza meg a három részes csatlakozót (I). Figyeljen a tömitőgyűrűk (P) helyes pozíciójára, mind a csatlakozások, mind a kvarcüveg tekintetében (lásd a 2. sz. rajzot).
- 5 Szerelje be az egységet a körbe a háromrészes csatlakozóval (I) és az áramláskapcsoló ragasztható aljzatával (V). A három részes csatlakozó bemenete és kimenete Ø 63 mm-es. Ha a cső kisebb 63 mm-nél, akkor használhatja az adaptert (Ø 63 x Ø 50 mm) (T). A ragasztóanyagot a háromrészes csatlakozóra (I) és az áramláskapcsoló ragasztható aljzatra (V) lehet felhordani. Az adapter egyik oldalán (T) csavarmenet található a belső felén, amely lehetővé teszi egy adapter felszerelését tömitőgyűrűvel (nem szállítjuk), ha szükséges.
- 6 Kapcsolja be a szivattyút, és ellenőrizze a víz áramlását, illetve azt, hogy nem szivárog-e a rendszer.
- 7 Dugja be az UV-C készülék hálózati dugóját egy földelt és maradékáram megszakítóval ellátott fali konnektorba. A készülék áttetsző ablakán benézve ellenőrizze, hogy működik-e az izzó. A készüléket a hálózati dugó konnektorból való kihúzásával lehet kikapcsolni.
- 8 Az áramláskapcsoló automatikusan lekapcsolja az eszközt, ha nem folyik át rajta víz. Tartósan is kikapcsolhatja a készüléket a dugó csatlakozójából való kihúzásával.

A digitális időmérő használati utasítása

A Blue Lagoon UV-C Timer készülék bekapcsolás után azonnal ön-tesztet hajt végre. A kijelzőn egymás után az alábbiak jelennek meg: 8888 (kijelző teszt) ; r és a szoftver verziószáma ; 50H vagy 60H, jelezve a hálózati frekvenciát
Ezután a kijelzőn megjelenik a mért érték.

Az UVC izzó első bekapcsolásakor, vagy a „reset” (visszaállítás) funkció használata után '4500' jelenik meg a kijelzőn. A szám után a kijelző jobb szélén megjelenő pont másodpercenként villan egyet; ez jelzi, hogy a számláló működik.

A kijelző automatikusan a 4500 órás gyári alapbeállítás szerinti értéket mutatja. Az UV-C izzó 100%-os sugárzással max. 4500 üzemóráiig üzemel. 4500 óra után a sugárzás gyengül, és elégtelenné válhat a kívánt eredmény eléréséhez.

Ha az UV-C izzót már használták előzőleg, és ismét bekapcsolják, a kijelző azt az értéket mutatja, amit a korábbi kikapcsoláskor mutatott. Ha Ön saját maga megnöveli vagy lecsökkenti az időmérő értékét, a kijelző a kikapcsolás előtti utolsó állást mutatja.

Ha akarja, megváltoztathatja az időmérő beállításait. Ezt az alábbiak szerint teheti meg:

Tartsa lenyomva a kijelző alatti gombot **(R)** 5 másodpercig, a kijelzőn az „rSt” felirat jelenik meg, ami jelzi, hogy a felhasználói menüt választotta ki. Amint elengedi a gombot **(R)**, a mért érték és az „rSt” felirat felváltva jelenik meg a kijelzőn. Röviden nyomja meg ismét a gombot, így végiglépkedhet a menüpontokon. A menü 3 beállítási lehetőséget tartalmaz: **”rSt”** **”UP”** és **”dn”**.

- **”rSt”** jelentése (reset, azaz visszaállítás): Ennek a menüpontnak a segítségével a gyári 4500 órás alaphelyzetbe állíthatja a kijelzést.

A készülék a menüpont kiválasztását úgy jelzi, hogy a mért érték és az „rSt” felirat felváltva villog. Ha lenyomva tartja a gombot **(R)** 5 másodpercig – ami után a kijelzőn 4500 érték jelenik meg -, majd elengedi a gombot, a mérő a 4500 órás értékről fog visszaszámolni. Ezt a menüpontot kell használni például olyankor, amikor kicserélte az izzót, vagy ha megváltoztatta a mérő kijelzést, és vissza akar térni a gyári beállításokhoz.

- **”UP”** jelentése (fel): Ennek a menüpontnak a segítségével megnövelheti a mérő kijelzését a kívánt idő jelzésére.

A készülék a menüpont kiválasztását úgy jelzi, hogy a kiválasztott felhasználói beállítás „UP” és a mérő kijelzés felváltva villog a kijelzőn. Ezután tartsa lenyomva a gombot **(R)** 5 másodpercig. 5 másodperc után a kijelzőn csak az „UP” felirat lesz látható. Ekkor elengedheti a gombot.

A gomb rövid megnyomásával a számláló értéke 500 órás lépésekben növelhető a 4500 órától a 9999-es maximális értékig. A megnövelt érték és az „UP” felirat felváltva villog a kijelzőn.

Ha beállította a kívánt órajelzést, várjon 10 másodpercig. 10 másodperc után a kijelzőn a beállított órajelzés látható, és a számláló elkezd visszafele számolni.

Ha hibásan állította be az órajelzést, tartsa lenyomva a gombot 5 másodpercig, hogy a kijelzés visszaálljon a 4500 órás alaphelyzetbe. Ekkor a számláló értéke 4500 óra lesz, és beállíthatja az új értéket.

- **”dn”** jelentése (le): Ennek a menüpontnak a segítségével lecsökkentheti a mérő kijelzését a kívánt idő jelzésére.

A készülék a menüpont kiválasztását úgy jelzi, hogy a kiválasztott felhasználói beállítás „dn” és a mérő kijelzés felváltva villog a kijelzőn. Ezután tartsa lenyomva a gombot **(R)** 5 másodpercig. 5 másodperc után a kijelzőn csak a „dn” felirat lesz látható. Ekkor elengedheti a gombot.

A gomb rövid megnyomásával a számláló értéke 500 órás lépésekben csökkenthető a 4500 órától a 0000 minimális értékig. A lecsökkentett érték és a „dn” felirat felváltva villog a kijelzőn.

Ha beállította a kívánt órajelzést, várjon 10 másodpercig. 10 másodperc után a kijelzőn a beállított órajelzés látható, és a számláló elkezd visszafele számolni.

Ha hibásan állította be az órajelzést, tartsa lenyomva a gombot 5 másodpercig, hogy visszaállítsa a kijelzést a 4500 órás alaphelyzetbe. Ekkor a számláló értéke 4500 óra lesz, és beállíthatja az új értéket.

Az időmérő az alábbi módon jelzi, ha cserélni kell az izzót:

- A 0672 óra kijelzéstől kezdve a kijelző másodpercenként villog. Az izzót 4 héten belül ki kell cserélni.
- A 0336 óra kijelzéstől kezdve a kijelző fél másodpercenként villog; Az izzót 2 héten belül ki kell cserélni.
- A 0168 óra kijelzéstől kezdve a kijelző negyed másodpercenként villog; Az izzót 1 héten belül ki kell cserélni.
- 0000 óra kijelzésnél a számjegyek folyamatosan villognak, és a számláló nem számol tovább visszafelé. Ki kell cserélni az izzót.

Szűrés / karbantartás

A készülék karbantartása / szűrés esetén mindig kapcsolja le az áramellátást.

A készüléket évente kétszer meg kell tisztítani. Fokozott alga és/vagy vízkő lerakódás esetén meg kell tisztítani az izzót magába foglaló kvarcüveg csövet **(M)**. A speciális izzót legkésőbb 4500 üzemóra után ki kell cserélni. A rozsdamentes acél belső részt puha kefével kell megtisztítani.

1 Csavarozza ki a három részes csatlakozót **(I)**, és ürítse ki a vizet a készülékből.

2 Csavarozza ki a menetes sapkát **(N)**, és csatlakoztassa le az izzót **(K)** az izzótartóról **(L)**. Vegye ki az izzót a kvarcüvegből, és ha szükséges, cserélje ki a speciális izzót **(K)**. Mivel ezek az alkatrészek törékenyek, fokozott óvatossággal járjon el.

3 Óvatosan szerelje ki a kvarcüveget **(M)** egy nagy, lapos csavarhúzó segítségével **(lásd a 3. sz. rajzot)**. Ne erőltesse!

4 Tisztítsa meg a kvarcüveget megfelelő tisztítószerezrel. Mindig puha rongyot használjon az üveg tisztításához, nehogy megkarcolja.

5 Ügyeljen a 3 tömítőgyűrű **(P)** megfelelő felhelyezésére a kvarcüveg cseréjekor a házban, és óvatosan helyezze be a kvarcüveget a helyére

(Q) (lásd a 4. sz. rajzot). Ne erőltesse!

- 6 Óvatosan helyezze be az izzót a kvarcüvegbe, és csatlakoztassa az izzót **(K)** az izzótartóhoz **(L)**. Csavarozza vissza a csavaros sapkát **(N)** a házra.
- 7 A készülék elektromos egysége a készülék kijelződobozában **(S)** található. A kijelződoboz le van ragasztva és nem nyitható ki. Ha az elektromos egységet vagy a kijelzőt cserélni kell, az egész dobozt le kell csavarozni, és a vezetékeket le kell csatlakoztatni a készülékről **(lásd az 1. sz. rajzot)**. Csavarozza le a menetes tetőt **(N)**, és óvatosan szerelje le az izzótartót az izzóról. A kiszertelt alkatrészeket a földelésnél stb. gondosan meg kell őrizni, mivel azokat nem szállítjuk az új házzal vagy elektromos egységgel. Ha nem ért valamit a bekötésekkel kapcsolatban, beszéljen szakemberrel.
- 8 Ha a házat ki kell cserélni, a földelést **(J)** és a kijelzővel rendelkező elektromos egységet **(S)** kell először lecsatlakoztatni a házról **(U) (lásd az 1. és 2. sz. rajzot)**. Csavarozza le a kijelzővel rendelkező elektromos egységet **(S)** és az izzótartót a házról. Gondosan őrizze meg a földelést és szerelt alkatrészeit, mivel azokat nem szállítjuk az új házzal. Szerelje ki az izzót **(K)** és a kvarcüveget **(M)** a házból, nehogy azok megsérüljenek a szállítás során. Ha nem ért valamit a bekötésekkel kapcsolatban, beszéljen szakemberrel.
- 9 Válassza le az áramláskapcsolót a ragasztható aljzatról. Csavarozza ki a háromrészes csatlakozót, és szerelje le a házat a csőbilincsekről.

Műszaki adatok

• Philips TUV T5 izzó	130 Watt
• UV-C teljesítmény (W)	50 Watt
• UV-C (%) 4 500 óra után	85%
• Medence térfogat (l)	150 000 l
• Max. áteresztőképesség	30 000 l/óra
• Max. nyomás	3 bar
• Csatlakozási méret	Ø 63 mm
• A készülék hossza	100 cm

UV-C rendszertípusok

Cikkszám: B210006 Blue Lagoon UV-C Timer150 000 l / 130 Watt (230 V; 50/60 Hz)

Csereizzők

Cikkszám: E800904 izzó, TUV 130 Watt 4P-SE Amalgam típus (130 Watt)

Garancia feltételek

Őn kitűnő döntést hozott azzal, hogy ezt a terméket választotta. Az eszközt gondosan szereltük össze, az összes vonatkozó biztonsági előírás figyelembevételével. A szállító a minőségre való tekintettel kizárólag jó minőségű anyagokat használt fel a termék gyártása során, és a vásárlástól számítva 2 év garanciát biztosít az eszközre, amely egyaránt kiterjed az anyaghibákra és a gyártás során keletkezett hibákra. A garancia nem terjed ki az izzóra és a kvarcüvegre. A garanciális igényekkel csak akkor foglalkozunk, ha a terméket a vásárlást igazoló érvényes nyugttával együtt postai díj kifizetésével küldik vissza. Garanciális javítást kizárólag csak a szállító végezhet.

A készülék nem megfelelő beszerelésére vagy kezelésére visszavezethető hibák miatti garanciális igényekkel nem foglalkozunk. A nem megfelelő karbantartás miatti meghibásodásokra szintén nem vonatkozik a garancia. A szállító semmilyen módon sem felel a termék helytelen használatából eredő károkért. A szállító nem felel a készülék meghibásodása miatt bekövetkező járulékos károkért. A szállítási sérülésekkel kapcsolatos panaszokkal csak akkor foglalkozunk, ha a kárt a szállító vagy a posta általi kiszállításkor megállapították, illetve igazolták. Kárigény csak a szállítóval vagy a postával szemben érvényesíthető ebben az esetben.

Дезинфицирующее устройство Blue Lagoon UV-C Timer 150.000 Amalgam RU

Перед установкой устройства внимательно ознакомьтесь с данной инструкцией по эксплуатации.

Принцип работы

Ультрафиолетовая лампа фирмы Philips, установленная в устройстве Blue Lagoon UV-C Timer, излучает свет диапазона UV-C с длиной волны 253.7 нм, смертельный для бактерий (включая бактерии Legionella). Устройство Blue Lagoon UV-C Timer эффективно и без вреда для окружающей среды поддерживает воду в вашем бассейне в чистом, свежем и прозрачном состоянии. Вода прокачивается через устройство облучения UV-C с помощью насоса. Ультрафиолетовый свет диапазона UV-C обезвреживает бактерии, вирусы и другие низшие организмы и останавливает их размножение. Амальгамная лампа представляет собой источник излучения UV-C со стабильной выходной мощностью 50 Вт, не зависящей от изменений температуры воды. Устройство Amalgam UV-C превосходит по мощности все другие представленные на рынке источники излучения UV-C. Дезинфицирующее устройство Blue Lagoon UV-C Timer имеет встроенный электронный балласт, который сглаживает колебания тока, защищая лампу. Кроме того, в устройстве встроены таймер, который точно учитывает количество наработанных часов. Это позволяет точно определить, когда необходимо менять лампу. Внутренность устройства, выполненная из нержавеющей стали, отражает ультрафиолетовый свет, что дополнительно увеличивает эффективность облучения на величину до 35%. Устройство Blue Lagoon UV-C Timer эффективно и безопасно дезинфицирует воду вашего бассейна, поддерживая ее в великолепном состоянии. Устройство оснащено универсальными соединителями и может устанавливаться на трубу из ПВХ Ø 50 или 63 мм.

Преимущества обработки ультрафиолетом UV-C:

- Гарантирует свежую, чистую и прозрачную воду
- Эффективно и безопасно дезинфицирует воду
- Ультрафиолетовое излучение UV-C разрушает связанный хлор
- Защищает бассейн от микробов
- Препятствует образованию плесени, бактериального налета и водорослей
- Позволяет снизить использование хлора и других химикатов на величину до 80%
- Избавляет от запаха хлора и раздражения кожи и глаз (“красные глаза”)
- Более экологичная методика, чем традиционные

Характеристики устройства Blue Lagoon UV-C Timer:

- Встроенный электронный регулятор, обеспечивающий более стабильное питание
- Встроенное реле расхода, которое отключает устройство при отсутствии течения воды.
- Повышение интенсивности излучения UV-C на величину до 35% благодаря корпусу из нержавеющей стали
- Мощность выходного излучения 50 Вт.
- Комплектуется лампой UV-C производства Philips
- Встроенный регулируемый таймер для лампы UV-C
- Цветовой индикатор необходимости замены лампы
- Корпус из нержавеющей стали 316L
- Простота установки и технического обслуживания
- 2-летняя гарантия от производственных дефектов
- Заземление
- Переходники Ø63 мм - Ø50 мм в комплекте поставки

Техника безопасности

Это устройство создает опасное излучение, прямое воздействие которого может повредить глаза и кожу. Проверьте работу лампы UV-C только через прозрачные детали устройства.

- Включайте устройство только в розетку с защитной крышкой
- Обязательно соблюдайте все требования электроснабжающей организации по постоянному подключению оборудования к сети. При любых сомнениях обратитесь к сертифицированному установщику или к электроснабжающей организации. Подключайте устройство только через автомат УЗО.
- Выключайте устройство при использовании химических средств обработки воды или медикаментов.
- Прежде чем проводить техническое обслуживание или ремонт устройства, обязательно отключайте вилку устройства от розетки. Не вставляйте вилку устройства в розетку и не выдергивайте ее стоя в воде или мокрыми руками.
- Запрещается погружать устройство в воду.
- Запрещается устанавливать устройство в месте, подверженном воздействию открытого солнечного света.

- Не допускайте детей к устройству и кабелю питания.
- Запрещается заменять кабель питания устройства. При любом повреждении кабеля питания необходимо заменить весь электрический блок целиком. Не демонтируйте вилку и не разбирайте электрический блок. При снятии электрической вилки гарантия на электрический блок аннулируется.
- После выключения устройства лампа остается горячей в течение примерно 10 минут.
- Не пользуйтесь устройством при повреждении каких-либо компонентов (особенно кварцевой трубки).
- Демонтируйте устройство на зиму, если есть риск замерзания.
- Корпус устройства, выполненный из нержавеющей стали, не рассчитан на работу в соленой воде с высоким содержанием солей. При высоком содержании солей возможна коррозия корпуса, которая приведет к неустраняемому повреждению устройства. Устройство необходимо устанавливать сразу после фильтра.
- Устройство разрешается использовать только в строгом соответствии с данной инструкцией по эксплуатации.

Подключение заземления (рис. 1)

- 1 Пропустите кабель (В) через пластиковый держатель (F) и затем наденьте держатель (F) на болт заземления (А). Расположите держатель (F) на расстоянии примерно 10 см от клеммы (H) кабеля заземления (B).
- 2 Наденьте клемму (H) кабеля (B) на болт заземления (А), находящийся на корпусе.
- 3 Установите поверх клеммы (H) зубчатую стопорную шайбу (С), шестигранную гайку (D) и вторую зубчатую стопорную шайбу (E).
- 4 Наденьте сверху держатель (F), чтобы образовалась петля Ø5 см.
- 5 Наверните стопорную гайку (G) на болт заземления (А).
- 6 Установив все гайки на болт заземления (А) в правильном порядке, затяните их рожковым или кольцевым ключом №8. Не затягивайте слишком сильно, чтобы держатель не треснул. (Прозрачная гайка, которая была накручена на болт заземления (А) при поставке, больше не потребуется, и ее можно выбросить).

Установка устройства (Рис. 2)

Запрещается устанавливать устройство Blue Lagoon UV-C Timer после регулятора pH или установки электролиза солей бассейна. Наилучшее местоположение устройства - после насоса и фильтра. Запрещается погружать устройство в воду. Устройство устанавливается вне бассейна. Обязательно оставьте свободное место примерно 1 м, чтобы можно было снять лампу (K) / кварцевую трубку (M) для замены и/или технического обслуживания.

- 1 Устанавливайте устройство только в вертикальном положении.
- 2 Свинтите резьбовое кольцо (N) с корпуса (U). Выньте лампу UV-C (K) из футляра (см. комплект поставки) и аккуратно вставьте ее в кварцевую трубку (M). Аккуратно присоедините белый патрон (L) к лампе UV-C (K) и навинтите резьбовое кольцо (N) на корпус (U), затянув его рукой.
- 3 Приклейте клеевое гнездо для реле расхода (V) к тройнику-соединителю (I) так, чтобы винтовой шутицер (W) был направлен вверх (см. рис. 2). Рекомендуется приклеивать клеевое гнездо (V) к нижнему тройнику (I). Установите реле расхода (X) в сборе с электронным регулятором (S) в перпендикулярный резьбовой шутицер (U) клеевого гнезда (V) (см. рис. 2). При неправильной установке реле расхода устройство работать не будет. Стрелка сверху на реле расхода (X) должна указывать в направлении течения воды. Если стрелка будет обращена в другую сторону (против течения), устройство Blue Lagoon UV-C Amalgam не будет включаться.
- 4 Установите прилагаемые зажимы (O) в соответствующие положения, вставьте с усилием устройство в зажимы и затяните тройник-соединитель (I). Обратите внимание на правильность положения уплотнительных колец (P) относительно соединителей и кварцевой трубки (см. рис. 2).
- 5 Присоедините устройство к трубопроводу через тройник (I) и клеевое гнездо (V). Вход и выход тройников имеют Ø 63 мм. Если диаметр ваших труб меньше 63 мм, можно использовать переходник (Ø 63 x Ø 50 мм) (Т). Тройник (I) и клеевое гнездо (V) для реле расхода можно посадить на клей. С одной стороны переходник (Т) имеет внутреннюю резьбу, что позволяет при необходимости присоединить к нему еще один переходник с уплотнительным кольцом (не входит в комплект поставки).
- 6 Включите насос и проверьте протекание воды через систему и отсутствие утечек.
- 7 Включите вилку устройства в розетку, снабженную защитным заземлением и подключенную через автомат УЗО. Проверьте через прозрачные детали устройства, что лампа горит. Для выключения устройства выньте вилку из розетки.
- 8 Реле расхода автоматически выключает устройство при отсутствии потока воды. Для полного отключения устройства можно вынуть вилку из розетки.

Использование цифрового таймера

После включения устройства Blue Lagoon UV-C Timer запускается программа самотестирования. На дисплее последовательно отображаются следующие данные: 8888 (проверка дисплея) ; г и номер версии программного обеспечения ; 50Н или 60Н (частота сети)

После этого на дисплее появляется значение таймера.

При первом включении лампы UV-C или после операции сброса на дисплее отображается число 4500. Точка рядом с крайней правой цифрой дисплея будет мигать раз в секунду; это означает, что таймер работает.

На дисплее автоматически отображается значение заводской настройки - 4500 часов. Лампа UV-C способна работать со 100%-ной отдачей до 4500 часов. После 4500 часов излучение начинает ослабевать и может стать недостаточным для достижения желаемого результата.

При включении лампы UV-C, которая раньше была в работе, на дисплее отображается значение, которое было при выключении.

Если вы увеличивали или уменьшали значение таймера вручную, на дисплее будет показано последнее значение, которое было на нем перед выключением.

Показания таймера можно при желании менять. Для этого:

Нажмите на кнопку **(R)** под дисплеем на 5 секунд. На дисплее появится индикация "rSt", указывающая, что выбрано пользовательские меню. После отпускания кнопки **(R)** на индикаторе будут попеременно мигать показания таймера и "rSt". Теперь, коротко нажимая на кнопку, можно двигаться по пунктам меню. Меню имеет 3 пункта: "**rSt**", "**UP**" и "**dn**".

- "**rSt**" означает "сброс". Этот пункт позволяет сбросить показания таймера к заводскому значению (4500 часов).

Когда выбран этот пункт, на дисплее попеременно мигают показания счетчика и "rSt". Если нажать кнопку **(R)** на 5 секунд, на дисплее появится индикация 4500. Если теперь отпустить кнопку, отсчет таймера начнется заново с 4500 часов. Это делается, например, если вы заменили лампу или изменили показания таймера вручную и хотите вернуть их к заводскому значению.

- "**UP**" означает "вверх": Этот пункт позволяет увеличить показания таймера до желаемого значения.

Когда выбран этот пункт, на дисплее попеременно мигают "UP" и показания таймера. После этого нажмите кнопку **(R)** на 5 секунд.

Через 5 секунд на дисплее появится постоянная индикация "UP". После этого можно отпустить кнопку.

Теперь, коротко нажимая на кнопку, можно увеличивать значение таймера с шагом 500 часов от значения 4500 до максимально возможного значения 9999. На дисплее будут попеременно мигать новое значение и "UP".

Дойдя до желаемого значения, подождите 10 секунд. Через 10 секунд желаемое значение отобразится на дисплее, и таймер начнет отсчет с него.

Если вы ошиблись при увеличении значения таймера, можно сбросить таймер на 4500, нажав кнопку на 5 секунд. Таймер будет сброшен на 4500, и установку можно будет начать заново.

- "**dn**" означает "вниз": Этот пункт позволяет уменьшить показания таймера до желаемого значения.

Когда выбран этот пункт, на дисплее попеременно мигают "dn" и показания таймера. После этого нажмите кнопку **(R)** на 5 секунд.

Через 5 секунд на дисплее появится постоянная индикация "dn". После этого можно отпустить кнопку.

Теперь, коротко нажимая на кнопку, можно уменьшать значение таймера с шагом 500 часов от значения 4500 до минимально возможного значения 0000. На дисплее будут попеременно мигать новое значение и "dn".

Дойдя до желаемого значения, подождите 10 секунд. Через 10 секунд желаемое значение отобразится на дисплее, и таймер начнет отсчет с него.

Если вы ошиблись при уменьшении значения таймера, можно сбросить таймер на 4500, нажав кнопку на 5 секунд. Таймер будет сброшен на 4500, и установку можно будет начать заново.

Таймер показывает необходимость замены лампы следующим образом:

- Начиная с часа 0672: дисплей будет мигать каждую секунду. Лампу необходимо заменить в ближайшие 4 недели.
- Начиная с часа 0336: дисплей будет мигать каждые полсекунды; лампу необходимо заменить в ближайшие 2 недели.
- Начиная с часа 0168: дисплей будет мигать каждую ¼ секунды; лампу необходимо заменить в ближайшую неделю.
- При показаниях 0000: цифры будут мигать непрерывно, отсчет таймера прекратится. Лампу необходимо заменить.

Демонтаж и техническое обслуживание

Перед техническим обслуживанием или демонтажом устройства обязательно отключите электропитание.

Устройство необходимо чистить два раза в год. При появлении водорослей и/или накипи необходимо очистить трубку из кварцевого стекла **(M)**, в которой находится лампа. Специальную лампу необходимо менять не более чем через 4.500 часов работы. Внутренность корпуса из нержавеющей стали можно чистить мягкой щеткой.

1 Развинтите тройники **(I)** и слейте воду из устройства .

2 Отверните резьбовую крышку **(N)** и отсоедините лампу **(K)** от патрона **(L)**. Выньте лампу **(K)** из кварцевой трубки и при необходимости замените. Будьте предельно осторожны, эти детали очень хрупкие.

3 Аккуратно выньте кварцевую трубку **(M)** с помощью большой плоской отвертки **(см. рис. 3)**. Не прикладывайте силу!

- 4 Очистите кварцевую трубку подходящим чистящим средством. Во избежание образования царапин при очистке пользуйтесь только мягкой тканью.
- 5 При установке кварцевой трубки в корпус обратите внимание на правильность положения трех уплотнительных колец (**P**) и аккуратно вставьте конец кварцевой трубки во входное отверстие(**Q**) (см. рис. 4). Не прикладывайте силу!
- 6 Аккуратно вставьте лампу (**K**) в кварцевую трубку и подключите лампу к патрону (**L**). Наверните резьбовую крышку (**N**) на корпус.
- 7 Электрический блок устройства располагается в пульте управления (**S**) устройства. Пульт загерметизирован и вскрытию не подлежит. Для замены электрического блока или дисплея необходимо отвинтить весь пульт управления и отсоединить провода от устройства (см. рис. 1). Отверните верхнюю крышку (**N**) и аккуратно снимите патрон с лампы. Сохраняйте все освободившиеся детали, например, от заземления и т.п., поскольку они не входят в комплект поставки нового корпуса или электрического блока. Если при подключении возникнут сомнения, обратитесь к опытному специалисту по установке.
- 8 Если необходимо заменить корпус, сначала отсоедините от корпуса (**U**) заземление (**J**) и электрический блок с дисплеем (**S**) (см. рис. 1 и 2). Отвинтите электрический блок с дисплеем (**S**) и патрон лампы от корпуса. Сохраняйте все освободившиеся детали заземления, поскольку они не входят в комплект поставки нового корпуса. Выньте лампу (**K**) и кварцевую трубку (**M**) из корпуса, чтобы они не разбились при транспортировке. Если при подключении возникнут сомнения, обратитесь к опытному специалисту по установке.
- 9 Снимите реле расхода с клевого гнезда. Развинтите тройники и снимите корпус с крепежных хомутов.

Технические характеристики

• Лампа Philips TUV T5 C	130 Вт
• Мощность излучения UV-C (Вт)	50 Вт
• Интенсивность излучения UV-C (%) после 4500 часов	85%
• Объем бассейна (л)	150000 л
• Макс. пропускная способность	30000 л/ч
• Макс. давление	3 бар
• Присоединительный размер	Ø63 мм
• Длина устройства	100 см

Типы систем UV-C

Артикул: B210006 Blue Lagoon UV-C Timer 150000 л / 130 Вт (230 В; 50/60 Гц)

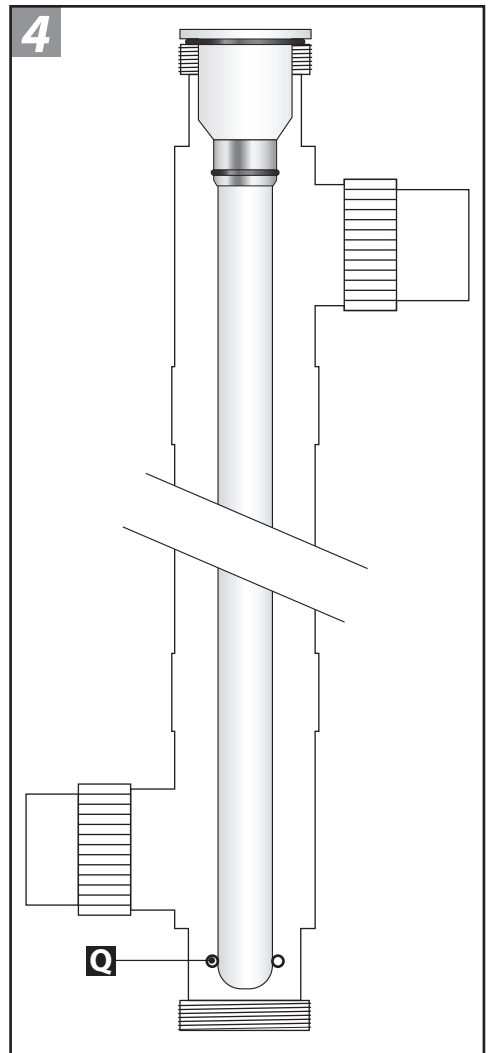
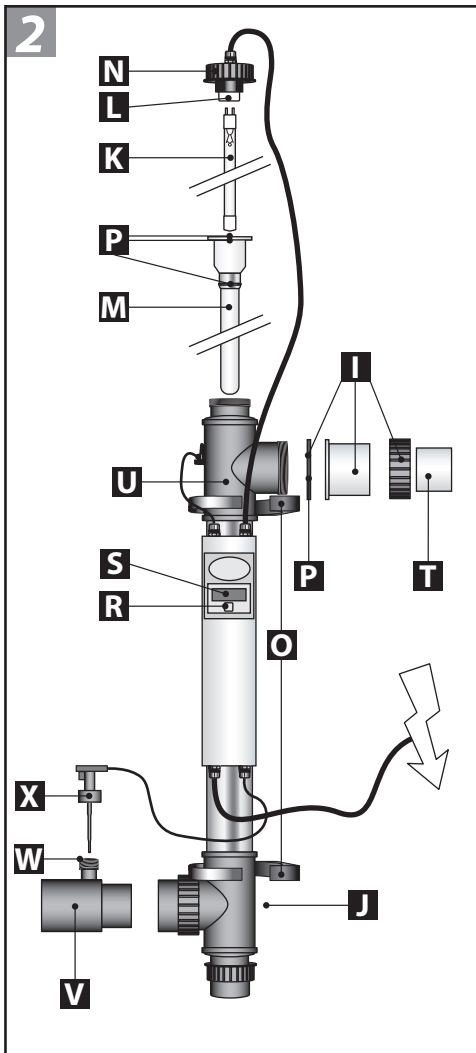
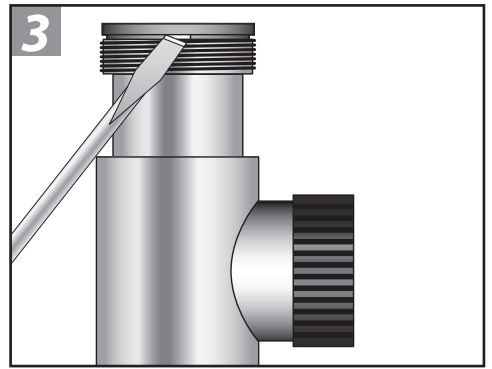
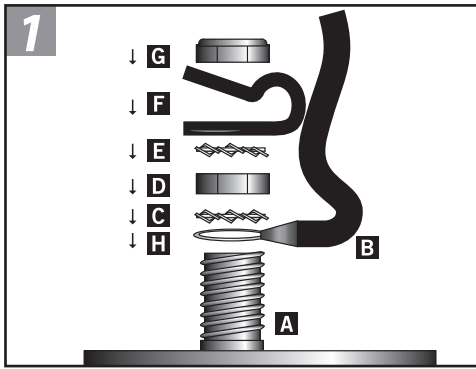
Запасные лампы

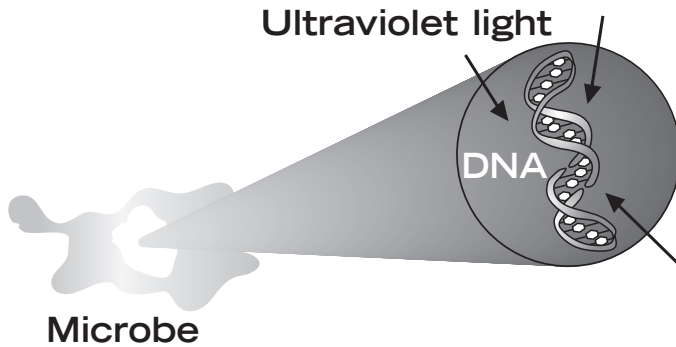
Артикул: E800904 тип TUV 130 Вт 4P-SE (130 Вт)

Условия гарантии

Приобретя наше устройство, Вы сделали правильный выбор. Устройство собрано с максимальной тщательностью и в соответствии со всеми действующими нормативами по безопасности. Для обеспечения качества изготовитель использует только высококачественные материалы. Изготовитель предоставляет гарантию на материалы и сборку на 2 года со дня покупки. Гарантия не распространяется на лампу и кварцевую трубку. Гарантийные претензии принимаются только при возврате изделия с предоплаченными почтовыми расходами с приложением подлинника документа, подтверждающего покупку. Гарантийный ремонт производится только поставщиком.

Гарантийные претензии по неисправностям, вызванным нарушениями при установке или эксплуатации устройства, не принимаются. Гарантия не распространяется на неисправности, обусловленные ненадлежащим техническим обслуживанием. Поставщик не несет ответственности за ущерб, вызванный неправильной эксплуатацией устройства. Поставщик не несет ответственности за любой косвенный ущерб, обусловленный неисправностью устройства. Претензии по повреждениям при транспортировке принимаются только в случае, если повреждения обнаружены при доставке и подтверждены перевозчиком или почтовой службой. В этом случае претензии могут быть предъявлены только перевозчику или почтовой службе.





How UV-C works

The molecular structure of the DNA is broken down rendering the microbe harmless

Recycling informatie

Het symbool van de afvalbak op dit product geeft aan dat het product (als het niet meer wordt gebruikt) niet met het reguliere vuilnis mag worden aangeboden, maar dat het op de speciaal hiervoor ingerichte collectiepunten moet worden aangeboden voor recycling. Als alternatief kunt u het product ook aanbieden op het adres waar het is gekocht op het moment dat u een nieuw product koopt. Maar dit mag alleen op basis van 1 op 1. Een gescheiden afvalcollectie is beter voor het milieu en het helpt om door recycling de grondstoffen weer opnieuw te gebruiken. Elke andere manier van afval- verwerking met betrekking op dit product is strafbaar.

NL



Information de recyclage

Le symbole du container barre sur le produit veut dire que le appareil doit être recycle séparé. Le usageur, a la fin du vie de le appareil, doit ramene le appareil a un centre de recyclage des appareils électrique. Une alternative est de le ramene a le vendeur sur le moment de une achat de une nouvelle produit, sur le base 1 sur 1. Une recyclage alternative est tres saine pour le environnement, et aide a une recyclage de materiel, une autre methode de jete le appareil est illegal, et sera puni par la loi.

F

Informationen das Recyclage

Das Kennzeichen auf die Packing bedeutet dass es getrennt, von normalles Müll gesammelt werden muss, wenn das Gerät nicht mehr nutzbar ist. Wenn das Produkt kaputt ist soll der Besitzer es zu ein Sammelpunkt für elektrische Haushaltgeräte bringen. Oder wenn der Besitzer ein neues Gerät kaufen möchte kann Er/Sie das alte Gerät beim Verkäufer hinterlassen, nur 1 um 1 austauschbar. Getrenntes sammlung ist Umwelt freundlich und hilft dazu die alte Materialien neu nutzbar zu machen. Jeder andere / sonstige weise von sammeln ist nicht rechtsgültig.

D

Recycle information

The symbol of the barred bin printed on the product means that it must be collected separately from other rubbish when it will not be anymore in use. The user, at the end of the life of the product, will have to bring it to a proper rubbish collection centre for electric and electrical devices. Alternatively he can return the used product to the seller at the moment he buys a new unit, but only in proportion 1 to 1. A differentiated refuse collection is environmentally friendly and it helps the recycle of the materials, any other collection procedure is unlawful and will be subject to the law in force.

GB

CE
Made in the
Netherlands

